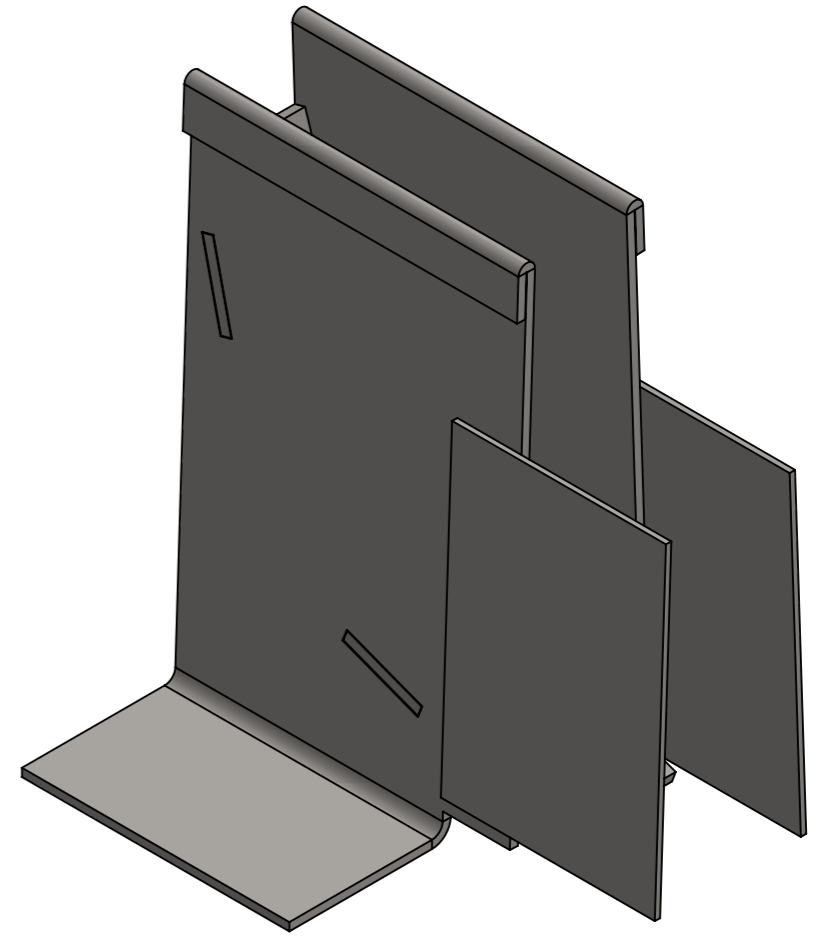
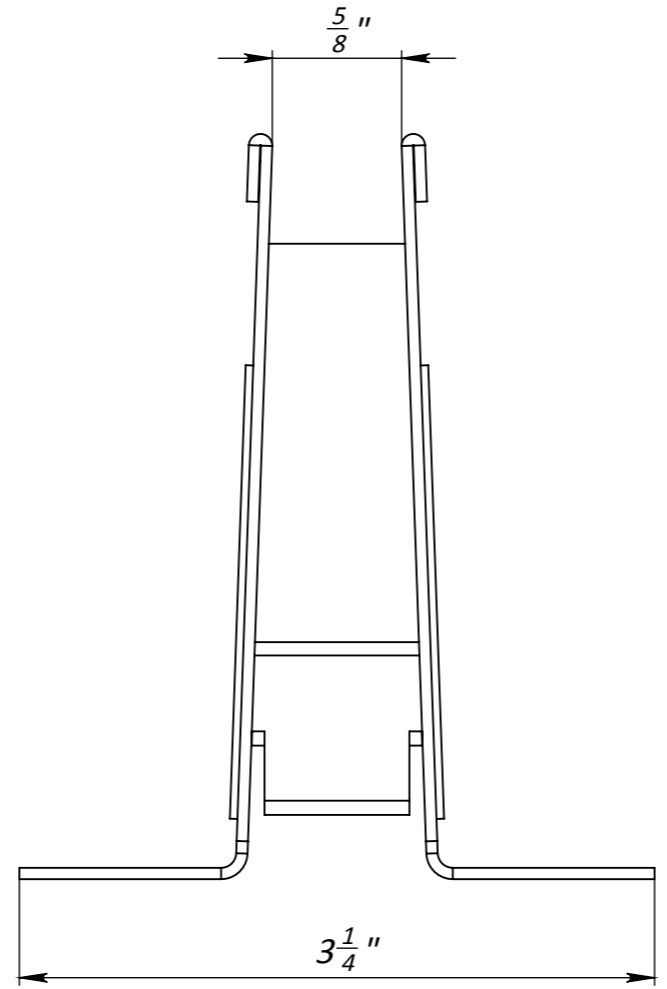
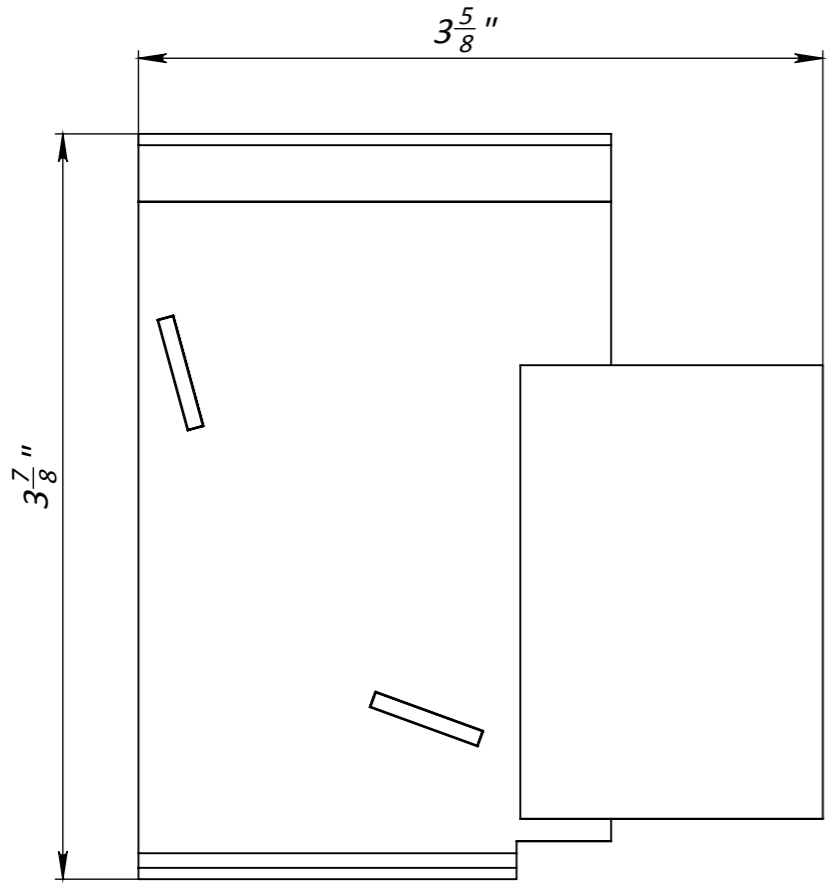



|                |
|----------------|
| Primary Usage  |
| Reference No.  |
| Sign. and date |
| Copy inv. No.  |
| Repl. Inv. No. |
| Sign. and date |
| Orig. Inv. No. |

4" Stainless Steel Corner Adapter



Deviation of the actual weight of the nominal can be up to 10%

|  |  |  |  |  |   |
|--|--|--|--|--|---|
|  |  |  |  |  | Art. 6903-1T-100  |
|  |  |  |  |  | <b>4" Stainless Steel Corner Adapter</b>  |
|  |  |  |  |  | Let. Weight (lb) Scale  |
|  |  |  |  |  | <b>6903-1T-100</b> 0.27 1:2   |
|  |  |  |  |  | Sheet Sheets 1  |
|  |  |  |  |  | Stainless Steel  |