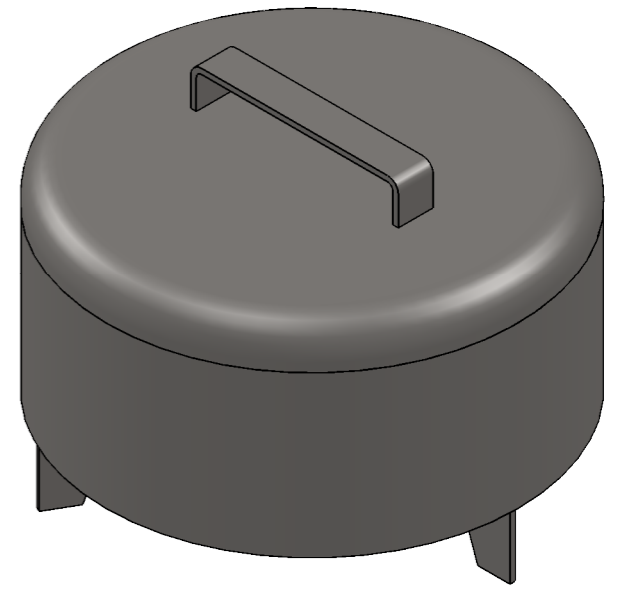
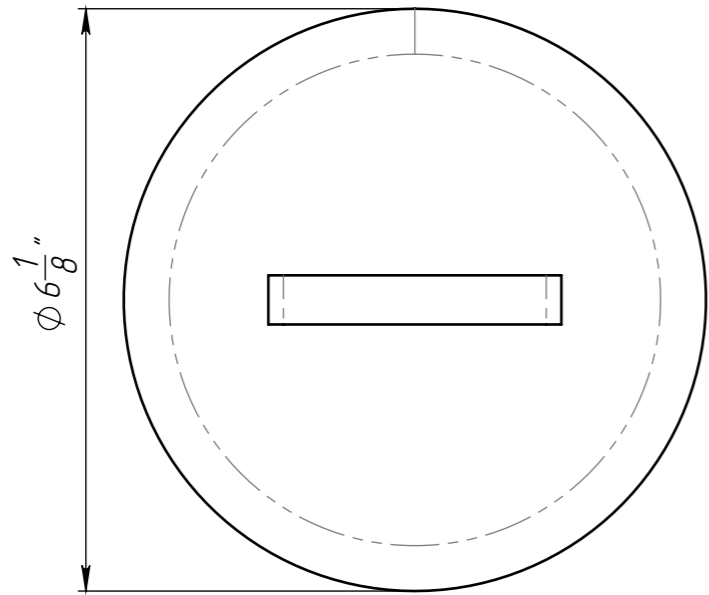
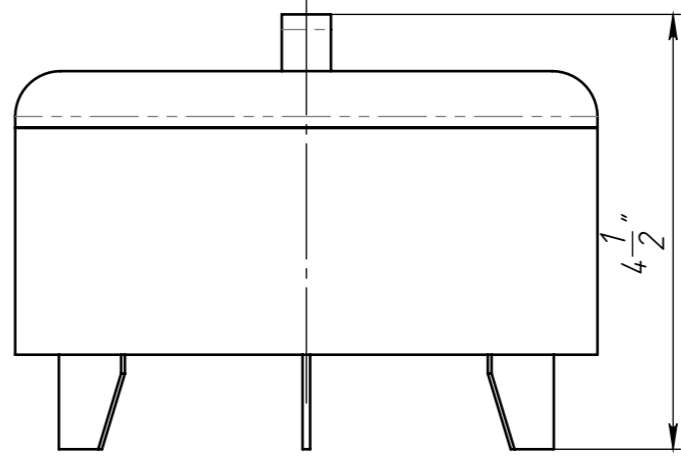
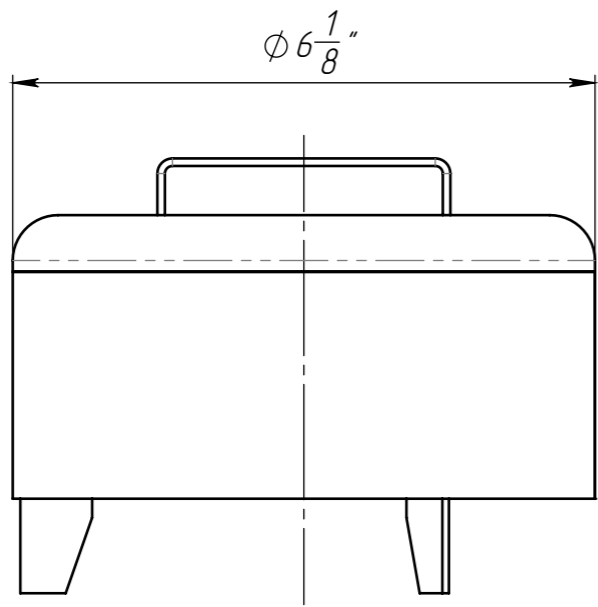


Primary Usage						
Reference No.						
Sign. and date						
Copy inv. No.						
Repl. Inv. No.						
Sign. and date						
Orig. Inv. No.						



					Art. <input type="text"/>			
4" Stainless Steel Siphon								
Rev.	Sheet	Doc. No.	Sign.	Data		Let.	Weight	Scale
								1:2
Dvlpd by		Galushka						
Chkd by								
Tech. Ctrl								
Reg. Doc. Ctrl								
Aprvd by								
Stainless Steel								
					