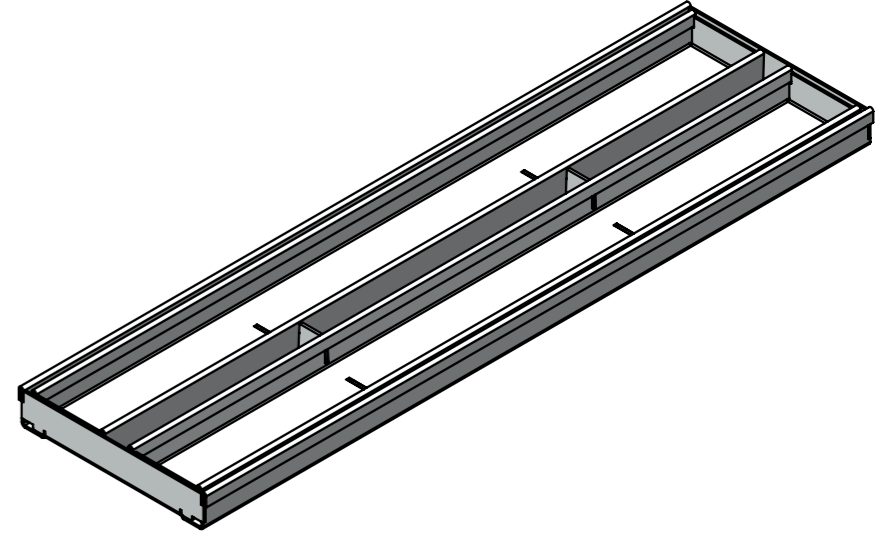
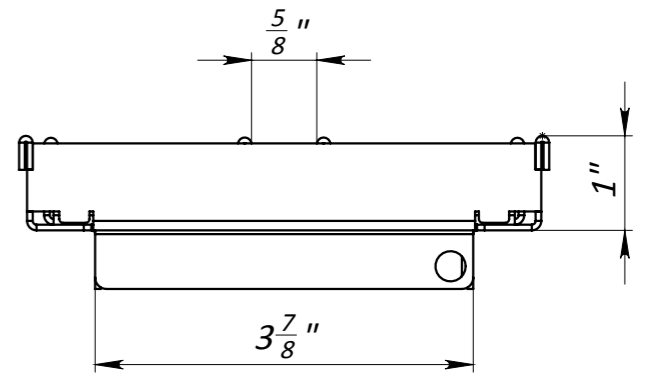
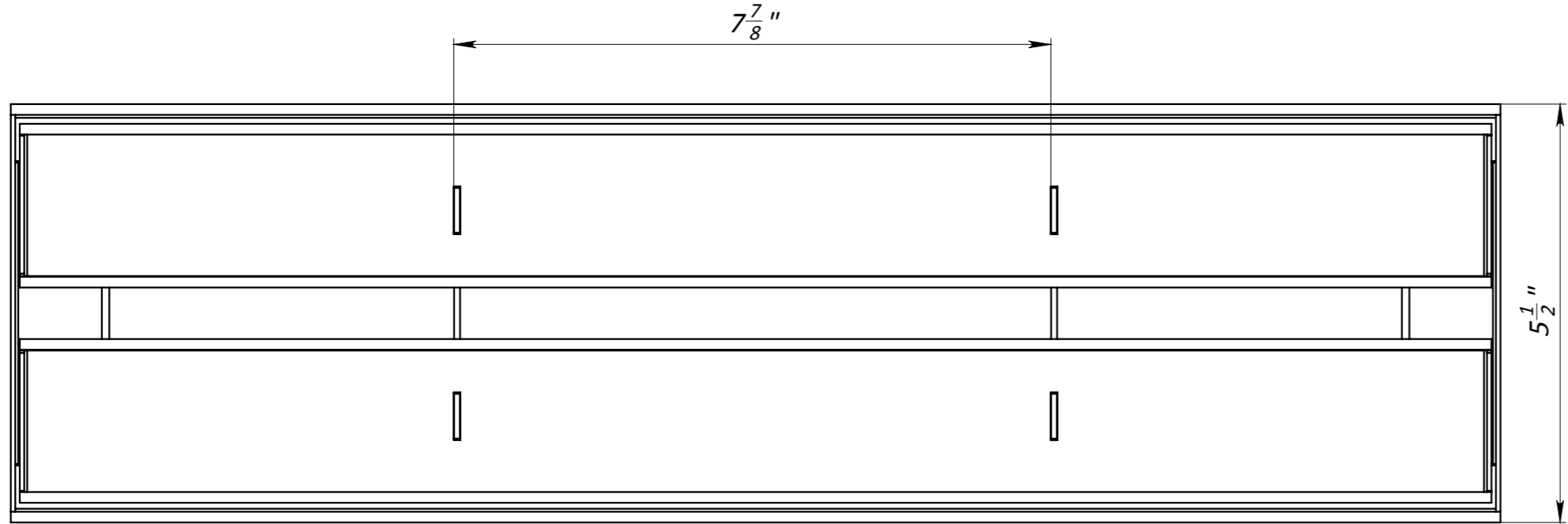
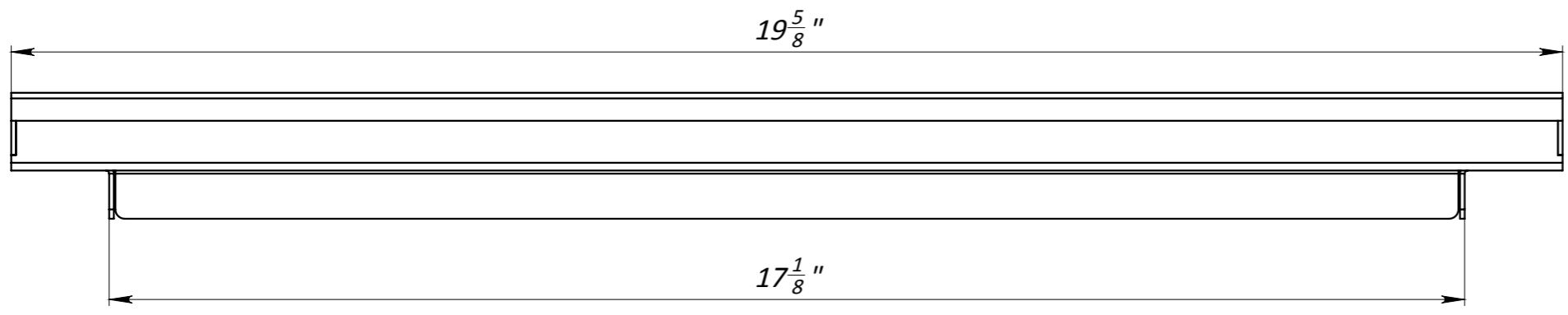


Primary Usage
Reference No.
Sign. and date
Copy inv. No.
Repl. Inv. No.
Sign. and date
Orig. Inv. No.

4" Stainless Steel Revision Micro Slot Drain



- 1. Area of water intake slots 13 sq in
- 2. Deviation of the actual weight of the nominal can be up to 10%

					Art.	20975-1T-25			
					4" Stainless Steel Revision Micro Slot Drain				
Rev.	Sheet	Doc. No.	Sign.	Data	20975-1T-25	Let.	Weight (lb)	Scale	
				11.09.18			5.24	1:2	
						Sheet	Sheets 1		
					Stainless Steel				