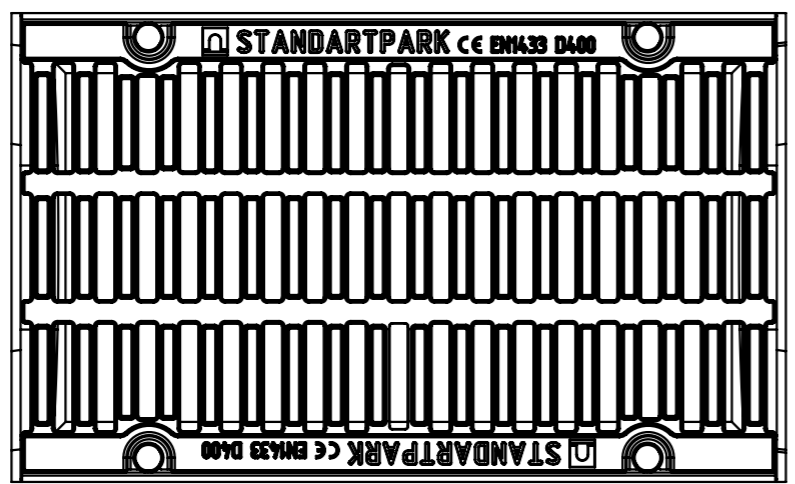
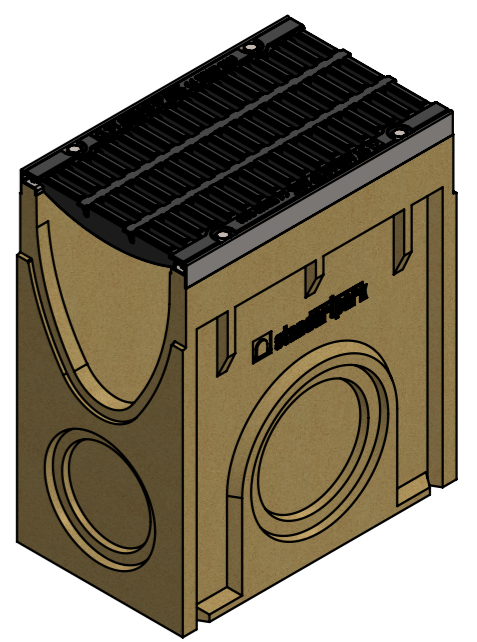
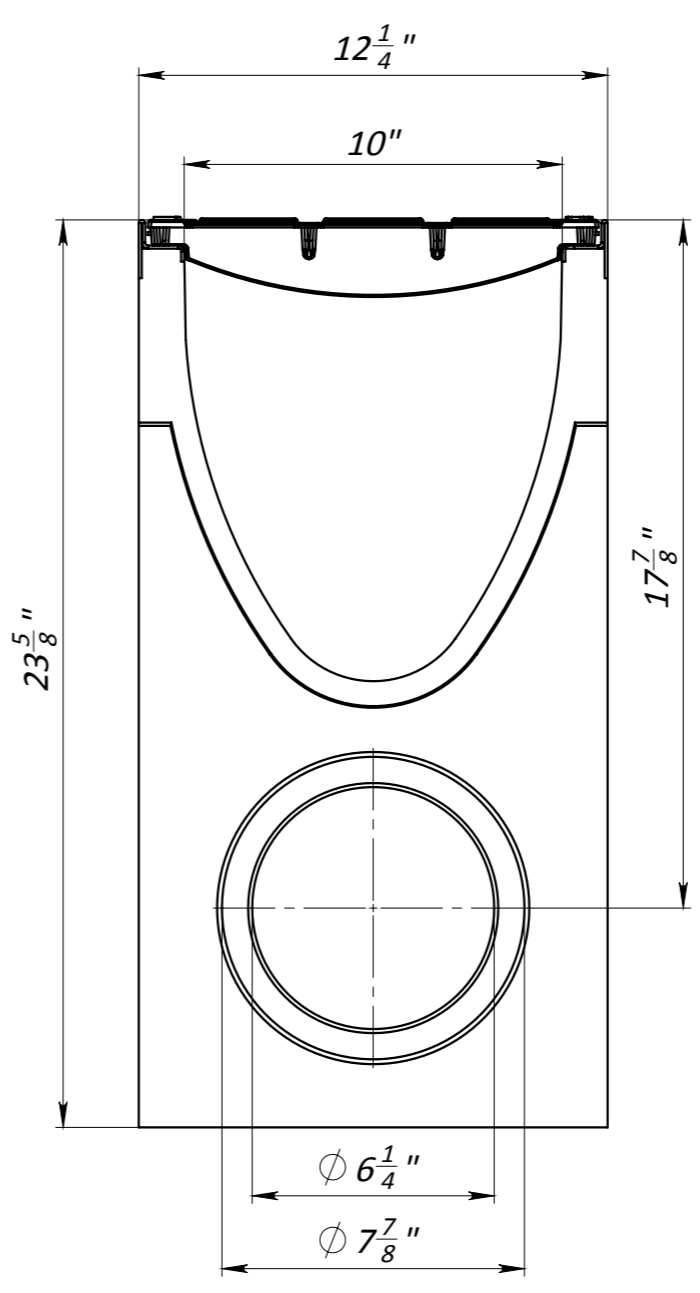
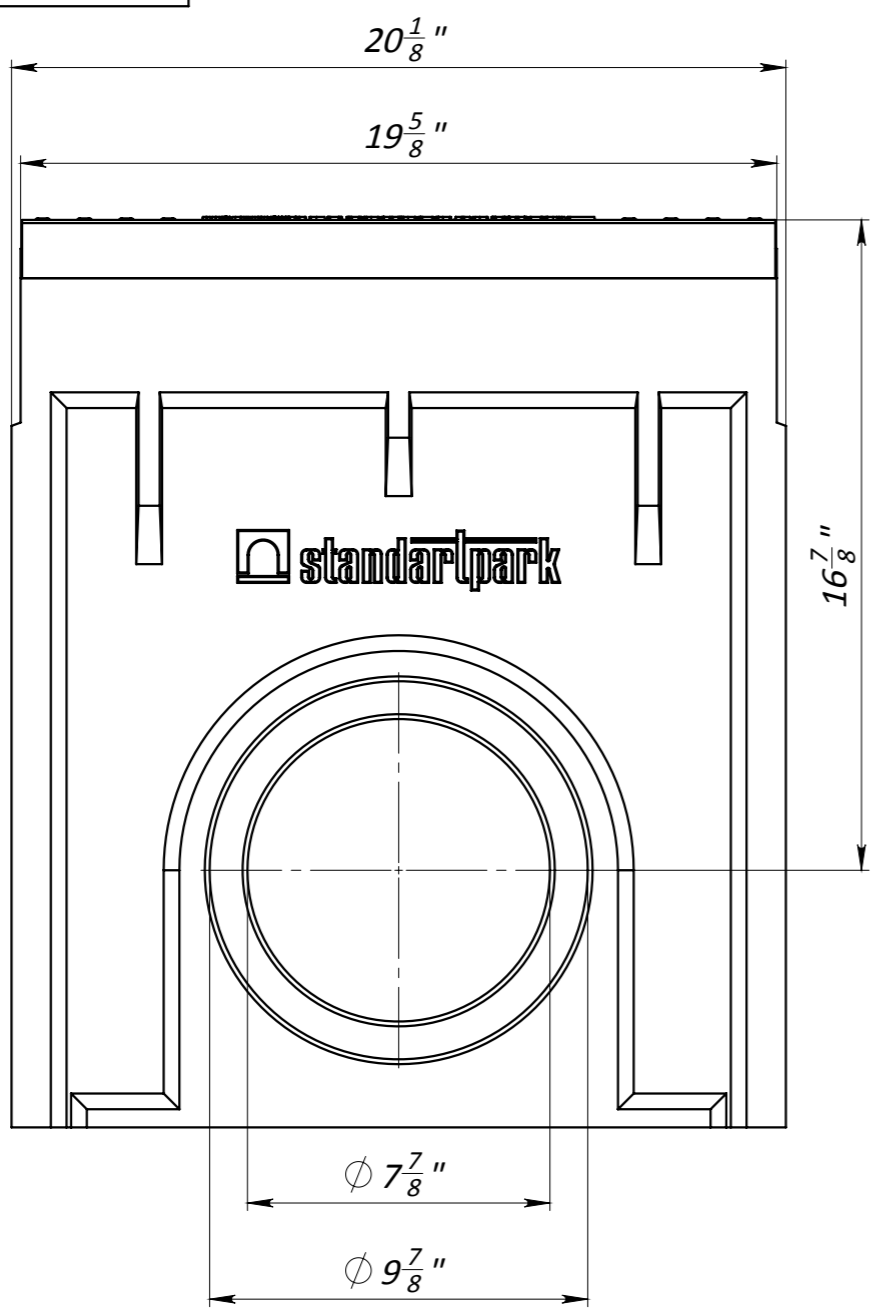


Primary Usage
Reference No.
Sign. and date
Copy inv. No.
Repl. Inv. No.
Sign. and date
Orig. Inv. No.

10" Polymer Concrete Catch Basin



Deviation of the actual weight of the nominal can be up to 8%

					Art. 076871334			
					10" Polymer Concrete Catch Basin			
					NP-CB076871334	Let.	Weight (lb)	Scale
							120.2	1:5
					Load Classes A-D		Sheet	Sheets 1
					Polymer Concrete, Steel, Ductile Cast Iron		