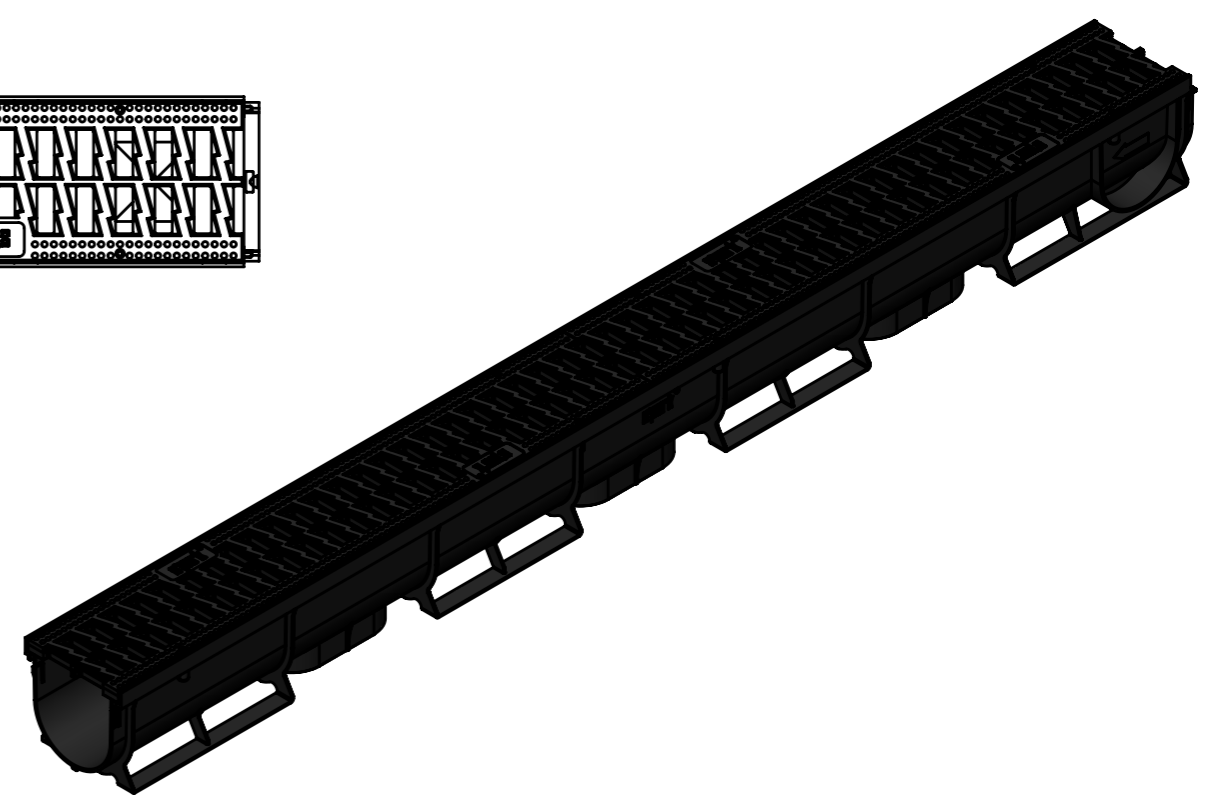
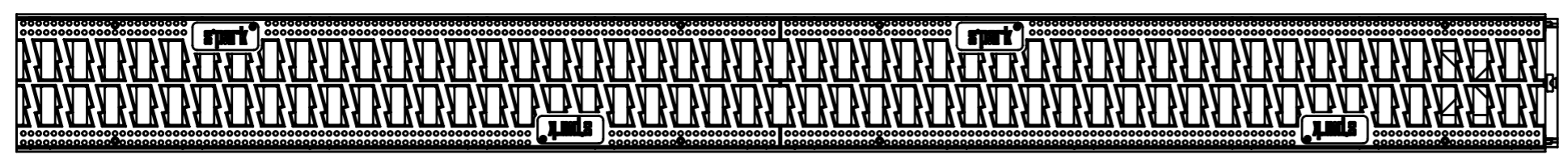
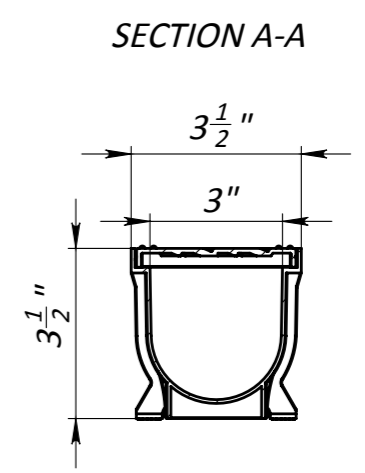
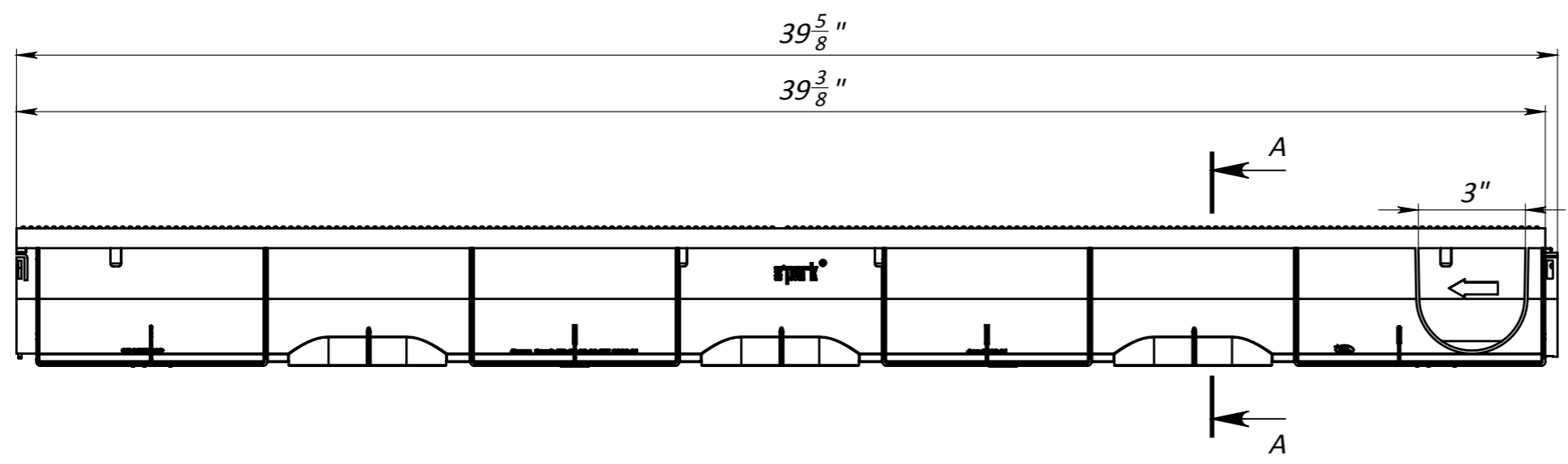


Primary Usage
Reference No.
Sign. and date
Copy inv. No.
Repl. Inv. No.
Sign. and date
Orig. Inv. No.

3" Plastic Channel Spark



- 1. Area of water intake slots 35 sq in
- 2. Deviation of the actual weight of the nominal can be up to 8%

					Art. 088081-M			
					3" Plastic Channel Spark			
Rev.	Sheet	Doc. No.	Sign.	Data	088081-M	Let.	Weight (lb)	Scale
				11.09.18			1.6	1:4
					Load Class A	Sheet	Sheets 1	
					Plastic			