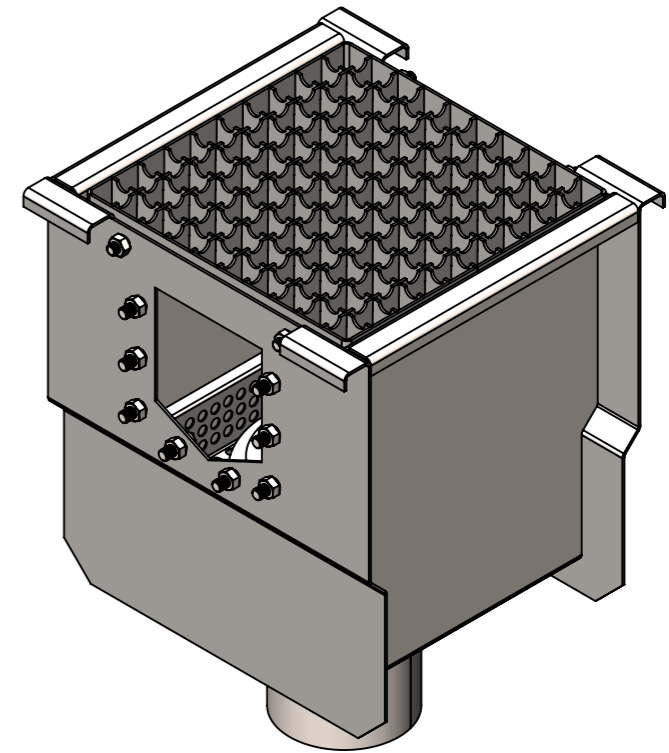
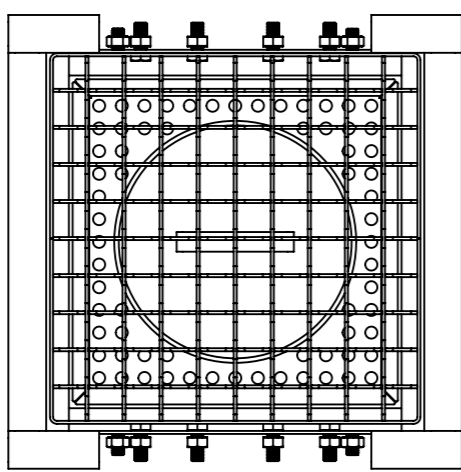
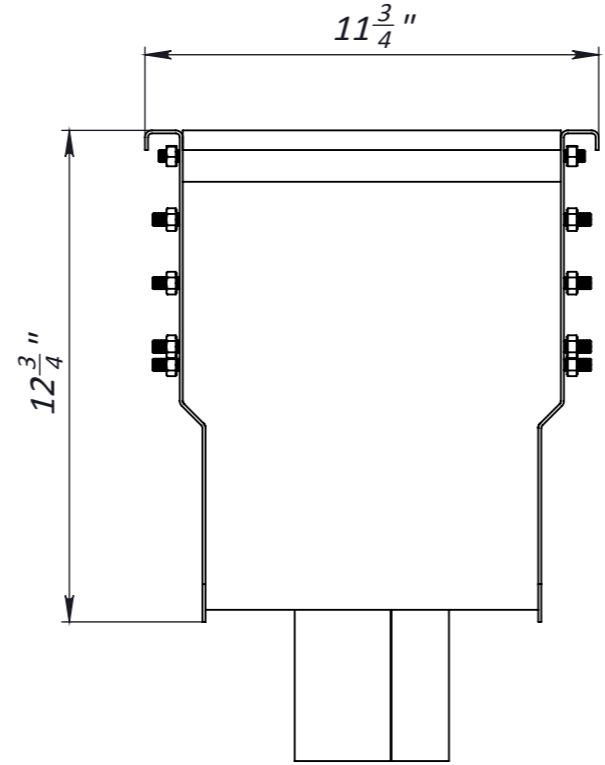
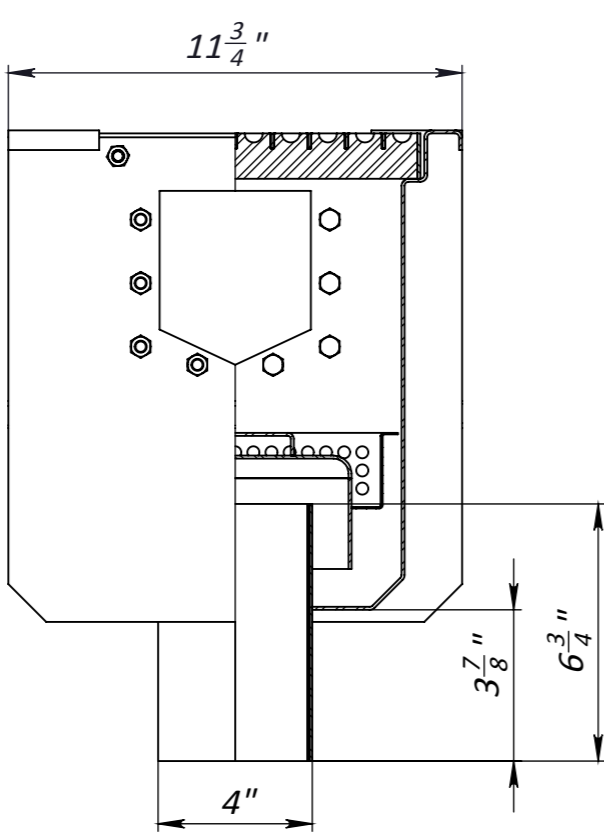


Primary Usage	Reference No.	Sign. and date	Copy inv. No.	Repl. Inv. No.	Sign. and date	Orig. Inv. No.
---------------	---------------	----------------	---------------	----------------	----------------	----------------

Stainless Steel Trap for 4" Stainless Steel Channel



1. Area of water intake slots 78 sq in
2. Deviation of the actual weight of the nominal can be up to 10%

					Art.	SSTV4.4.12			
					Stainless Steel Trap for 4" Stainless Steel Channel				
Rev.	Sheet	Doc. No.	Sign.	Data	<b>SSTV4.4.12</b>	Let.	Weight (lb)	Scale	
				11.09.18			23.0	1:5	
						Sheet	Sheets 1		
					Stainless Steel				