

Primary Usage

Reference No.

Sign. and date

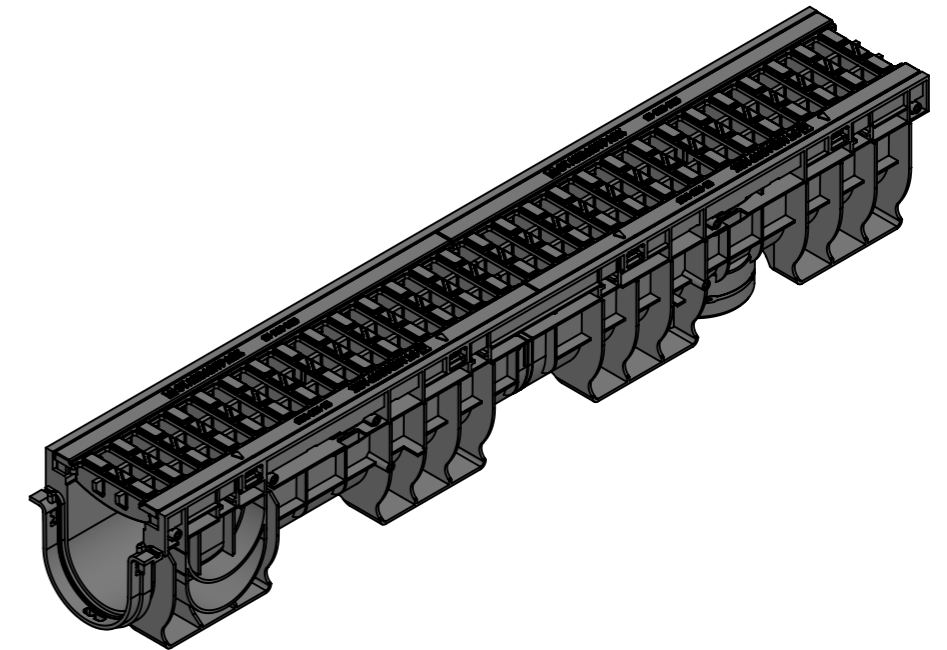
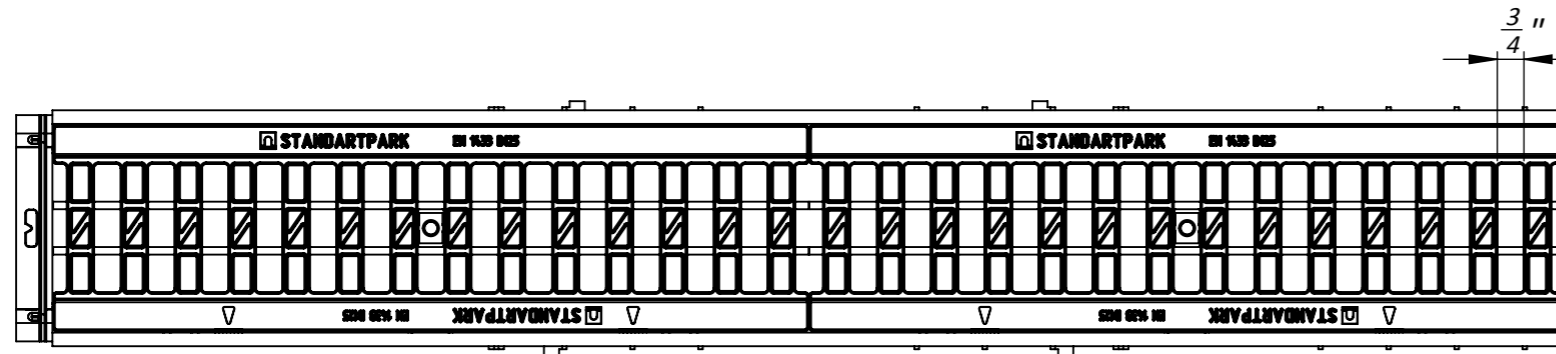
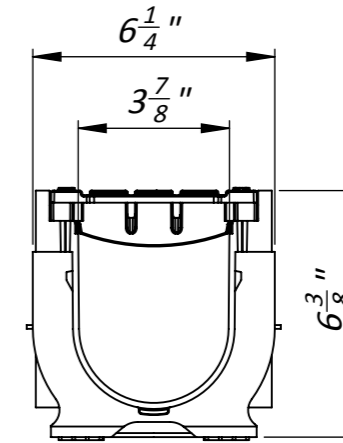
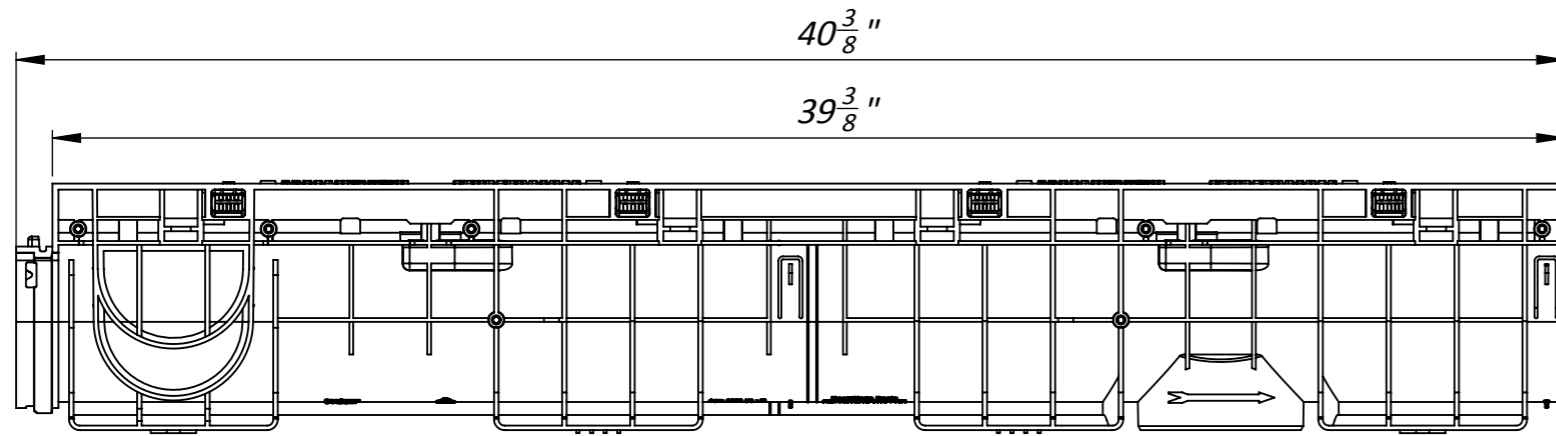
Copy inv. No.

Repl. Inv. No.

Sign. and date

Orig. Inv. No.

4" Plastic Channel Set



- 1. Area of water intake slots 56 sq in
- 2. Deviation of the actual weight of the nominal can be up to 10%

				Art. 0814082				
				<b>4" Plastic Channel Set</b>				
				<b>0814082</b>		Let.	Weight (lb)	Scale
							9.9	1:5
				<b>Load Class B</b>		Sheet	Sheets 1	
				<b>Plastic</b>				