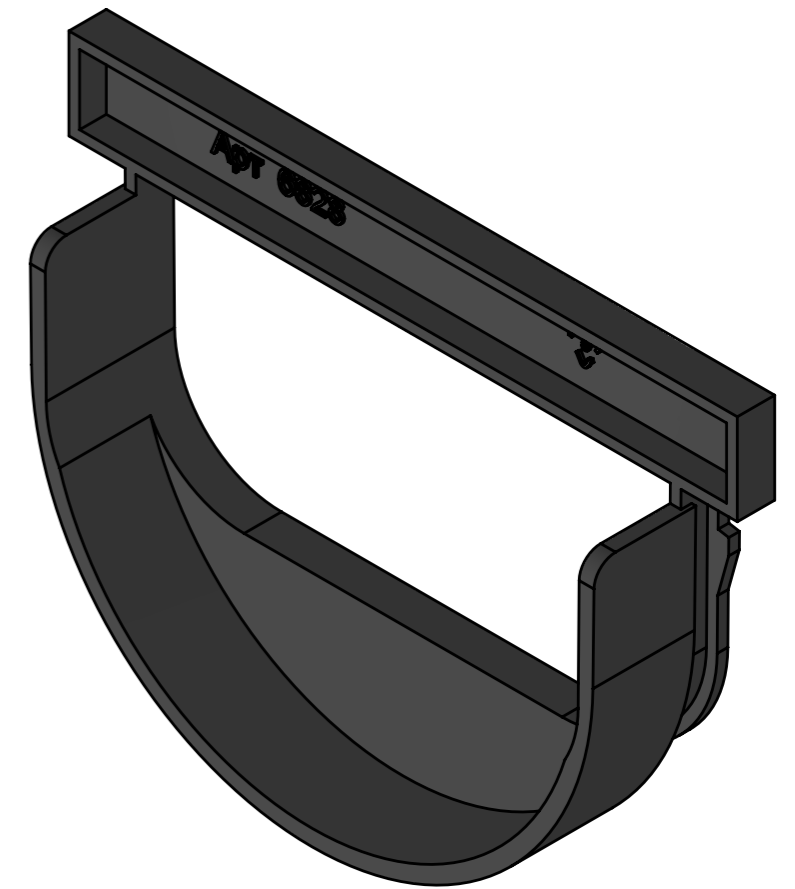
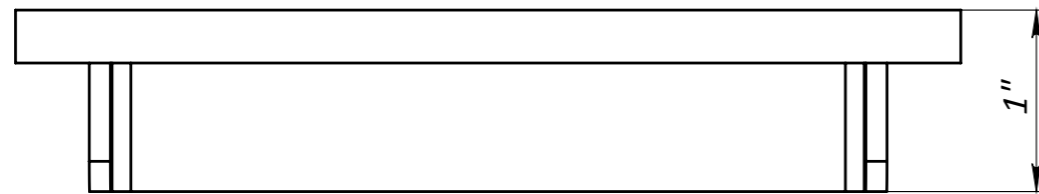
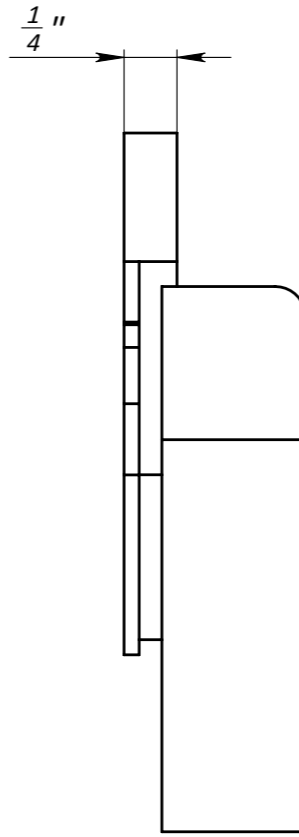
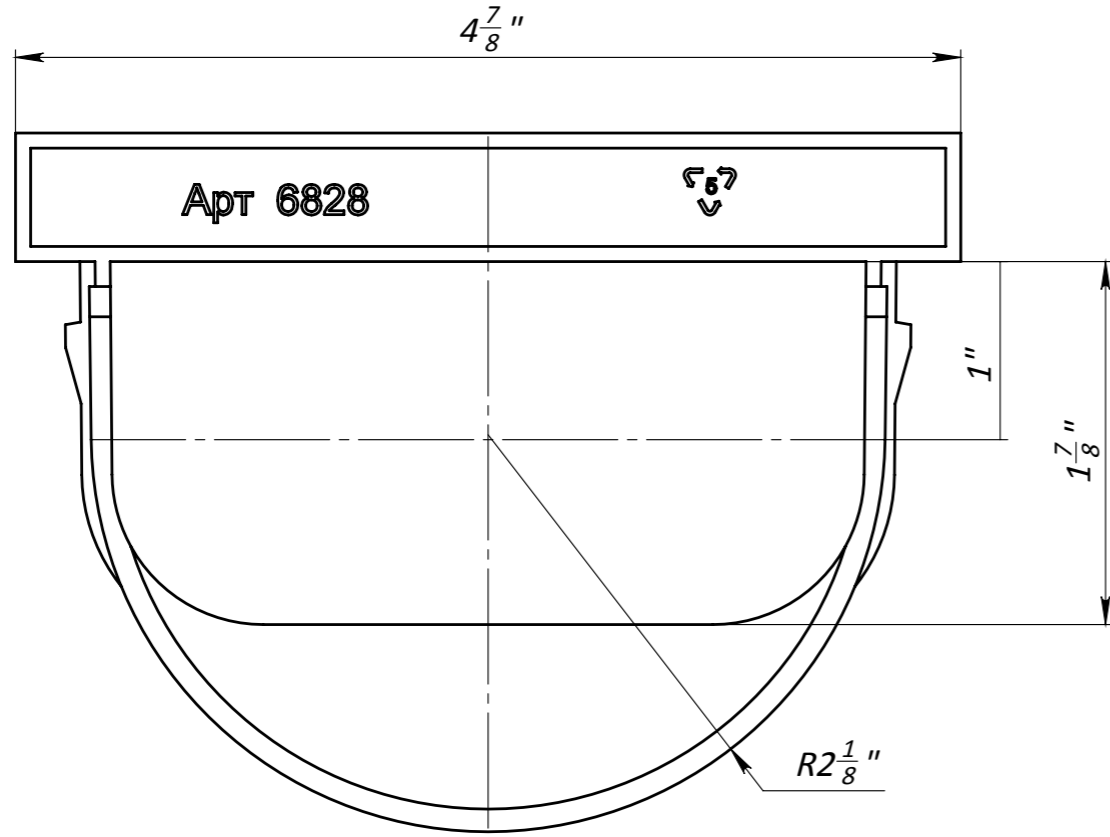


Spark 2 Adapter



Deviation of the actual weight of the nominal can be up to 10%

Primary Usage
Reference No.
Sign. and date
Copy inv. No.
Repl. Inv. No.
Sign. and date
Orig. Inv. No.

					Art. 6828			
					Spark 2 Adapter			
Rev.	Sheet	Doc. No.	Sign.	Data	<b>6828</b>	Let.	Weight (lb)	Scale
				11.09.18			0.05	1:1
					Sheet		Sheets 1	
					Plastic			