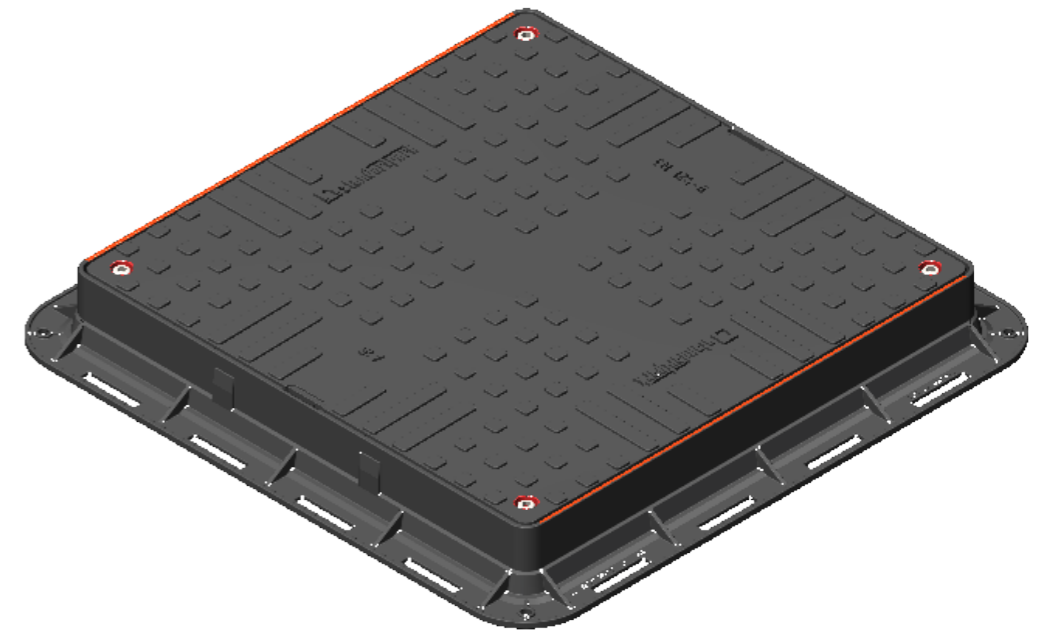
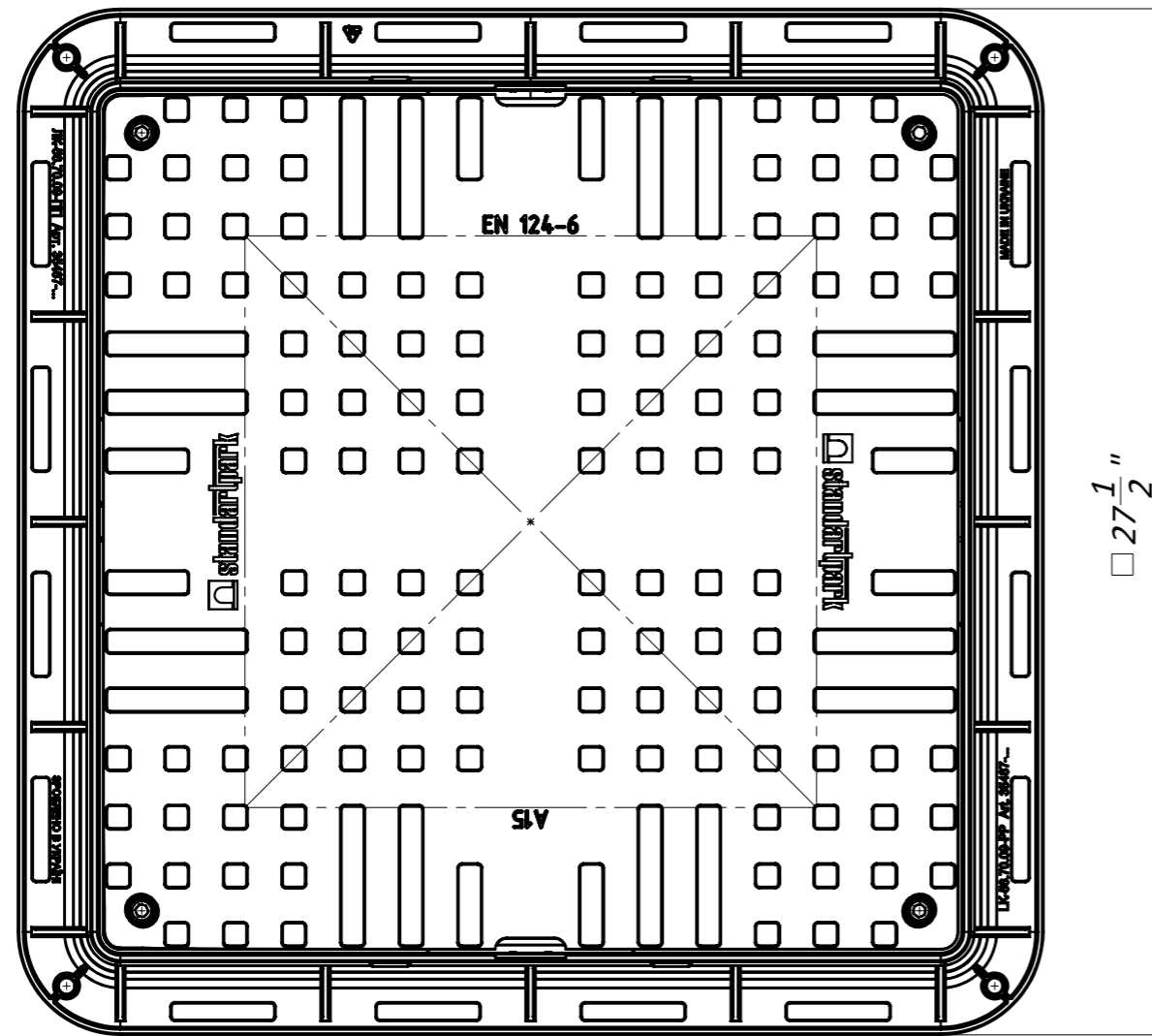
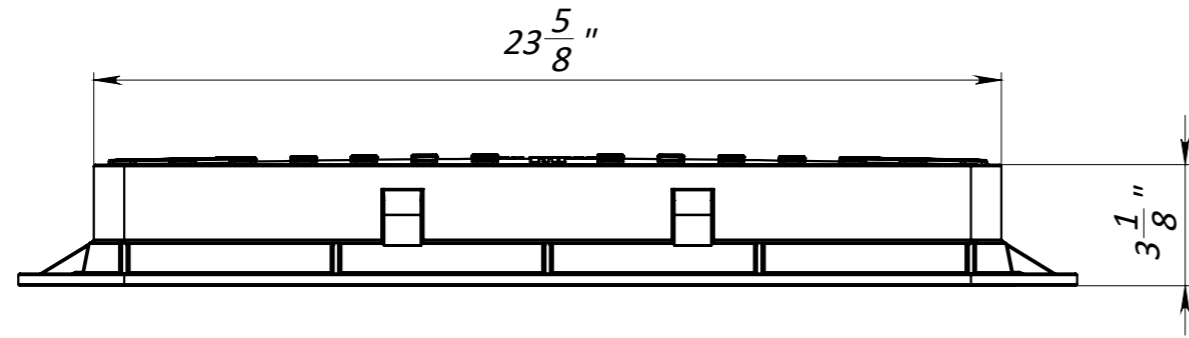


Orig. Inv. No.	Sign. and date	Repl. Inv. No.	Copy inv. No.	Sign. and date	Reference No.	Primary Usage
----------------	----------------	----------------	---------------	----------------	---------------	---------------

Plastic Manhole



1. Deviation of the actual weight of the nominal can be up to 12%

					Art. 35487			
					Plastic Manhole			
Rev.	Sheet	Doc. No.	Sign.	Data	35487	Let.	Weight (lb)	Scale
				02.07.19			17.35	1:5
					Load Classes A	Sheet	Sheets 1	
					Plastic	