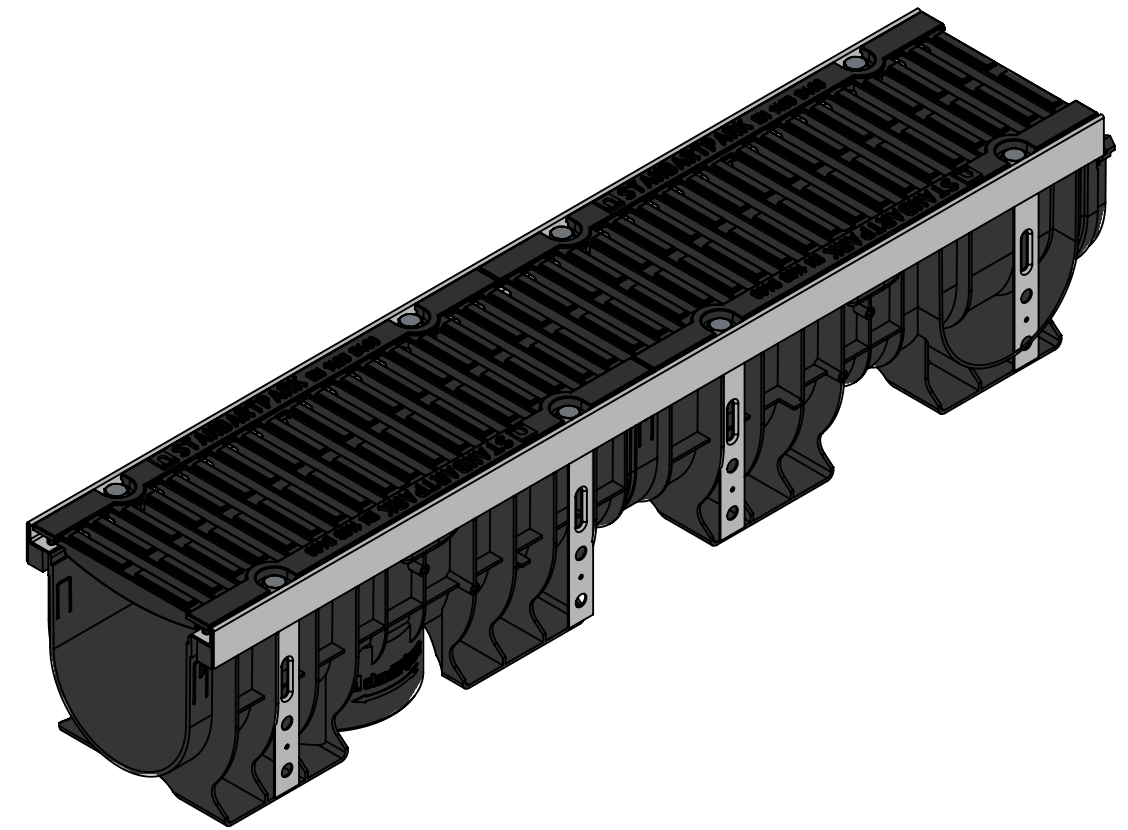
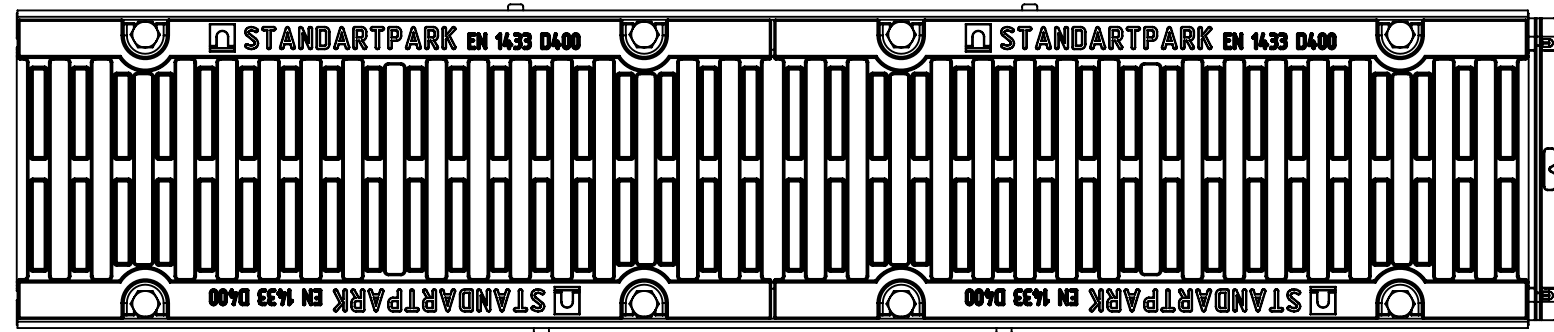
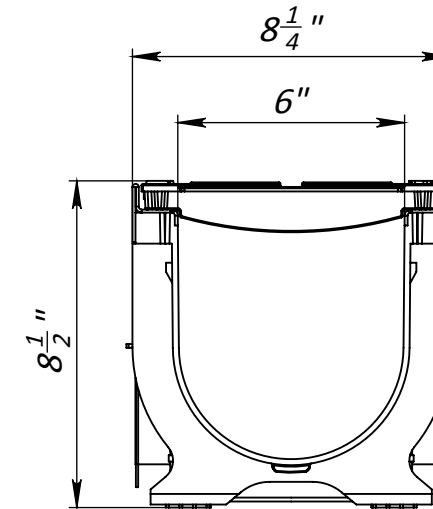
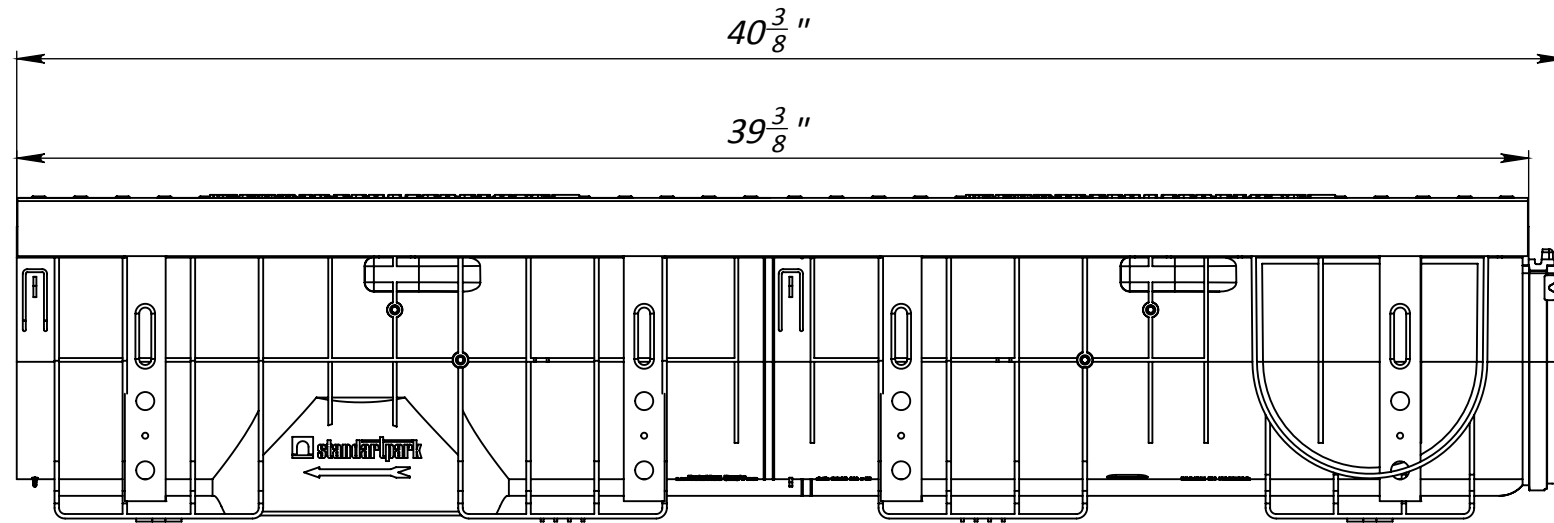


Primary Usage
Reference No.
Sign. and date
Copy inv. No.
Repl. Inv. No.
Sign. and date
Orig. Inv. No.

6" Plastic Drainage Set



1. Area of water intake slots 96 sq in
2. Deviation of the actual weight of the nominal can be up to 12%

				Art. 0824004				
				6" Plastic Drainage Set				
Rev.	Sheet	Doc. No.	Sign.	Data	0824004	Let.	Weight (lb)	Scale
				05.08.17			17.3	1:5
					Load Class D	Sheet	Sheets 1	
					Plastic, Ductile Cast Iron, Steel			