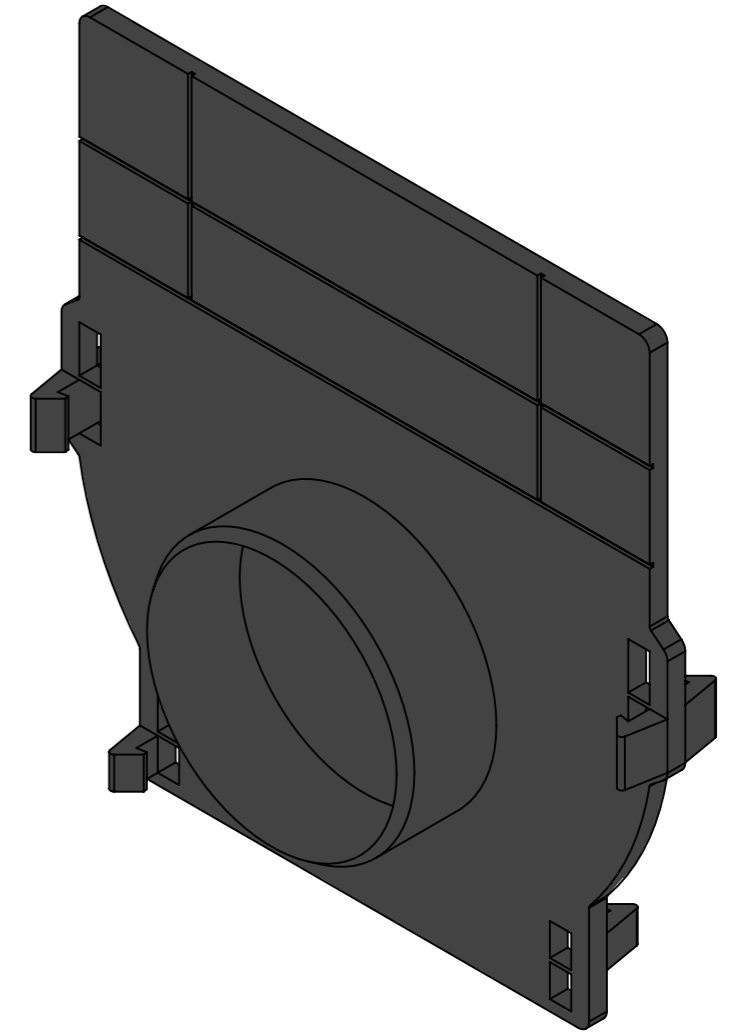
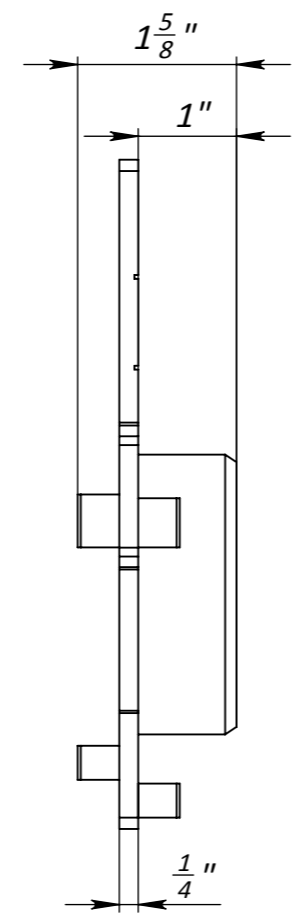
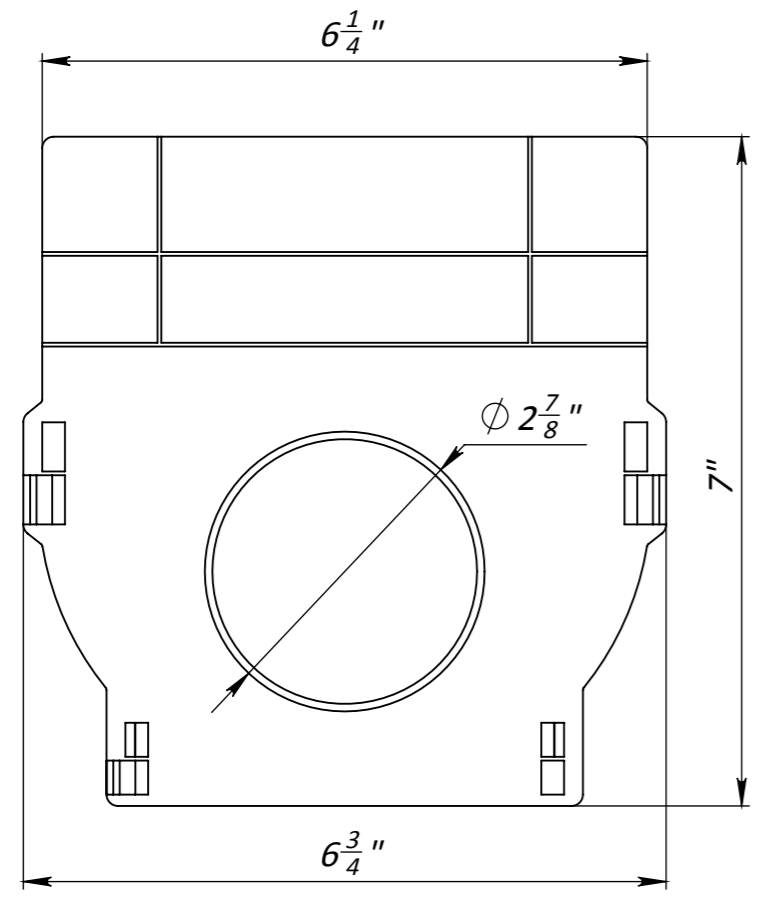


Primary Usage						
Reference No.						
Sign. and date						
Copy inv. No.						
Repl. Inv. No.						
Sign. and date						
Orig. Inv. No.						

End Cap 4"



					Art. 6830			
					<b>End Cap 4"</b>			
						Let.	Weight (lb)	Scale
							0.13	1:2
						Sheet	Sheets 1	
					<b>NP-EC 6830</b>			
					Plastic			
					standartpark			

Rev.	Sheet	Doc. No.	Sign.	Data
				04.08.16