

4" Plastic Drainage Set

Primary Usage

Reference No.

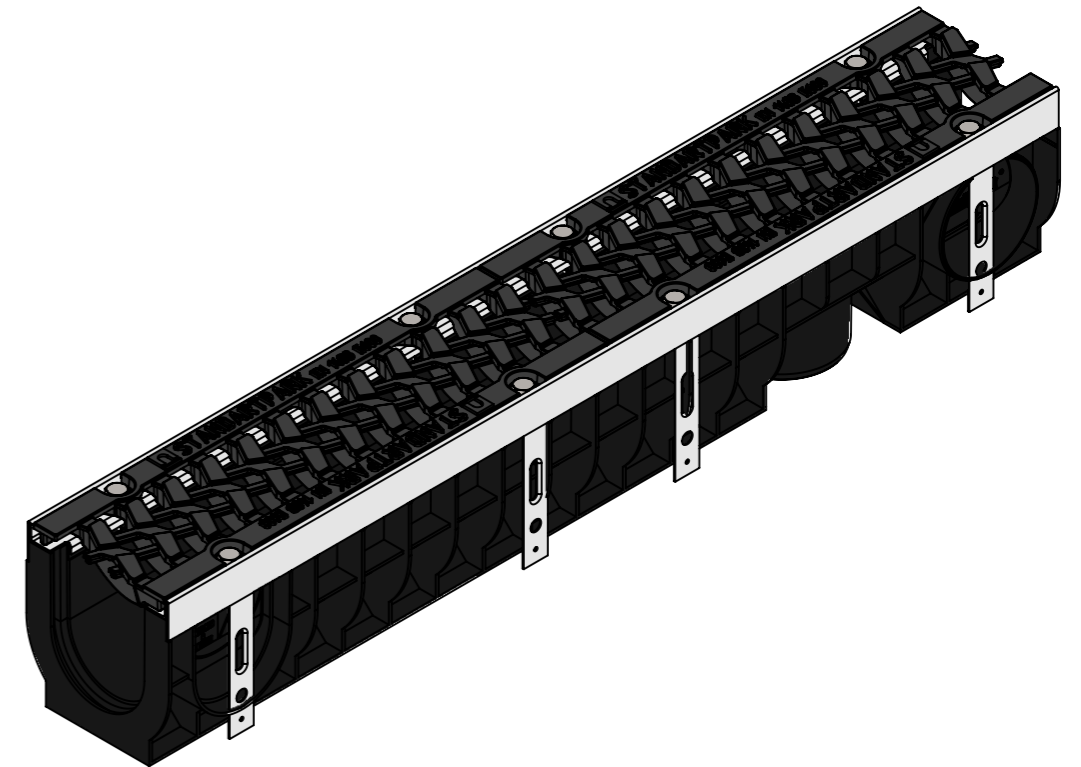
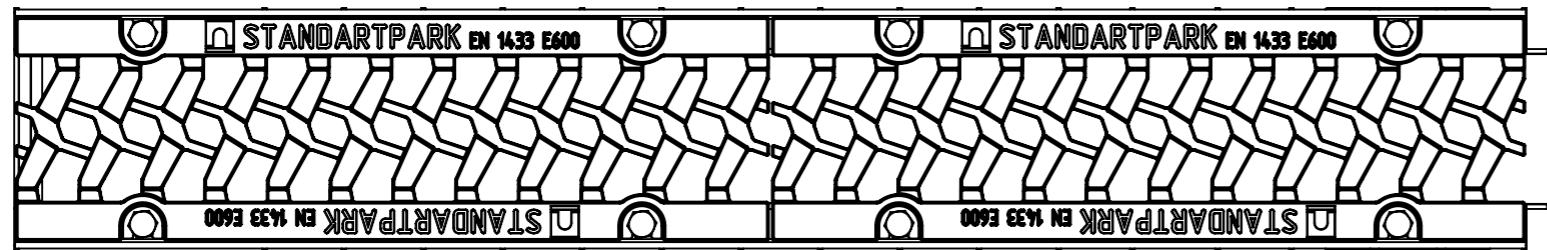
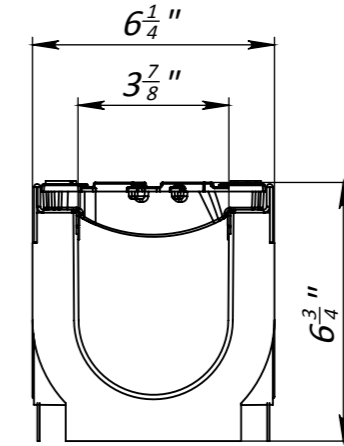
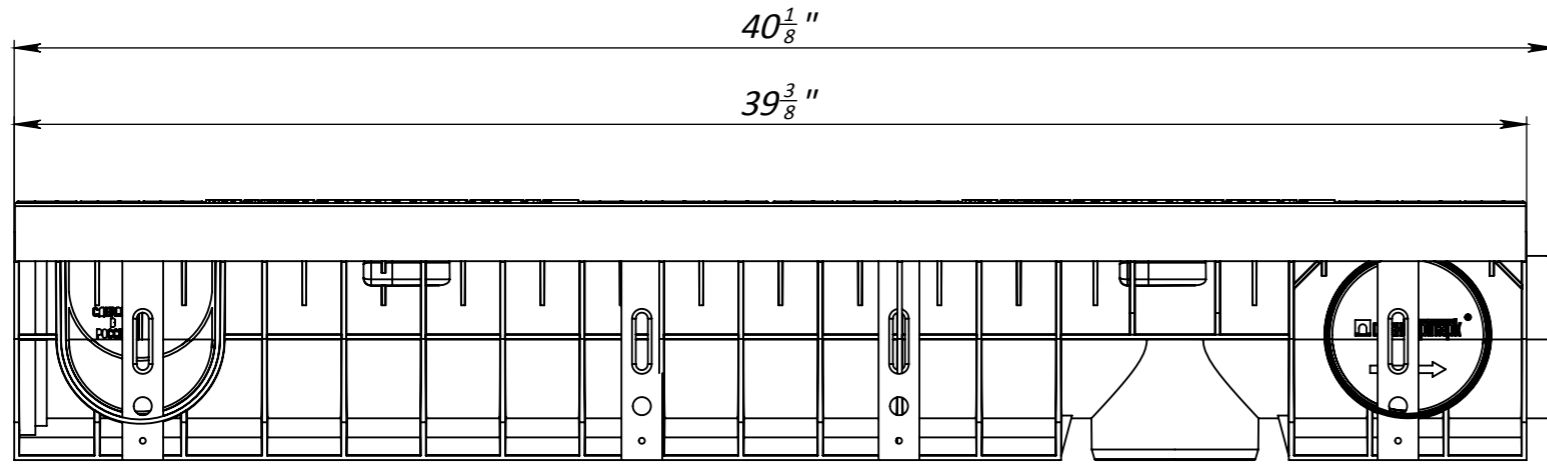
Sign. and date

Copy inv. No.

Repl. Inv. No.

Sign. and date

Orig. Inv. No.



1. Area of water intake slots 74 sq in
2. Deviation of the actual weight of the nominal can be up to 10%

					Art. 0800055			
					4" Plastic Drainage Set			
Rev.	Sheet	Doc. No.	Sign.	Data	0800055	Let.	Weight (lb)	Scale
				11.09.18			33.2	1:5
					Load Class E	Sheet	Sheets 1	
					Plastic, Steel, Ductile Cast Iron			