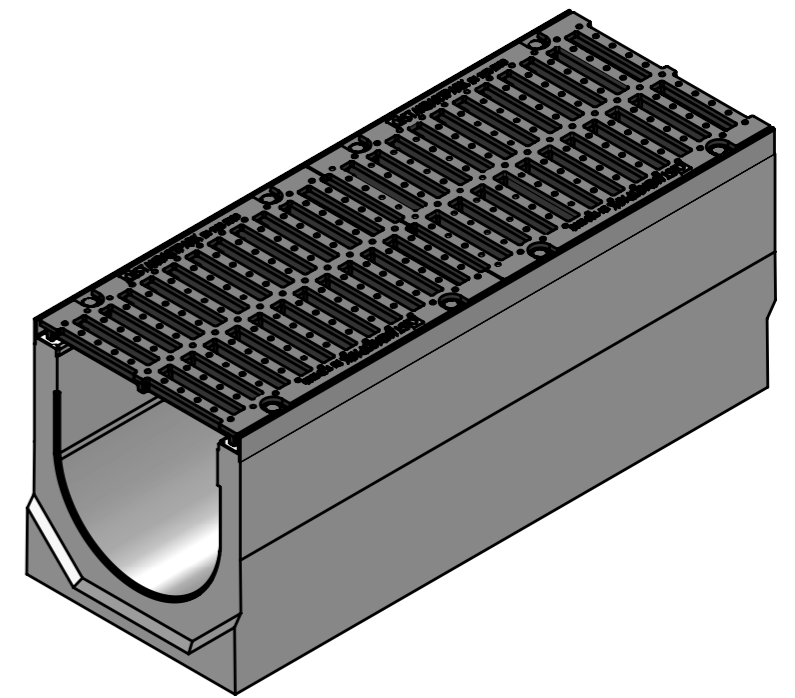
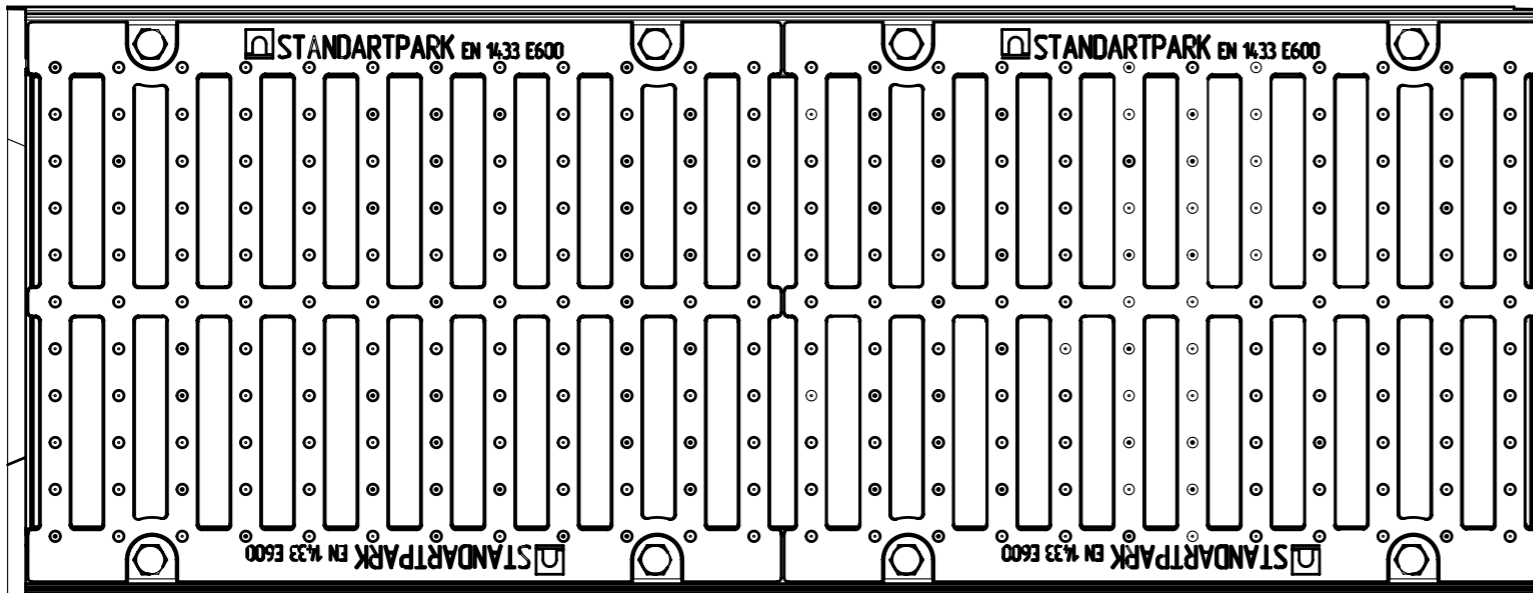
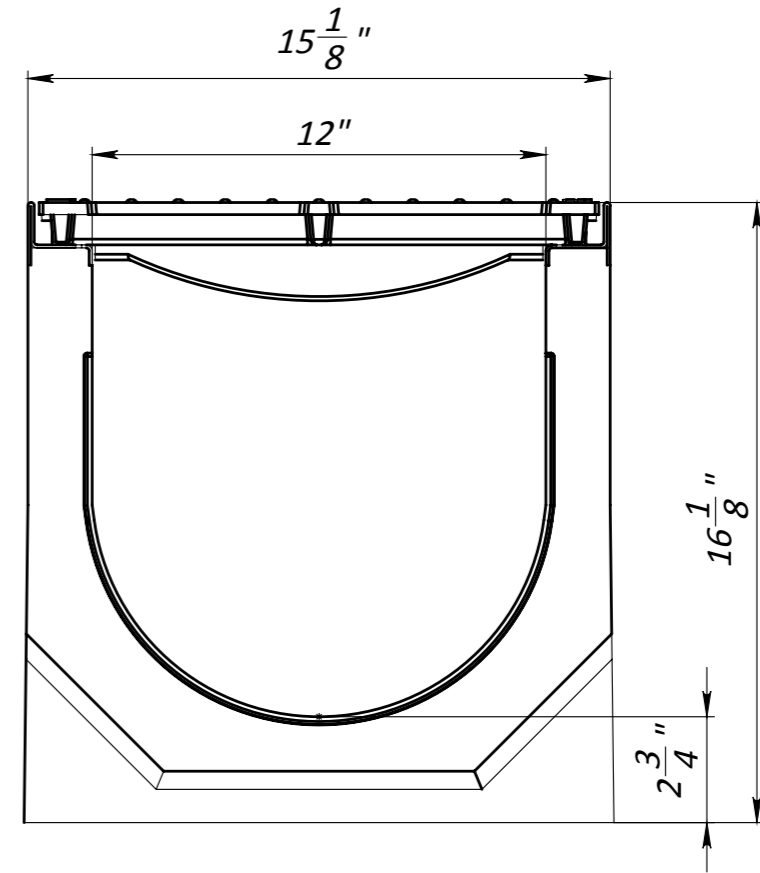
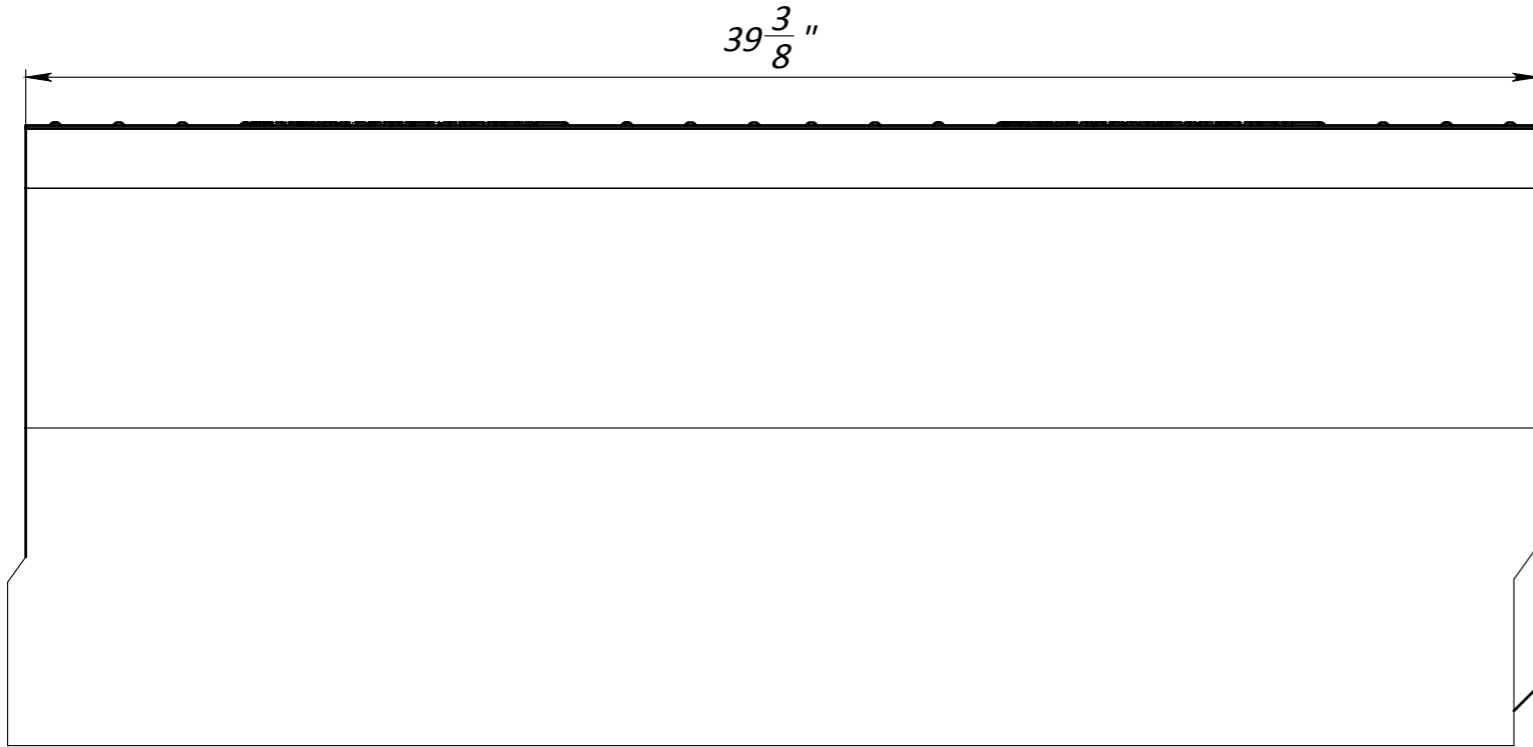


Primary Usage					
Reference No.					
Sign. and date					
Copy inv. No.					
Repl. Inv. No.					
Sign. and date					
Orig. Inv. No.					

12" Concrete Channel Set



						Art. 04700		
						12" Concrete Channel Set		
Rev.	Sheet	Doc. No.	Sign.	Data	NP-CCM04700	Let.	Weight (lb)	Scale
				11.15.16			440	1:5
						Sheet	Sheets 1	
					Concrete			