

Primary Usage

Reference No.

Sign. and date

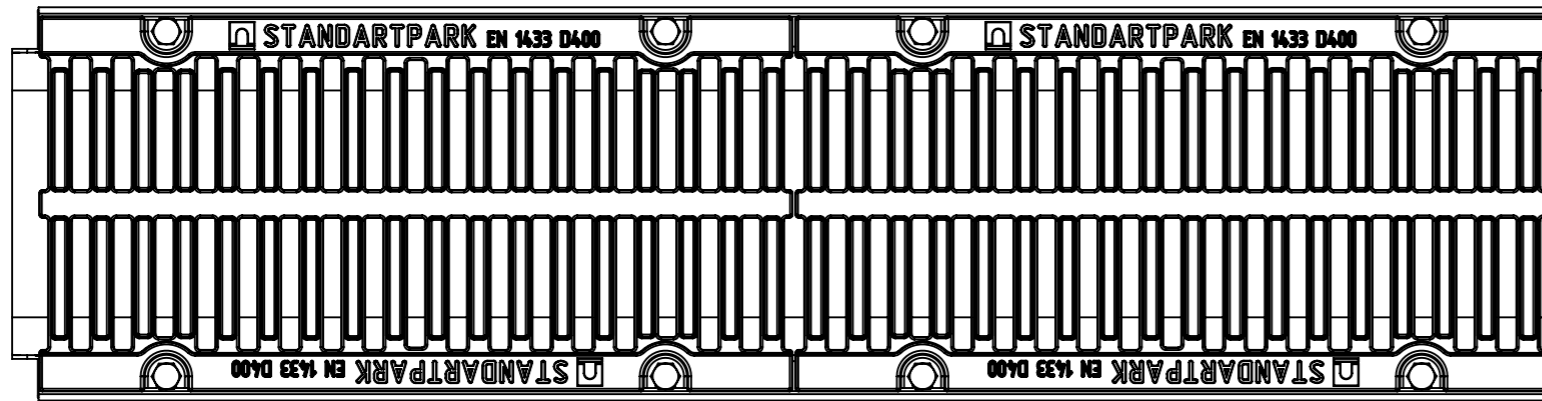
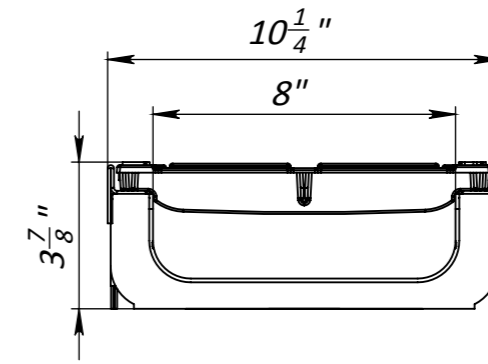
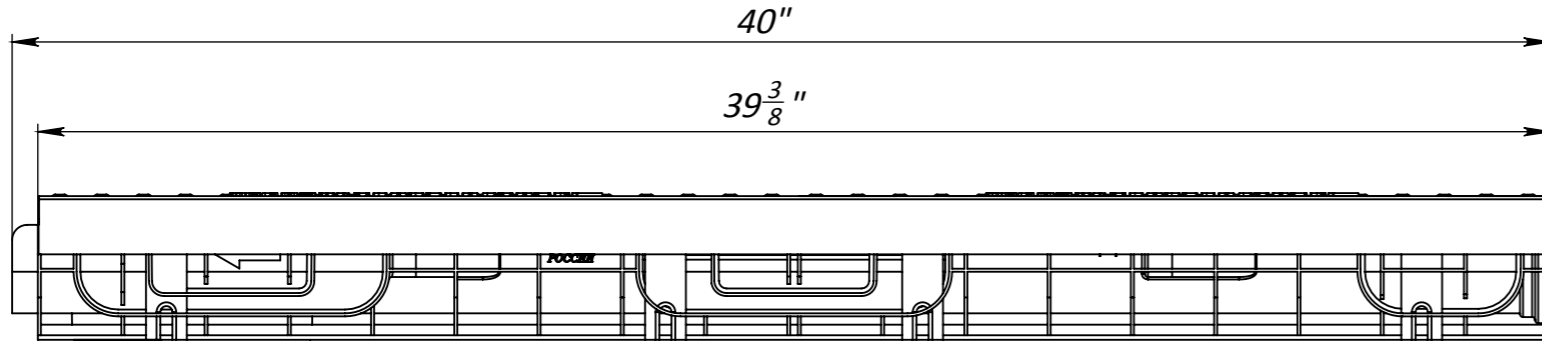
Copy inv. No.

Repl. Inv. No.

Sign. and date

Orig. Inv. No.

8" Plastic Drainage Set



- 1. Area of water intake slots 116 sq in
- 2. Deviation of the actual weight of the nominal can be up to 10%

				Art. 085134				
				8" Plastic Drainage Set				
				085134		Let.	Weight (lb)	Scale
							46.7	1:1
				Load Class D		Sheet	Sheets 1	
				Plastic, Ductile Cast Iron, Steel				