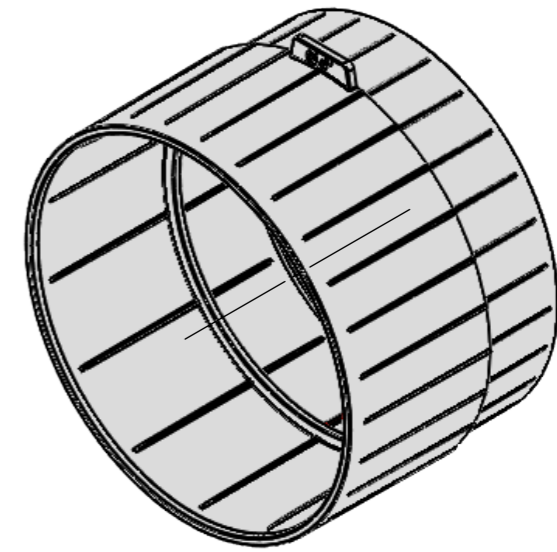
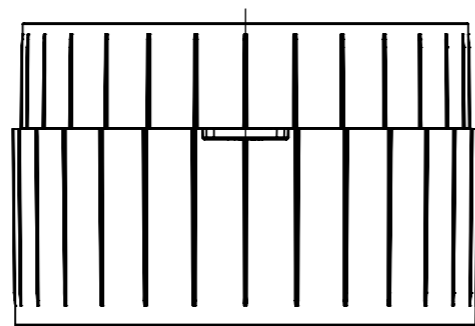
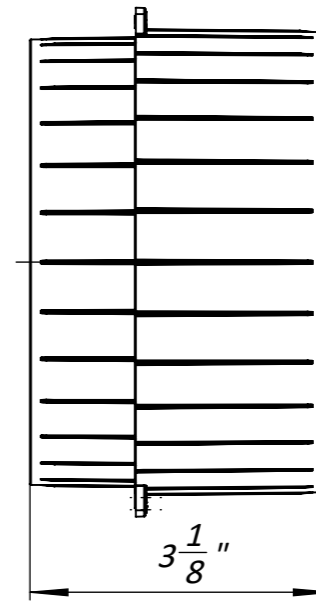
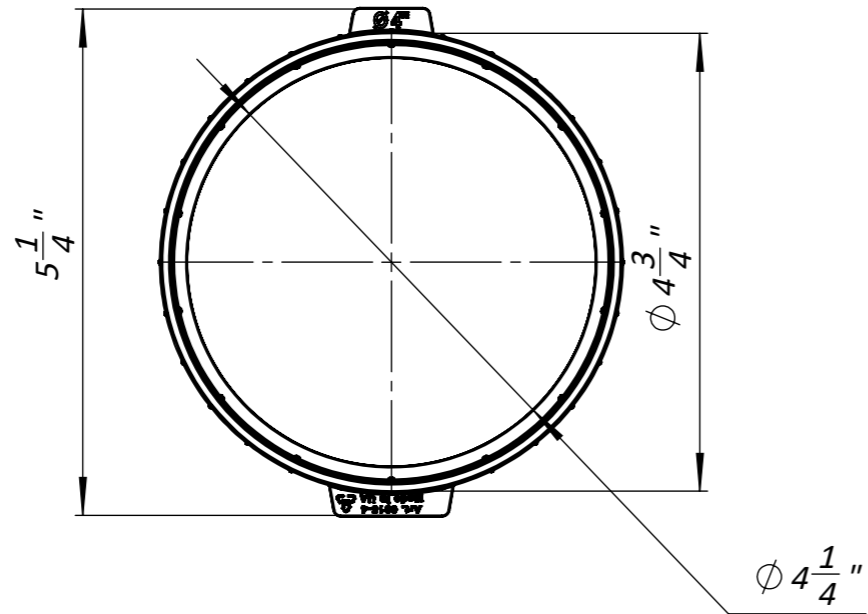


Orig. Inv. No.	Sign. and date	Repl. Inv. No.	Copy inv. No.	Sign. and date	Reference No.	Primary Usage
----------------	----------------	----------------	---------------	----------------	---------------	---------------

4" Pipe Adapter



1. Deviation of the actual weight of the nominal can be up to 12%

					Art. 6815-4			
					4" Pipe Adapter			
Rev.	Sheet	Doc. No.	Sign.	Data	<b>6815-4</b>	Let.	Weight (lb)	Scale
				26.06.19			0.22	1:2
					Sheet		Sheets 1	
					Plastic			
					