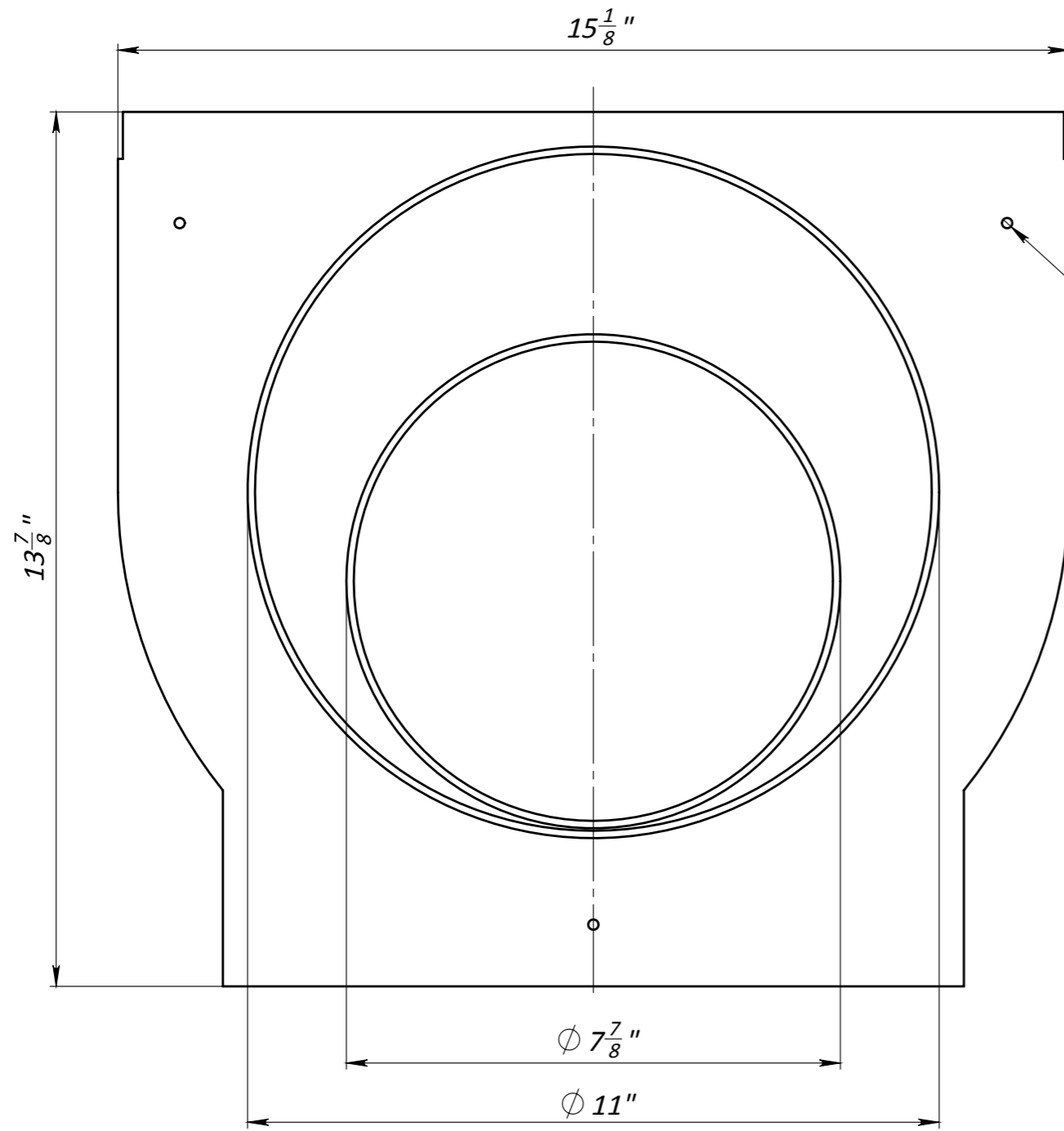
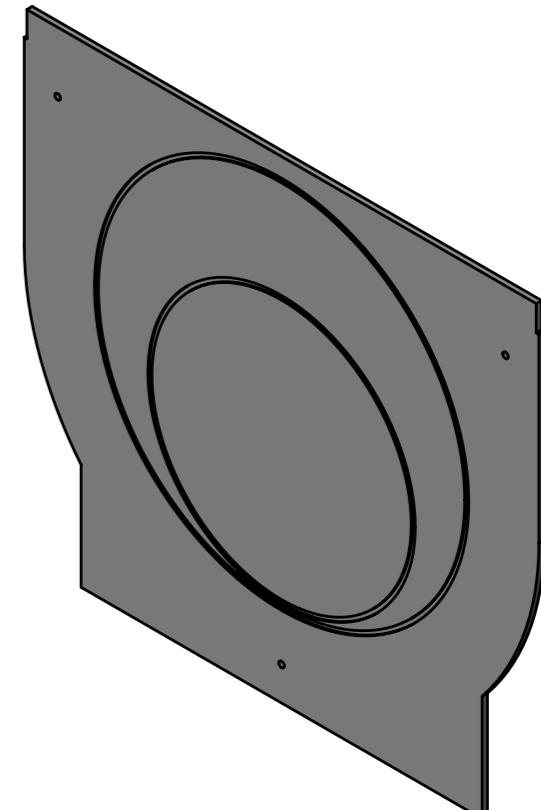
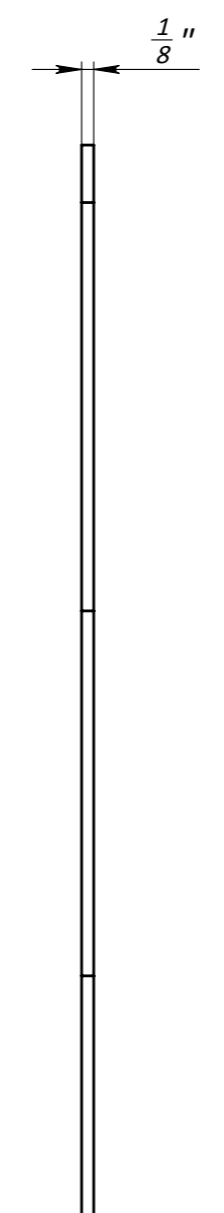


Primary Usage	Reference No.	Sign. and date	Copy inv. No.	Repl. Inv. No.	Sign. and date	Orig. Inv. No.
---------------	---------------	----------------	---------------	----------------	----------------	----------------

End Cap 12"



ϕ 1/8"  
3 holes



					Art. 6371			
					End Cap 12"			
Rev.	Sheet	Doc. No.	Sign.	Data	<b>NP-EC6371</b>	Let.	Weight (lb)	Scale
				02.01.17			0.98	1:2.5
					Sheet		Sheets 1	
					Plastic			