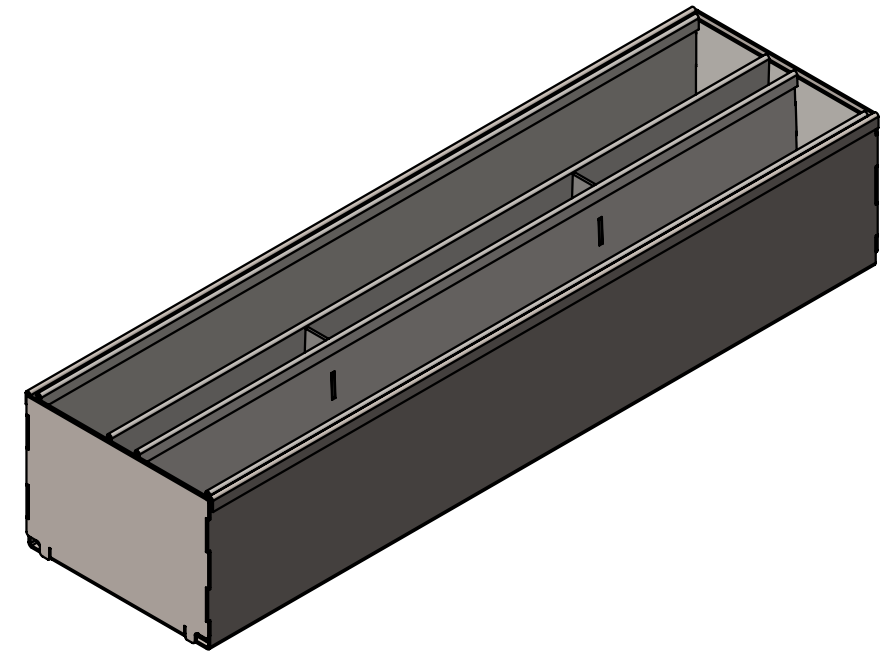
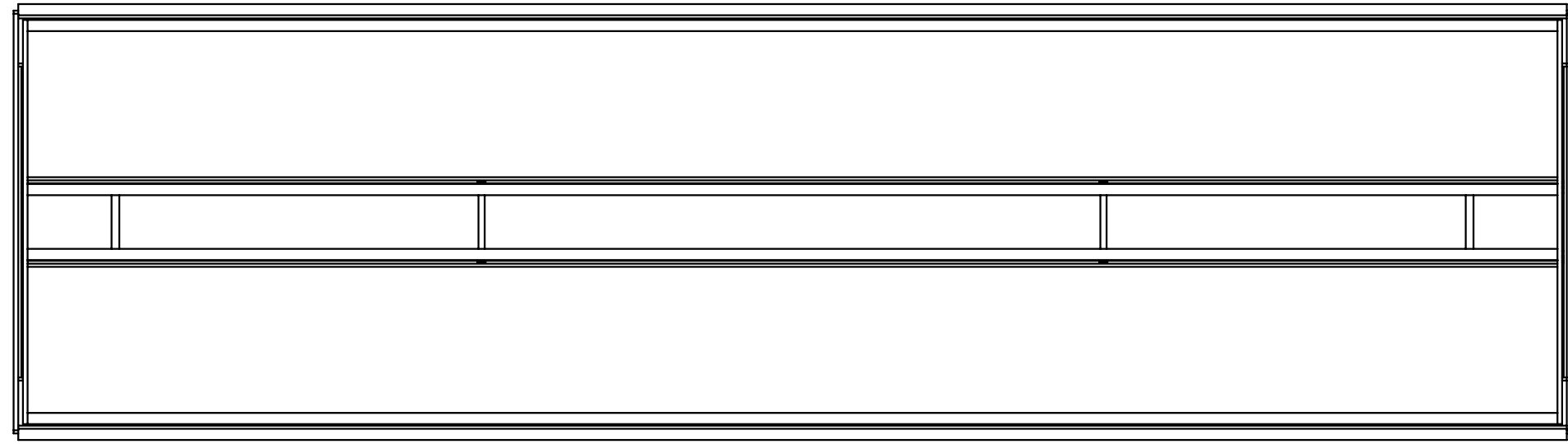
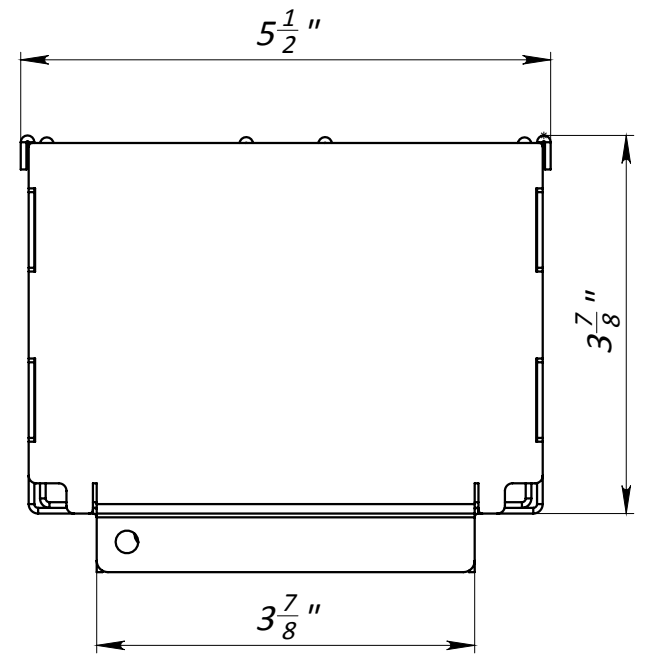
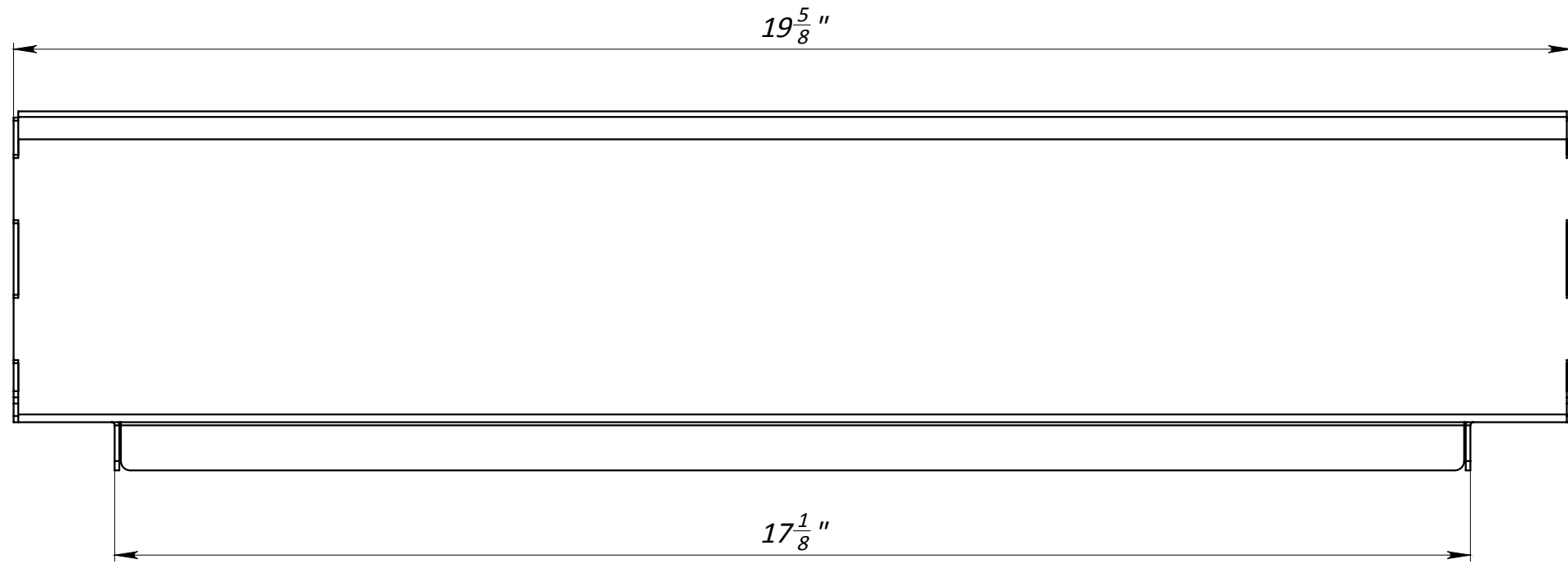


Primary Usage
Reference No.
Sign. and date
Copy inv. No.
Repl. Inv. No.
Sign. and date
Orig. Inv. No.

4" Stainless Steel Revision Slot Drain



- 1. Area of water intake slots 13 sq in
- 2. Deviation of the actual weight of the nominal can be up to 10%

					Art. 20975-1T-100			
					4" Stainless Steel Revision Slot Drain			
Rev.	Sheet	Doc. No.	Sign.	Data	20975-1T-100	Let.	Weight (lb)	Scale
							5.43	1:2
					Sheet		Sheets 1	
					Stainless Steel			