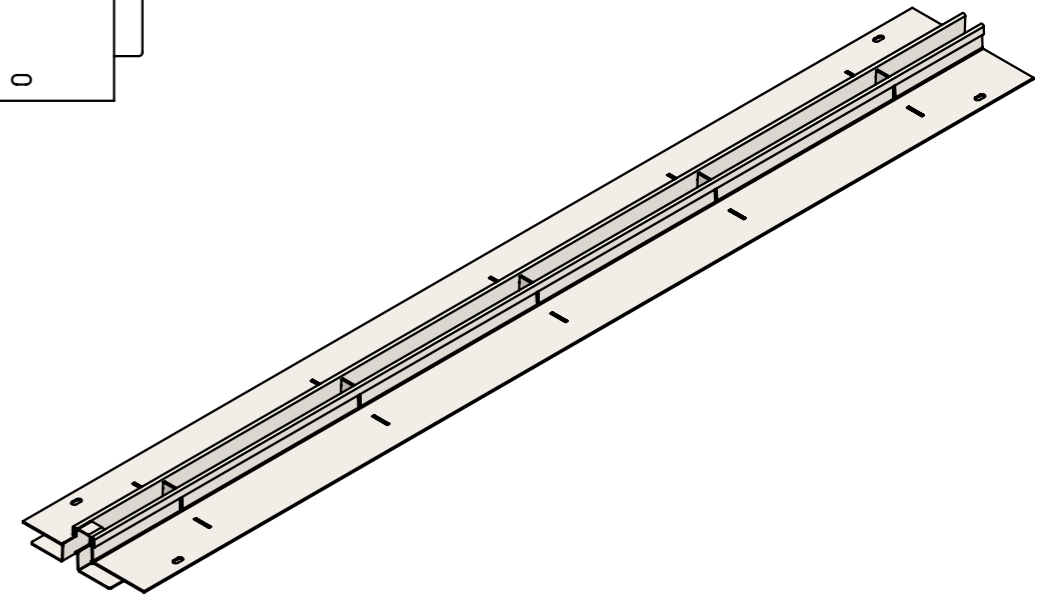
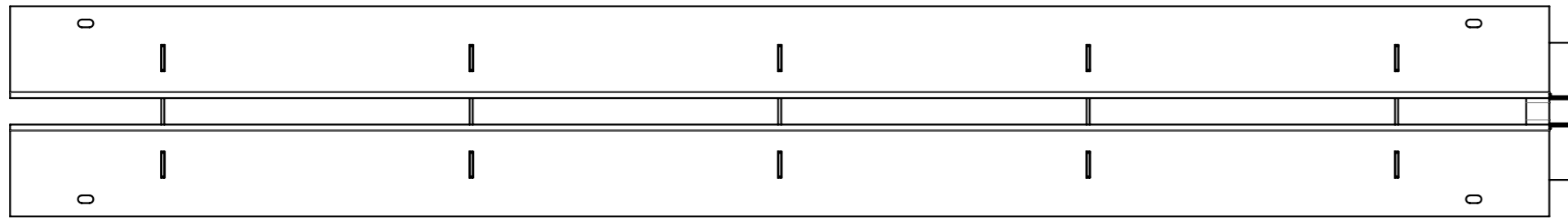
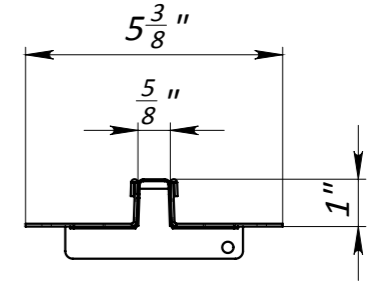
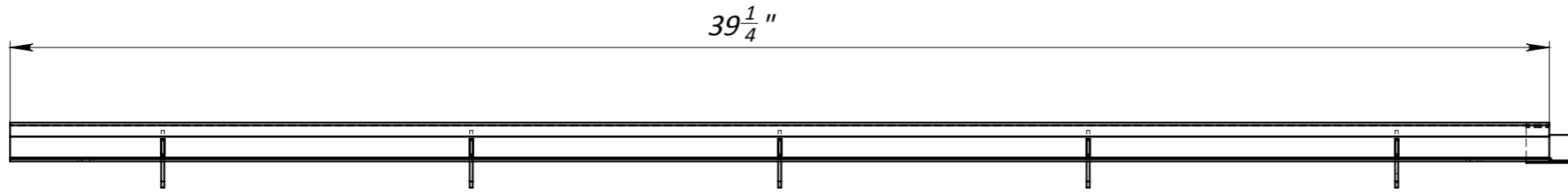


Primary Usage	Reference No.	Sign. and date	Copy inv. No.	Repl. Inv. No.	Sign. and date	Orig. Inv. No.
---------------	---------------	----------------	---------------	----------------	----------------	----------------

4" Stainless Steel Micro Slot Drain



- 1. Area of water intake slots 26 sq in
- 2. Deviation of the actual weight of the nominal can be up to 10%

					Art. 2097-1T-25			
					4" Stainless Steel Micro Slot Drain			
Rev.	Sheet	Doc. No.	Sign.	Data	2097-1T-25	Let.	Weight (lb)	Scale
				11.09.18			5.2	1:4
					Sheet		Sheets 1	
					Stainless Steel			