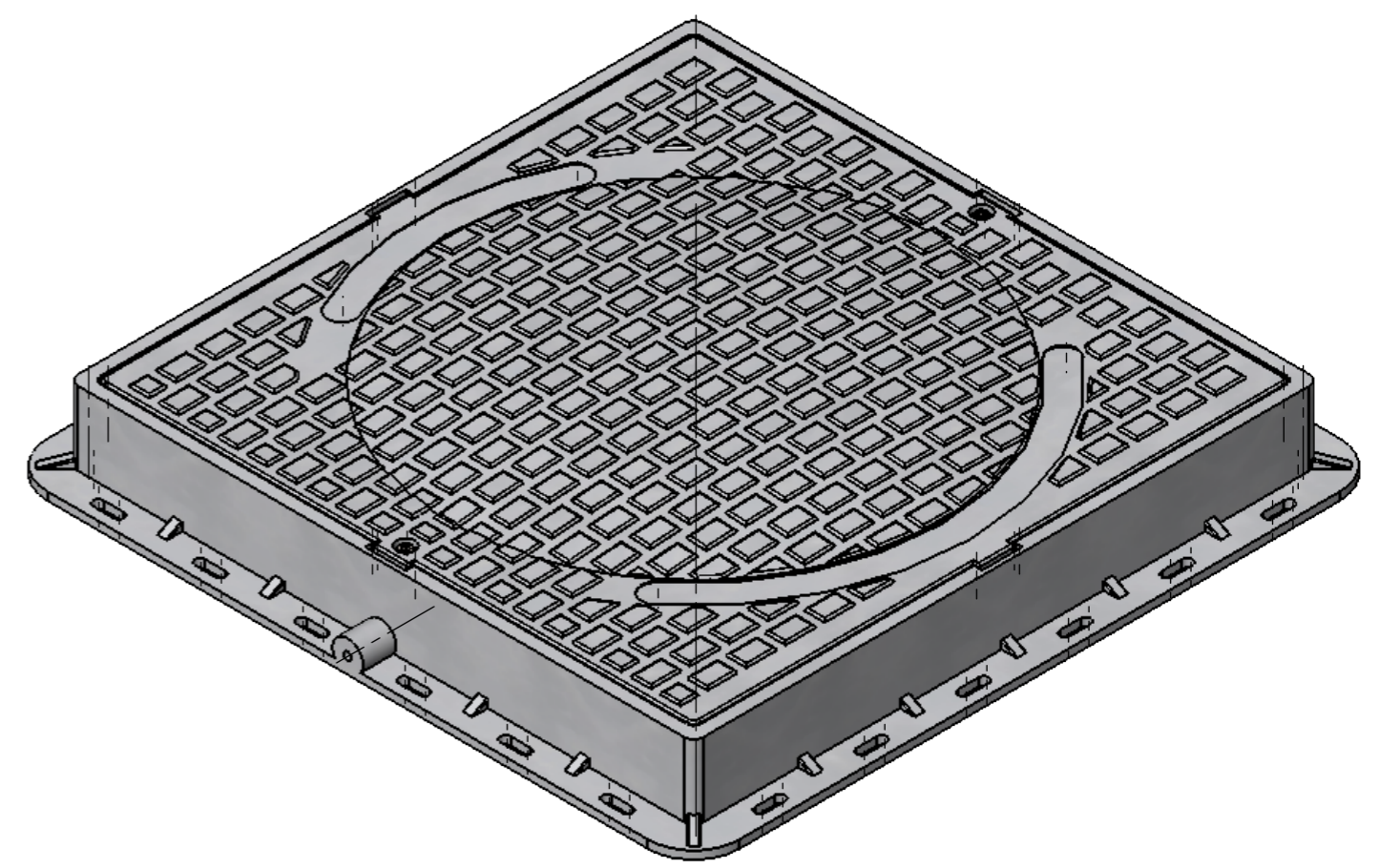
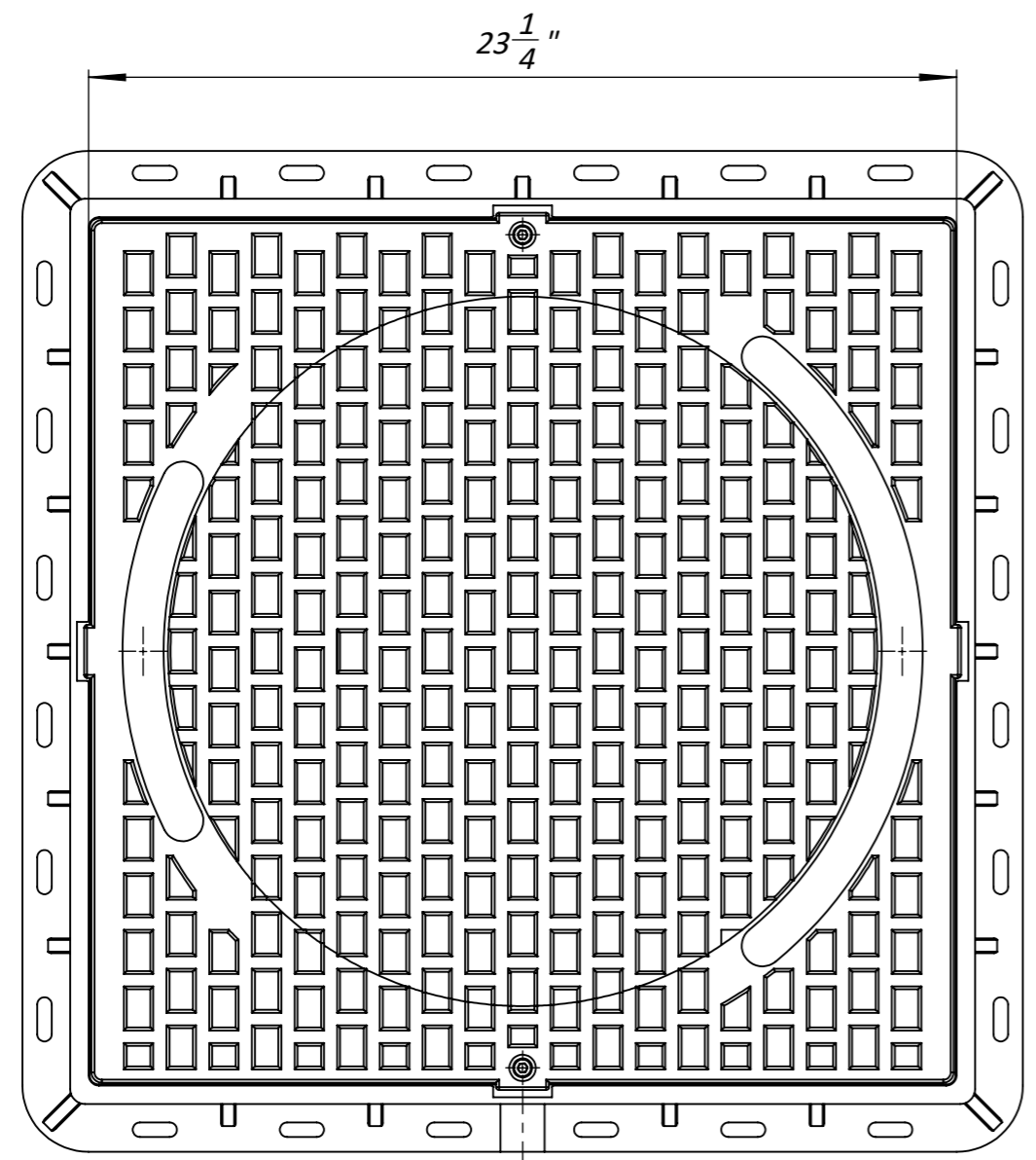
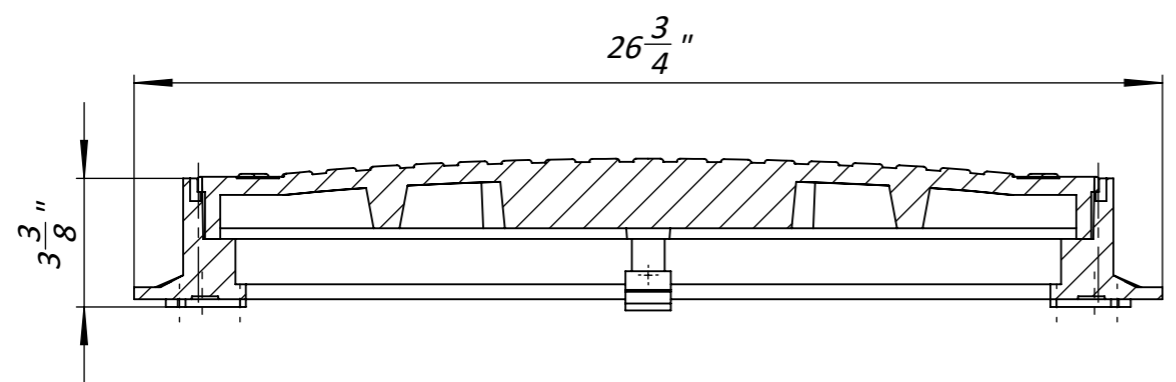


Orig. Inv. No.    Sign. and date    Repl. Inv. No.    Copy inv. No.    Sign. and date    Reference No.    Primary Usage

Plastic Square Manhole with lock



| No | Name   | Colour |
|----|--|--------|
| 1  | Plastic Square Manhole with lock LK-50.70.08-PP 35487-10 | Black  |
| 2  | Plastic Square Manhole with lock LK-50.70.08-PP 35487-12 | Green  |

1. Deviator of the actual weight of the nominal can be up to 10%

|      |       |          |       |          |                                  |         |             |       |
|------|-------|----------|-------|----------|----------------------------------|---------|-------------|-------|
|      |       |          |       |          | Art. 35487-10                    |         |             |       |
|      |       |          |       |          | Plastic Square Manhole with lock |         |             |       |
| Rev. | Sheet | Doc. No. | Sign. | Data     | <b>NP-PM35487-10</b>             | Let.    | Weight (lb) | Scale |
|      |       |          |       | 05.08.17 |                                  |         | 23.8        | 1:5   |
|      |       |          |       |          |                                  | Sheet   | Sheets 1    |       |
|      |       |          |       |          |                                  | Plastic |             |       |
|      |       |          |       |          |                                  |         |             |       |