

Primary Usage

Reference No.

Sign. and date

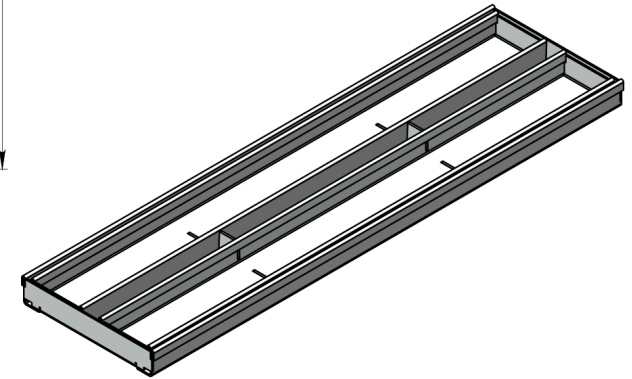
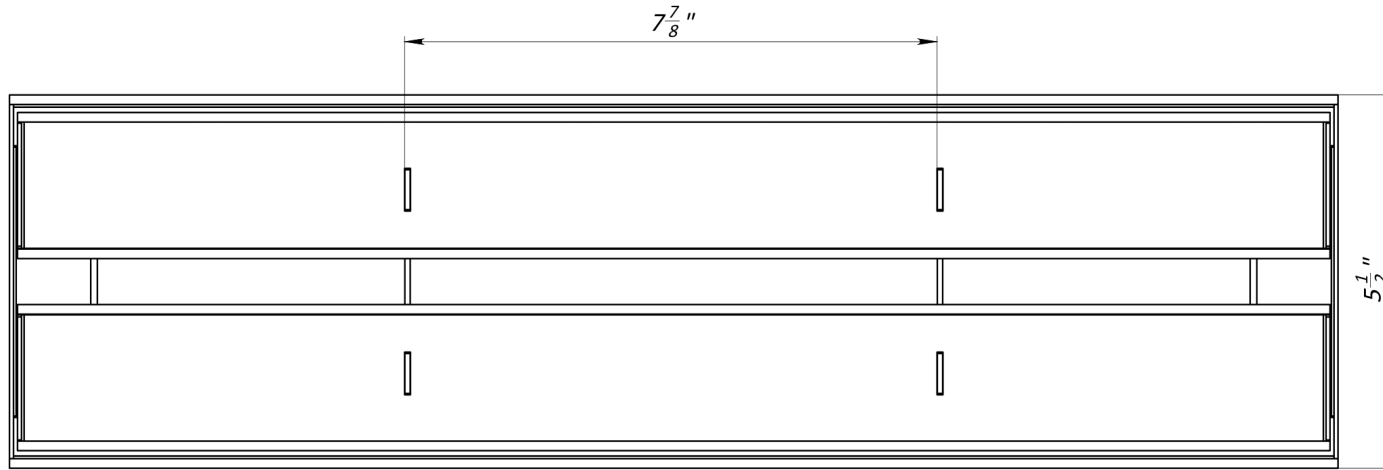
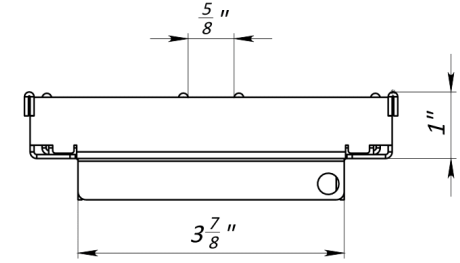
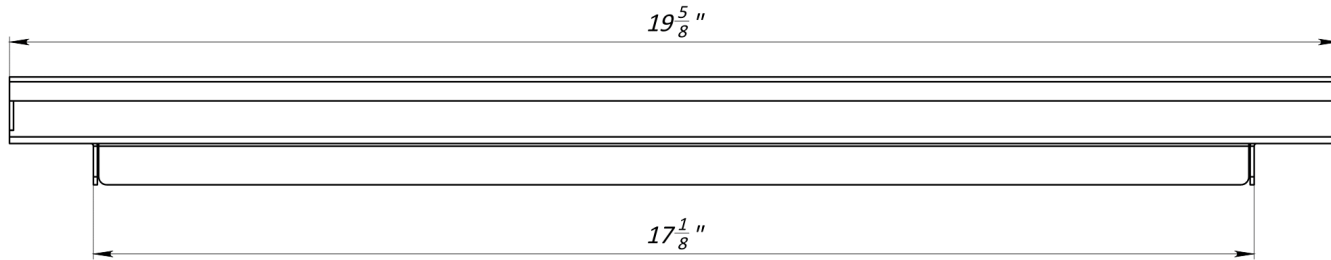
Copy inv. No.

Repl. Inv. No.

Sign. and date

Orig. Inv. No.

4" Galvanized Steel Revision Micro Slot Drain



- 1. Area of water intake slots 13 sq in
- 2. Deviation of the actual weight of the nominal can be up to 10%

										Art.	20175-1T-25	
										4" Galvanized Steel Revision Micro Slot Drain		
										Let.	Weight (lb)	Scale
											5.24	1:2
										Sheet	Sheets 1	
										Galvanized Steel		