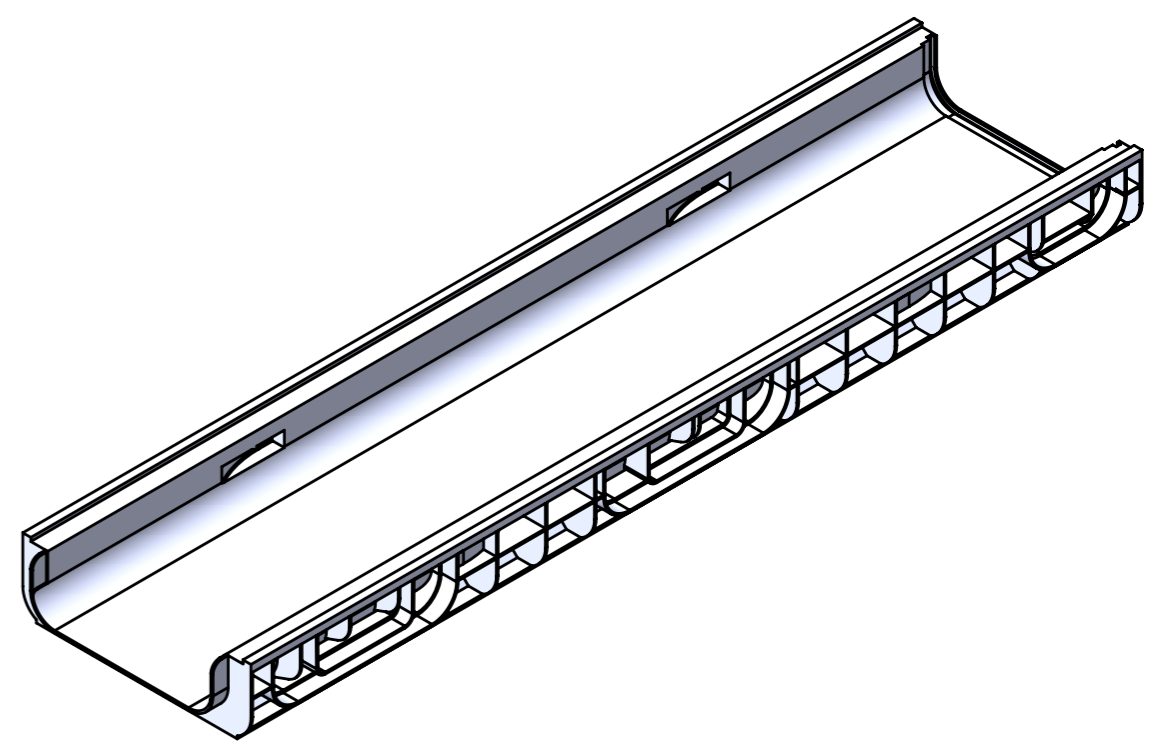
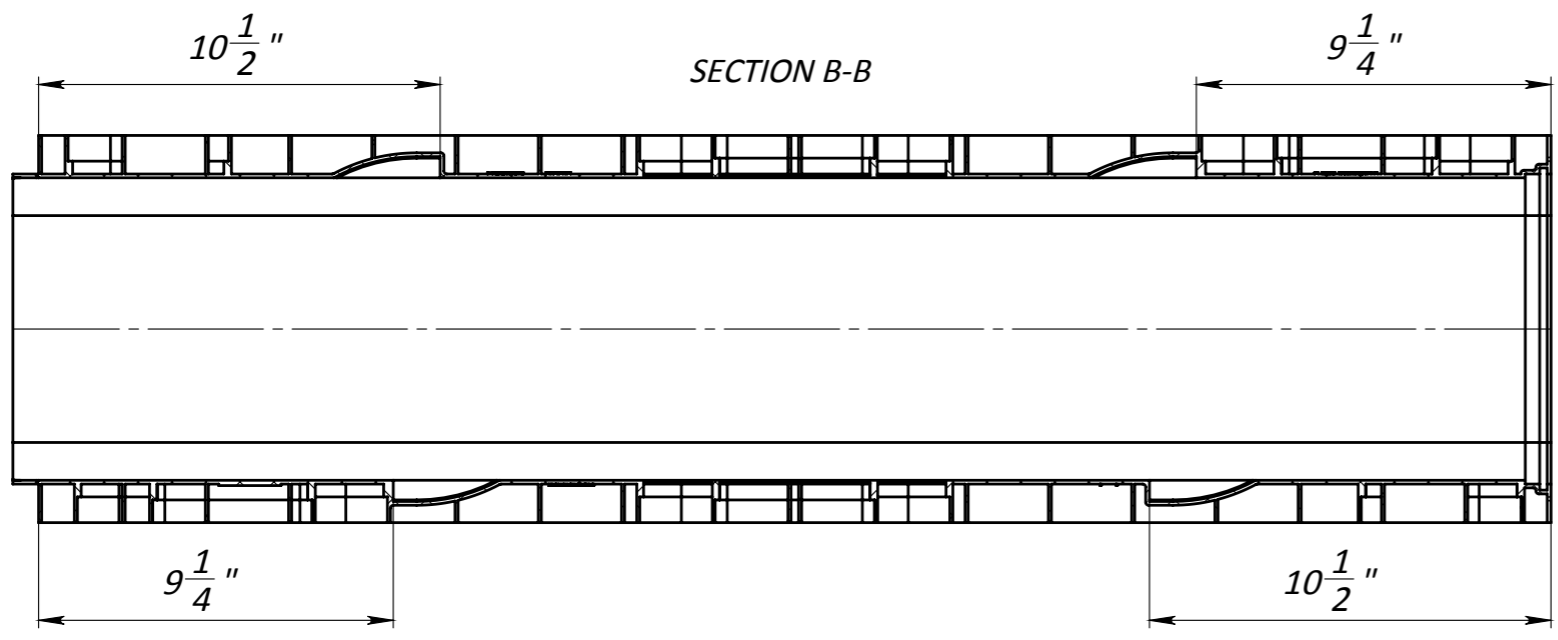
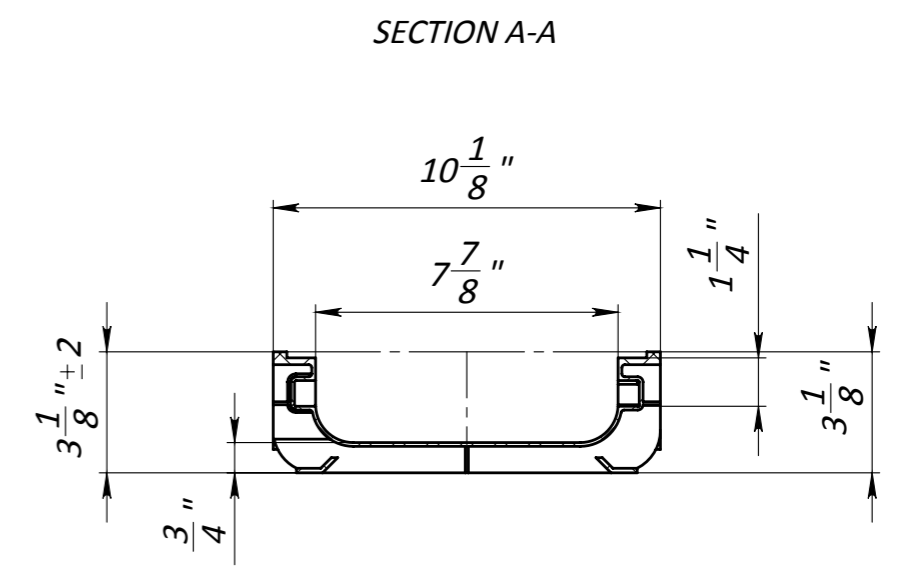
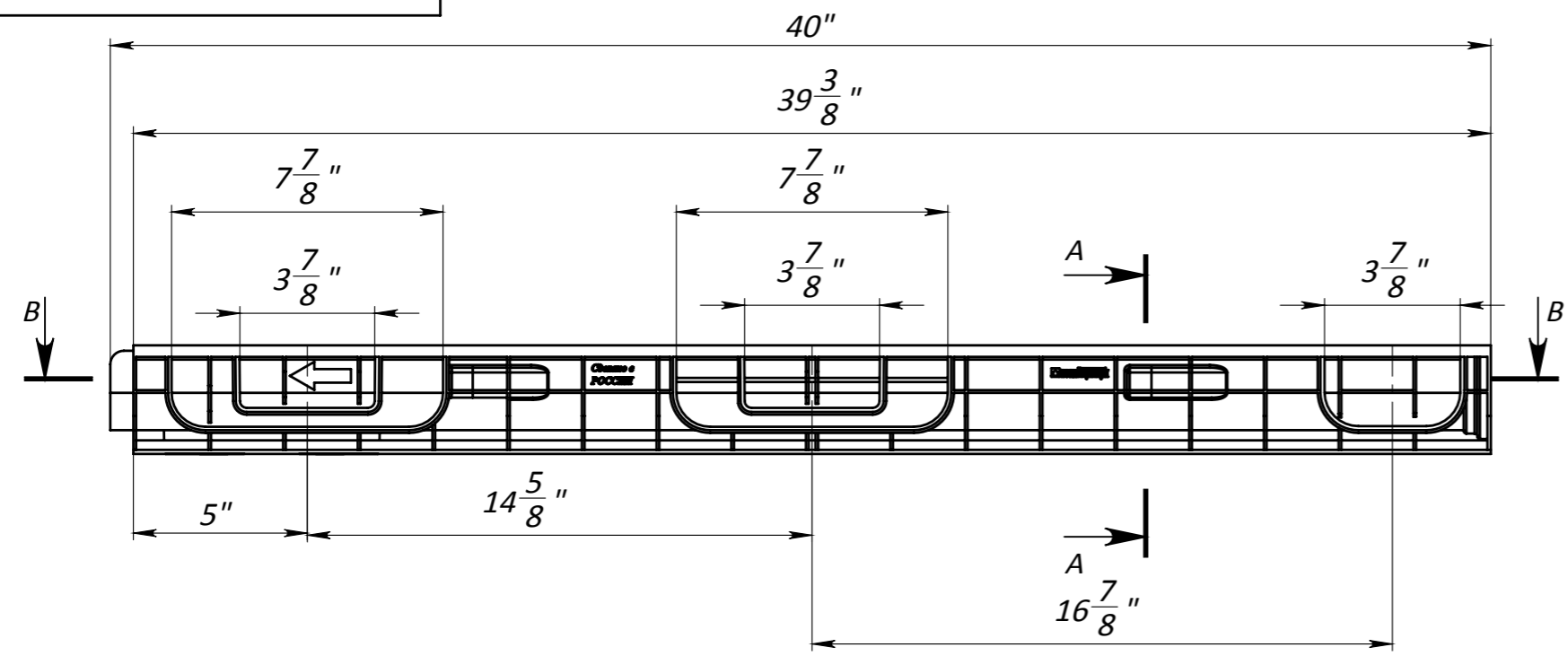


Primary Usage
Reference No.
Sign. and date
Copy inv. No.
Repl. Inv. No.
Sign. and date
Orig. Inv. No.

Plastic Channel 8"



				Art. 8510
				Plastic Channel 8"
Rev.	Sheet	Doc. No.	Sign.	Data
				11.15.16
NP-PC8510				Let.
				Weight (lb)
				3.64
				Scale
				1:5
				Sheet
				Sheets 1
Plastic				