

Primary Usage

Reference No.

Sign and date

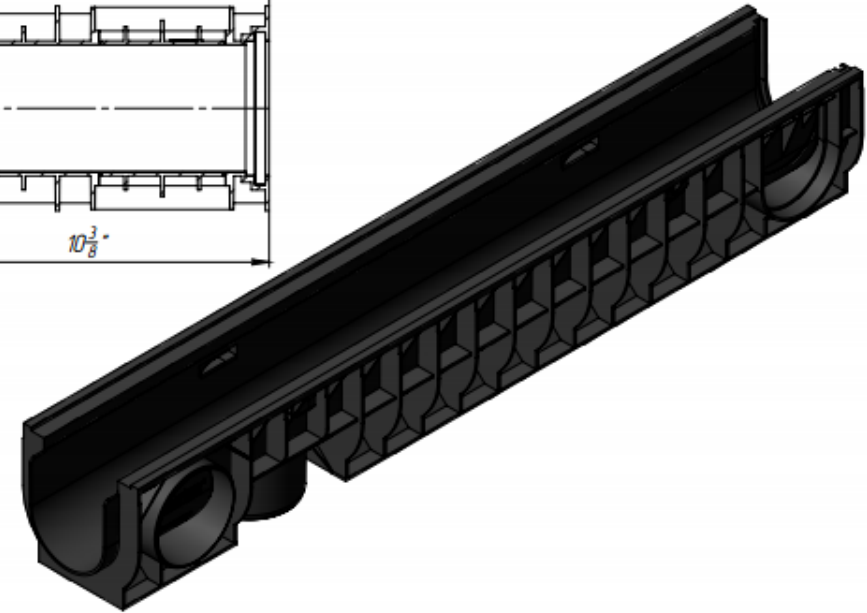
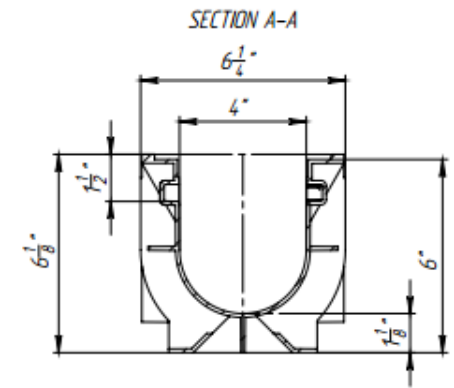
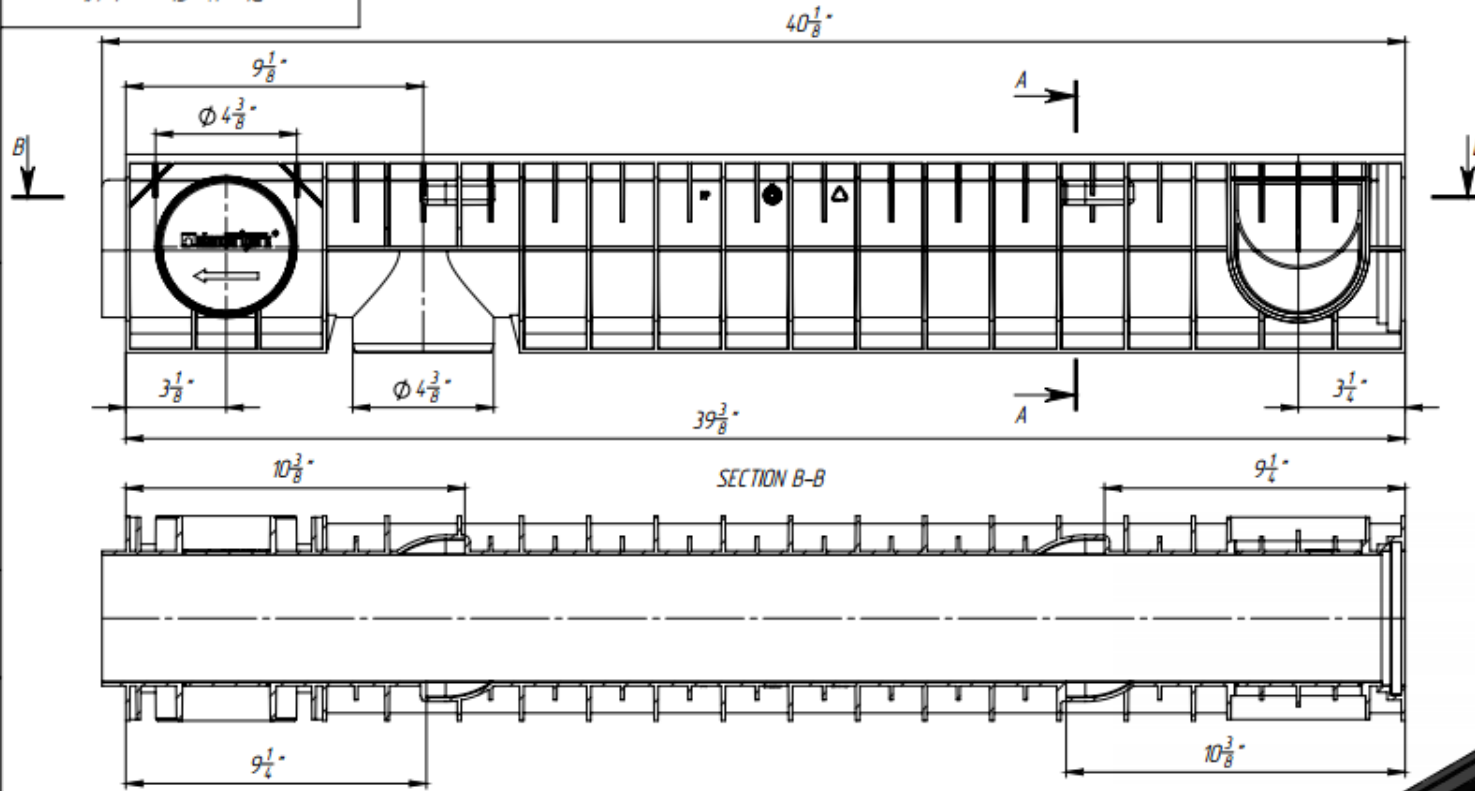
Copy Inv. No.

Rept. Inv. No.

Sign and date

Orig. Inv. No.

Plastic Channel 4"



- Material properties:
1. Water Absorption, 24 hrs 0.01-0.03 %
 2. Work Temperature -40 to 176°F
 3. Chemical resistance YES

				Plastic Channel 4"			Art.	8000
Rev.	Sheet	Doc. No.	Sign.	Data	Let.	Weight (lb)	Scale	
				04.08.16		4.66	1:4	
					NP-PC 8000			
					Plastic	Sheet	Sheets 1	