

W-00T9

Primary Usage

Reference No.

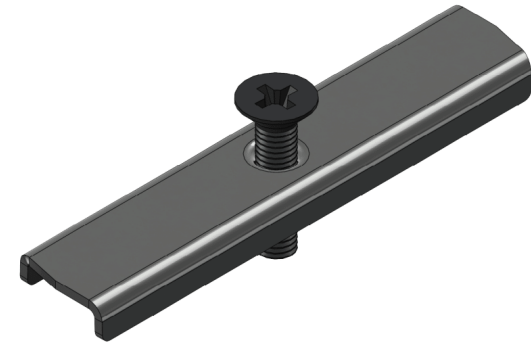
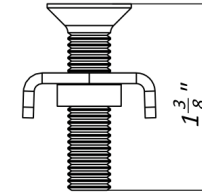
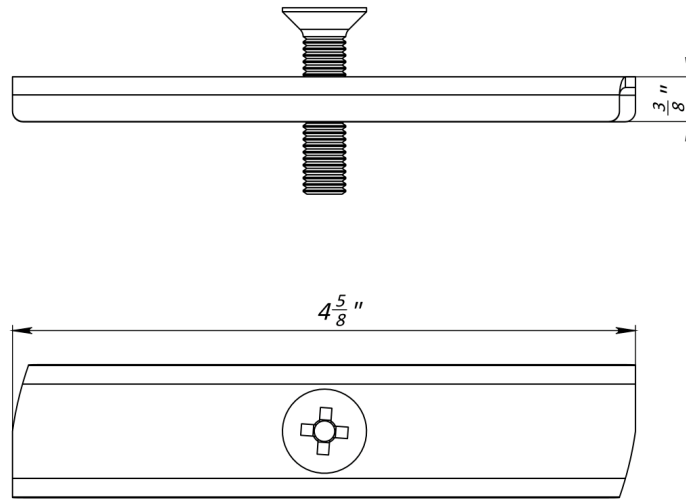
Sign. and date

Copy inv. No.

Repl. Inv. No.

Sign. and date

Orig. Inv. No.



1. Deviation of the actual weight of the nominal can be up to 12%

									Art.	6100-M	
									6100-M		
									Let.	Weight (lb)	Scale
										0.16	1:1
									Sheet	Sheets 1	
									galvanized steel		