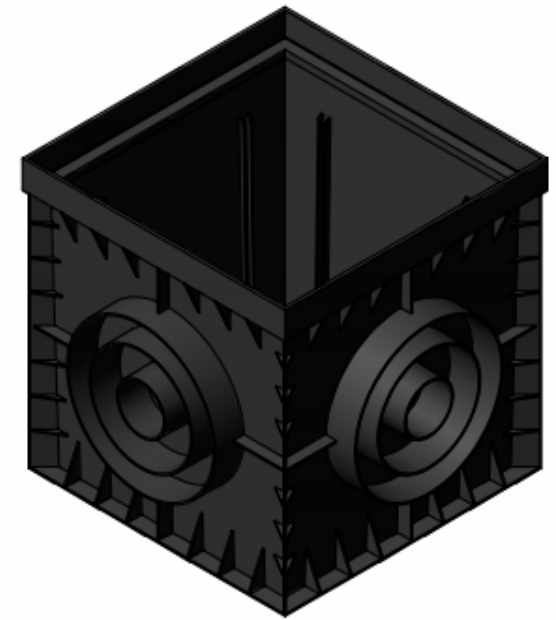
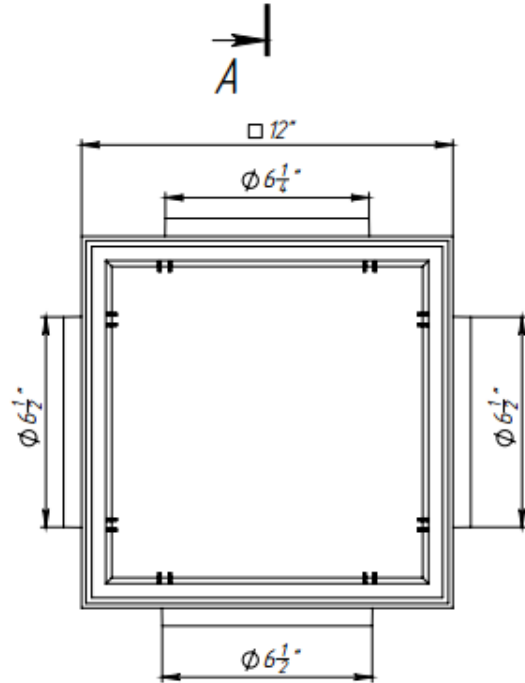
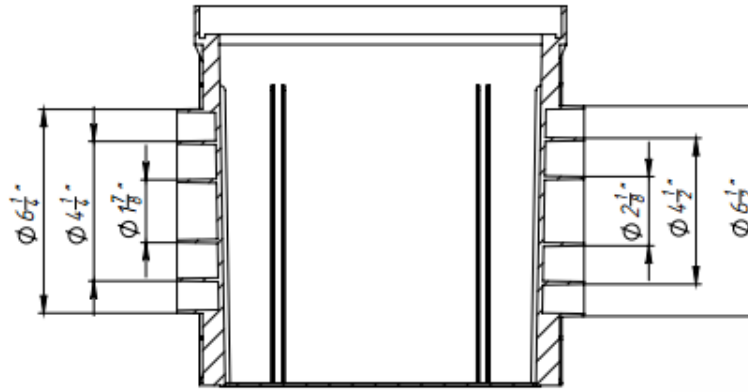
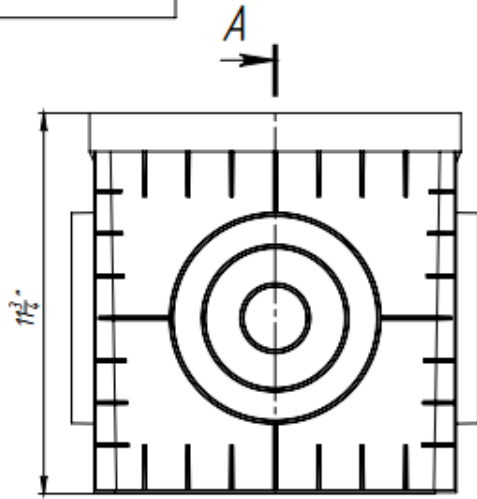


Plastic Storm Water Inlet 12x12 (RU)

SECTION A-A



- Material properties:
1. Water Absorption, 24 hrs 0.01 - 0.03 %
  2. Working Temperature -40 to 176 °F
  3. Chemical resistance YES

				Art.	8370-B
				Plastic Storm Water Inlet 12x12 (RU)	
Rev.	Sheet	Doc. No.	Sign.	Date	
				04.11.16	
				Let.	Weight (lb)
					3.94
				Scale	1:4
				Sheet	Sheets 1
				Plastic	