

Primary Usage

Reference No.

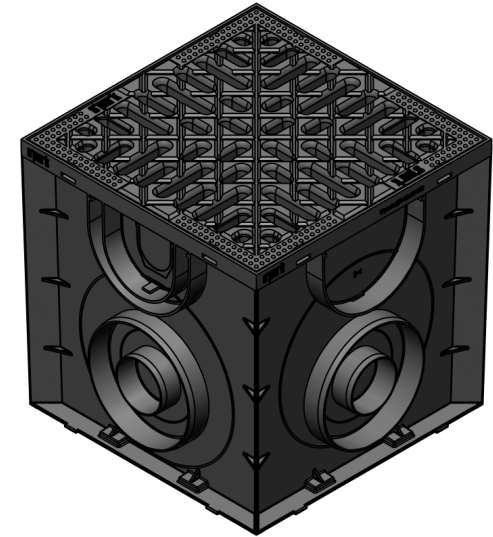
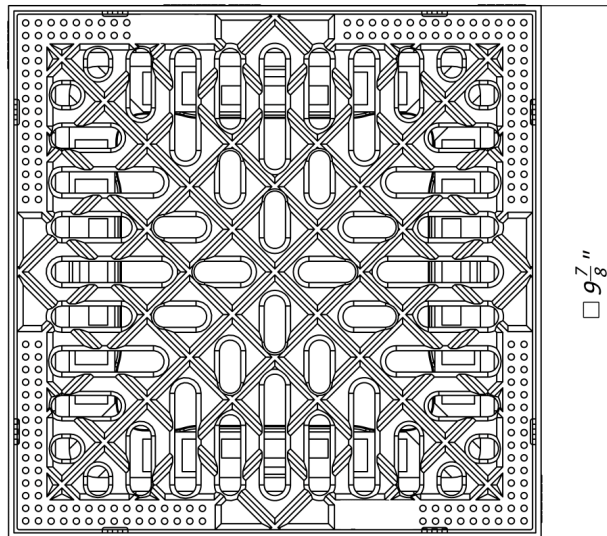
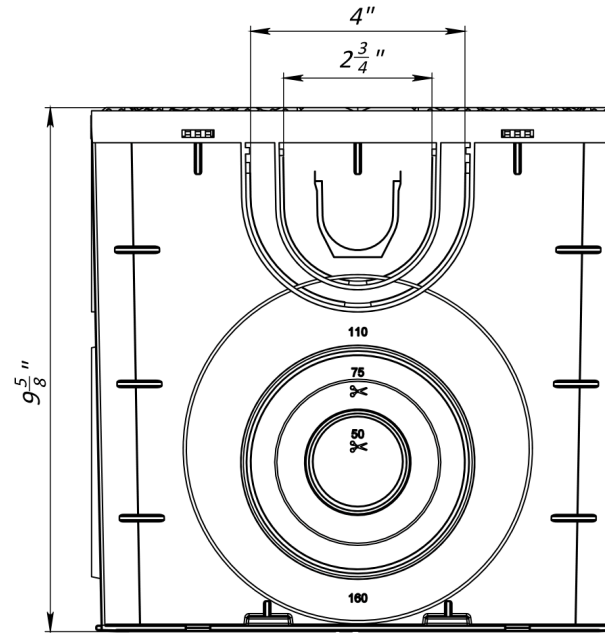
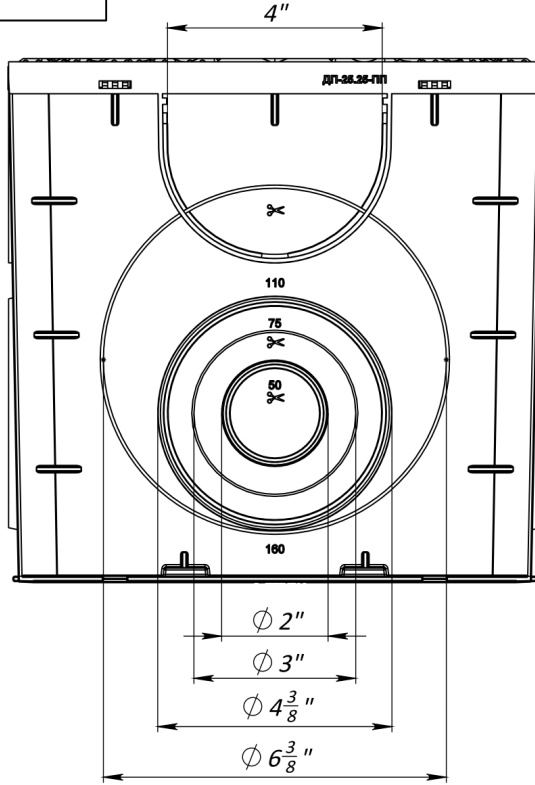
Sign. and date

Repl. Inv. No. Copy inv. No.

Sign. and date

Orig. Inv. No.

Plastic Storm Water Inlet 10X10



				Art. 08670811			
				Plastic Storm Water Inlet 10x10			
Rev.	Sheet	Doc. No.	Sign.	Data	Let.	Weight (lb)	Scale
				01.26.17		2.71	1:2.5
					Sheet		Sheets 1
					Plastic		VODALAND

**NP-SWI08670811**

Plastic

