

Controls & Features

Mark Location (MRK)

To mark a location for future alerts, press MRK twice, then VOL + or - to select the type of marker, then MRK again to confirm. Press twice while receiving marker alert to unmark

Sensitivity (SEN)

Press to adjust detector sensitivity (Highway, Auto, Auto NoX)

Brightness (BRT)

Press to adjust display brightness (Min, Med, Max, Auto, Dark)

Over Speed Alert/ Posted Speed Limit

Over Speed Alert setting that can be adjusted in Preferences. Displays **Bluetooth** icon when paired to phone, and posted speed limit for current location when connected to ESCORT Live

 *Over Speed Indicator*

 *Bluetooth Icon*

 *Posted Speed Limit*

Magnetic StickyCup Mount

Simply slide ESCORT MAX 360 on or off mounting bracket

Volume

Press and hold + or - to adjust volume

Power

Press to turn MAX 360 on or off

Mute

Press to mute an alert; press three times to lock out a false alert; press twice while receiving a locked-out alert to unlock

Threat-Direction Arrows

Report the direction an alert is coming from

Alert Area

ESCORT MAX 360 offers seven different settings for displaying front and rear alerts. See Preferences for details

Current Speed

Shows battery voltage when Speed Display is off



Settings & Preferences

Press and hold the BRT and SEN buttons to access Preferences. To exit Preferences, simply wait a few seconds without pressing a button. A **Completed** message will display confirming your selection(s).

	Press BRT to go from one category to the next	Press + or – to change your setting within a category
User Mode	Advanced* Novice	Access and customize all Settings and Preferences Access and customize units and display color, (all other Settings are set to factory defaults) <i>NOTE: Switch to Advance mode to view all Preferences</i>
Pilot Mode	Scanning* Full Word	Scanning Bar with Full Word Full Word: Auto, Auto NoX, or Highway
Arrow Mode	Single* Multiple Band	Displays blue threat-direction arrow for primary alert band Displays threat-direction arrows for multiple alerts based on Meter Mode settings. When using an FR2 meter mode: Rear arrow color is opposite of the selected display color Displays color-coded threat-direction arrows for multiple alert bands, based on Meter Mode settings. X = green, K = blue, Ka/Laser = red
Display Color	Blue* / Green / Red / Amber	Set color to match your vehicle's dash display
Speed Display	On* Off	Displays current speed Displays battery voltage
Cruise Alert	20 mph* Off / 20-160 mph	Offers double-beep alert tones if traveling below specified speed
Over Speed	70 mph* Off / 20-160 mph	Reminds you when you exceed a specified speed
Meter Mode	Standard Standard FR1* Standard FR2 Spec FR1 Spec FR2 Expert FR Simple	Primary alert band, with bar graph of signal strength Primary alert band, with front and/or rear bar graph(s) of signal strength Primary and secondary alert bands, with front and/or rear bar graph(s) of signal strength. Rear alert color is opposite of the selected display color Primary alert band, with numeric frequency and front and/or rear bar graph(s) of signal strength Primary and secondary alert bands, with numeric frequencies and front and/or rear bar graph(s) of signal strength. Rear alert color is opposite of the selected display color Multiple alert bands, with front and/or rear bar graph(s) of signal strength for each Caution (if traveling below Cruise Alert limit) Slow Down (if traveling above Cruise Alert limit)
Tones	Standard* Standard+ Mild	Standard ESCORT alert tones Standard ESCORT alert tones for primary alert and double-beep tones for additional alerts Mild doorbell chime alert tones
AutoMute	Low / Med* / High / Off	Automatically reduces audio to preferred volume during alert

AutoLearn	On* / Off	Automatically stores and locks out false alarms
Units	English* / Metric	Units for distance and speed
Language	English* / Espanol	Language for voice and text
Voice	On* / Off	Voice announcements
GPS Filter	On* / Off	Enables GPS-powered features
AutoPower	Off 1 Hour 2 Hours 4 Hours* 8 Hours	Power turns on or off depending on your vehicle's ignition type (constant power or switched) Powers off automatically after 1 hour Powers off automatically after 2 hours Powers off automatically after 4 hours Powers off automatically after 8 hours <i>NOTE: AutoPower only works with constant power-ignition. If AutoPower is on, the display screen goes blank after 30 minutes to save screen life. Display screen will turn on automatically after you reach 10 mph</i>
Band Enables	Default* Modified	Default Settings for North America Customize the bands you want to monitor
Press SEN to modify band preferences and go from one category to the next		Press + or – to change your setting within a category
X Band	On* / Off	
K Band	On* / Off	
Ka Band	On* / Off	
Ka-POP	On / Off*	
Laser	On* / Off	All laser guns used in North America
TSR	On* / Off	Automatically rejects traffic-flow-sensor false alarms
Marker Enables	Default* Modified	All markers on Customize the types of locations you want to mark for future reference
Press SEN to modify marker preferences and go from one category to the next		Press + or – to change your setting within a category
Other	On* / Off	Other location
Redlight	On* / Off	Red light camera
Red & Speed	On* / Off	Red light & speed camera
Speed Camera	On* / Off	Speed camera
Speed Trap	On* / Off	Speed trap
Air Patrol	On / Off*	Known aircraft patrolled areas <i>NOTE: User cannot mark an Air Patrol location</i>
Clear Locations	Marked Lockouts Defender Format	Clear all user-marked locations. Press SEN button to confirm Clear all lockouts. Press SEN button to confirm Clear all DEFENDER Database data. Press SEN button to confirm Clear DEFENDER Database, all markers, and all lockouts. Press SEN button to confirm

*Default Setting

Notes for Settings & Preferences

For descriptions of features and functions available when connected to ESCORT Live, visit EscortRadar.com and download the ESCORT MAX 360 Owner's Manual.

To view serial number and software revision press MRK and MUTE while powering on detector.

To restore ESCORT MAX 360 to its original factory settings, press and hold MRK and BRT while turning the power on. A **Restored** message will display, acknowledging the reset.

Software Updates

ESCORT MAX 360's red light and speed camera DEFENDER Database is easily updated using our exclusive detector software tools found on our web site. Firmware, or the operating software for the detector, can also be updated using these tools.

To have access to these updates, please register your ESCORT MAX 360 at www.EscortRadar.com. Once registered, you will receive email notifications that updates are now available for your database or firmware. To handle your software and DEFENDER updates you need to connect ESCORT MAX 360 to a computer via USB A / Mini B cable (not included).

Accessories

800.433.3487

EscortRadar.com

Designed in the USA

ESCORT Inc.
5440 West Chester Road
West Chester OH 45069

Sales / Service 800.433.3487
www.EscortRadar.com

©2016 ESCORT Inc. Escort®, ESCORT MAX 360®, Escort Live!™, Defender®, AFR®, TrueLock™, SmartShield™, SpecDisplay™, AutoSensitivity™, ExpertMeter™ and Cincinnati Microwave are trademarks of ESCORT Inc. Manufactured in the Philippines. Features, specifications and prices subject to change without notice.

FCC NOTE: Modifications not expressly approved by the manufacturer could void the user's FCC granted authority to operate the equipment.

FCC ID: QKLM6. CONTAINS FCC ID: QKLBT2.

This device complies with part 15 of the FCC rules. Operation is subject to the following two conditions: (1) This device may not cause harmful interference, and (2) This device must accept any interference received including interference that may cause undesired operation.

ESCORT Live Compatible



The Bluetooth® word mark and logos are registered trademarks owned by Bluetooth SIG, Inc. and any use of such marks by ESCORT is under license.

ESCORT[®]

MAX 360[®]

MAX 360

360° Radar / Laser Detection
with Alert-signaling Arrows



360°
ALERTS



360° Directional
Alert Arrows



Dual Antenna
Front / Rear Detection



GPS-Powered
Alert Accuracy



Lightning
Fast Response

Quick Reference



MAX 360

You've just purchased our first and only radar/laser detection system featuring a front-and-rear radar receiver and our all-new threat-direction reporting technology for 360° ticket protection—the ESCORT MAX 360.

Visit EscortRadar.com to access the comprehensive Owner's Manual.

Guía de Referencia Rápida Española traducida y manual con todas las funciones también son disponibles a www.EscortRadar.com.

ESCORT MAX 360 features a multi-color OLED display. Brilliant graphics illuminate intuitive icons that identify the type of threat at a glance.



Red light camera alert



Ka-Band alerts at front and rear



Ka-Band alert at front, x-Band alert at rear



- NEW front-and-rear radar receiver offers 360° ticket protection
- NEW threat-direction arrows report the direction an alert is coming from
- NEW magnetic mount allows for easy attachment and removal of unit from windshield bracket
- HD Performance identifies real threats sooner than any other detector, providing more advanced warning when you need it
- GPS location-based intelligence automatically locks out false alerts and allows you to mark locations for future reference
- Access to ESCORT's DEFENDER Database, which warns you of verified speed traps, speed cameras and red light camera
- Built-In **Bluetooth** technology gives you access to ESCORT's award-winning real-time ticket-protection app, ESCORT Live!



Live Ready!

H I G H D E F I N I T I O N R A D A R - L A S E R D E T E C T O R

Registration


Before downloading ESCORT Live you must first register your ESCORT MAX 360. Be sure to have your device nearby, as you will need the serial number. To view the serial number and software revision, press the MRK and MUTE buttons while powering on the detector.

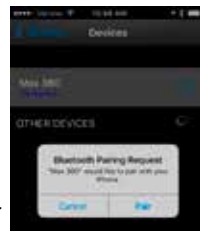
- 1 Visit EscortRadar.com, scroll to the bottom of the page, and click Product Registration.
- 2 Click the link under ESCORT Live! Ready Devices.
- 3 Follow the onscreen instructions to register your device.

Be sure to write down the username and password you create, as you will need this information to access and download ESCORT Live. (You will also receive an email with this information, once you have registered your device.)

Downloading ESCORT Live


For iPhone:

- 1 Ensure ESCORT MAX 360 power is ON
- 2 Open the App Store on your iPhone and search for **ESCORT Live Radar**.
- 3 Follow the onscreen instructions to download **ESCORT Live Radar** and then open the app.
- 4 When prompted, enter the username and password you created when registering your product at EscortRadar.com.
- 5 Press the Settings button  then select **Devices**.
- 6 You should see **Max 360** listed with Not Connected underneath. Press the **Max 360** device entry and when prompted select Pair.
- 7 The Bluetooth icon on the Max 360 display will appear to confirm that it is paired to your iPhone.



Warranty

For Android based smartphones:

- 1 Ensure ESCORT MAX 360 power is ON.
- 2 On your smartphone go to Bluetooth® Settings and make sure that Bluetooth® is ON.
- 3 Press Scan for devices and wait for the device list to populate. **Max 360 Live** should appear under Available devices.
- 4 Press the **Max 360** device entry.
- 5 The Bluetooth icon on the ESCORT Max 360 display will appear to confirm that it is paired to your smartphone.
- 6 Open Google Play on your smartphone and search for **ESCORT Live Radar**. 
- 7 Follow the onscreen instructions to download **ESCORT Live Radar** and then open the app.
- 8 When prompted, enter the username and password you created when registering your product at EscortRadar.com.
- 9 Open the app, walk through the tutorial, and you're ready to hit the road!

ESCORT One Year Limited Warranty

What this warranty covers: Escort, Inc. ("Escort") warrants your Product against all defects in materials and workmanship.

For how long: One (1) year from the date of original purchase from an authorized Escort dealer.

What we will do: If a breach of warranty occurs, Escort, at its discretion, will either repair or replace your Product free of charge.

What we will not do: Escort will not pay shipping charges that you incur for sending your Product to us.

What you must do to maintain this warranty: Show original proof of purchase or receipt from an authorized Escort dealer.

Warranty exclusions: This warranty does not apply to your product under any of the following conditions: 1. The serial number has been removed or modified. 2. Your product has been subjected to misuse or damage (including water damage, physical abuse, and/or improper installation). 3. Your product has been modified in any way. 4. Your receipt or proof-of-purchase is from a nonauthorized dealer or internet auction site, including E-bay, U-bid, or other non-authorized resellers. 5. You are not the original purchaser of the Product from an authorized dealer or did not receive it as a gift from the original purchaser of the Product from an authorized dealer.

To obtain service: 1. Contact ESCORT (1-800-543-1608) to obtain a Return Authorization Number. 2. Properly pack your Product and include: your name, complete return address, written description of the problem with your Product, daytime telephone number, and a copy of the original proof of purchase or receipt. 3. Label the outside of the package clearly with your Return Authorization Number. Ship the Product prepaid (insured, for your protection) to: ESCORT, Inc., 5440 West Chester Rd., West Chester, OH 45069.

LIMITATION OF WARRANTY: The obligations set forth above are ESCORT's sole obligations and your exclusive remedy. ESCORT makes no other express warranty. Any implied warranty of merchantability or fitness for a particular purpose that may be applicable to the Product is limited in duration to the duration of this warranty. Some States do not allow limitations on how long an implied warranty lasts, so the above limitation may not apply to you. ESCORT SHALL NOT BE LIABLE FOR CONSEQUENTIAL, SPECIAL OR INCIDENTAL DAMAGES INCLUDING, WITHOUT LIMITATION, DAMAGES ARISING OUT OF THE USE, MISUSE OR MOUNTING OF THE PRODUCT.

Some States do not allow the exclusion or limitation of incidental or consequential damages, so the above limitation or exclusion may not apply to you. ESCORT is not responsible for products lost in shipment between the owner and our service center.

Other legal rights: This warranty gives you specific legal rights, and you may also have other rights which vary from State to State.

©2016 ESCORT Inc. ESCORT® is a registered trademark of ESCORT Inc.

Installation

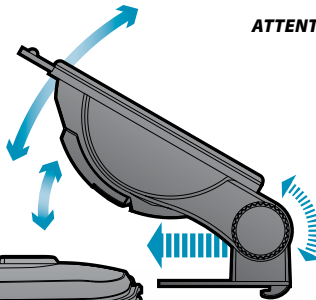
ESCORT MAX 360 comes with our new **Magnetic StickyCup Mount**. Simply slide the detector onto the mounting bracket fully and that's it. To remove the detector from the mount, simply pull the detector off the mount.

Mounting Tips:

- Place in center of windshield between driver and passenger.
- Ensure clear view of road ahead and sky above.
- Avoid windshield wipers and heavily tinted window areas.

To mount the detector in your vehicle:

- 1 Remove backing from StickyCup mount.
- 2 Firmly press StickyCup onto windshield and flip up locking clamp to secure.
- 3 Slide the detector all the way forward on the windshield mount until it stops. The magnet inside holds the detector in place.



ATTENTION: When placing the detector onto the windshield mount, firmly push the detector all the way forward onto the mounting blade until the detector stops.




- 4 To adjust view, loosen thumb wheel and adjust angle of mounting bracket. Tighten thumb wheel to secure.
- 5 To remove detector, simply pull the detector device off the mount bracket.
- 6 To remove mount from windshield, release locking clamp and pull tab on top of StickyCup.

StickyCup Care Instructions:

To clean your StickyCup, simply rinse under warm water, gently wipe off any debris and allow to air dry.

Controls & Features

Using ESCORT MAX 360

Plug small end of SmartCord into modular jack on ESCORT MAX 360 and large end of SmartCord into your car's lighter/accessory socket. ESCORT MAX 360 should power on automatically. If not, press the device's power button. 

NOTE: You can easily access and customize all of your Settings and Preferences by pressing and holding the BRT and SEN buttons. See Settings & Preferences for details.

Using SmartCord USB

- Mute Button
 - ▶ Press to mute the audio for a specific alert
 - ▶ Press three times to lock out a false alert
 - ▶ Press twice while receiving a locked-out alert to unlock
 - ▶ When connected to ESCORT Live press and hold mute button on unit or cord to manually report to other users a verified X or K-band alert, or a police officer observing traffic
- Alert Light
 - Blinks red when receiving a radar or laser alert
- Power Light
 - Lights green when receiving power
- USB Charging Port
 - Charge smartphones, tablets and other USB-charged devices



Modular Connector

Plugs into detector jack

SmartCord USB Adapter

Connects to lighter/accessory socket



Earphone Jack

Connects to optional 3.5 mm stereo earphone

Modular Jack

Connects to SmartCord USB for powering your detector

Mini USB Jack

Connects to your computer via USB A / Mini B cable for downloading software updates

Continued →