

# *ESCORT*® M2

## **Radar-Mounted Smart Dash Cam**

With GPS & Cloud Video Management



## **OWNERS MANUAL**



## Contents

INTRODUCTION.....	3
M2 DASH CAM FEATURES.....	3
PRODUCT SERVICE AND SUPPORT .....	4
WHAT'S IN THE BOX .....	4
OPTIONAL ACCESSORIES – available at <a href="http://www.escortradar.com">www.escortradar.com</a> .....	4
HARDWARE INTERFACE .....	5
INSTALLATION .....	7
BASIC OPERATION.....	10
INITIAL SETUP .....	11
DRIVE SMARTER® APP CONNECTION.....	11
CONNECTION ISTRUCTIONS .....	11
VIDEO SETTINGS.....	12
VIDEO AND PHOTO PLAYBACK MODE.....	12
MEMORY CARD STORAGE.....	13
SAFETY FEATURES .....	14
GENERAL SETTINGS.....	15
FIRMWARE UPDATES.....	18
TROUBLESHOOTING .....	19
FAQ.....	19
TRADEMARKS ACKNOWLEDGEMENT, WARNINGS, and REGULATORY INFORMATION.....	20
LIMITED 1-YEAR WARRANTY .....	21



Congratulations! You've made the smart choice by purchasing an M2 Dash Cam from Escort. The Escort M2 camera provides peace of mind by continuously recording the road in beautiful HD video. With cutting-edge features, phenomenal video quality, and an industry-leading focus on user experience, the Escort M2 is the best solution to record your ride.

## M2 DASH CAM FEATURES

- **Front-View Lens**  
with 1080P Full HD Quality
- **Dual-Band Wi-Fi**  
Flawless Connectivity
- **140° Field of View**
- **Embedded GPS**  
Location and Speed Information
- **Includes** 16GB SD Card



## PRODUCT SERVICE AND SUPPORT

For any questions about operating or installing this new Escort product, PLEASE CONTACT ESCORT FIRST...do not return this product to the retail store. The contact information for Escort will vary depending on the country in which you purchased and utilize the product. For the latest contact information, please go to [www.escortradar.com/support](http://www.escortradar.com/support)

## WHAT'S IN THE BOX

- M2 Camera
- USB Data Cable
- Long Bolt/Washers/Bracket for use with Windshield Mount
- Quick Start Guide



## OPTIONAL ACCESSORIES – available at [www.escortradar.com](http://www.escortradar.com)

### Direct Wire SmartCord: 0010058-1

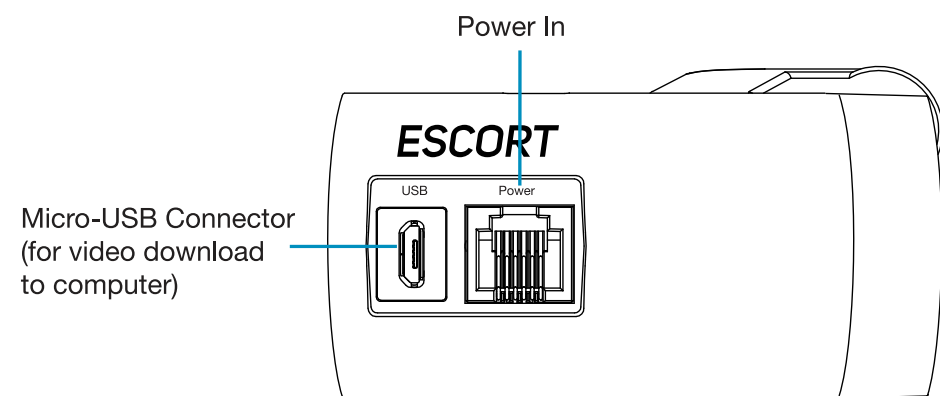
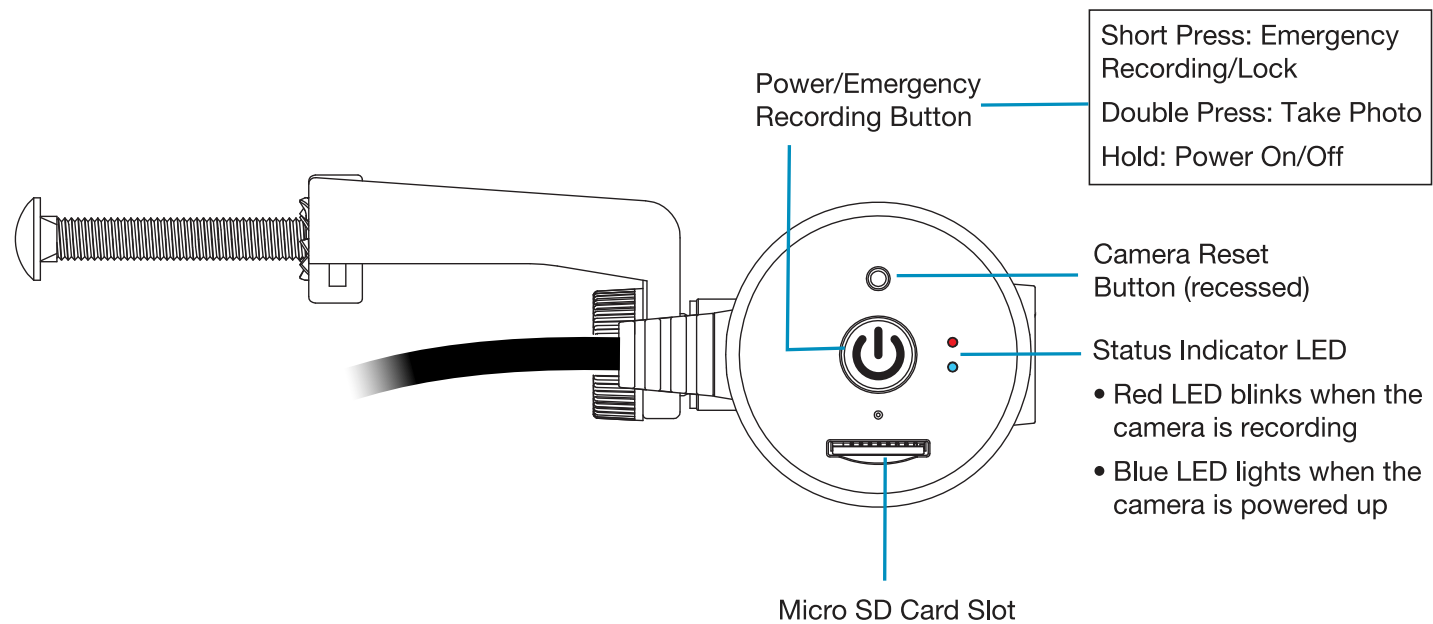
Wires your dash cam and radar directly into the fuse box for a quick and clean installation without any dangling wires. Necessary to enable Parking Mode features on the Dash Cam.







HARDWARE INTERFACE



**Note:** Some components from your compatible detector's mount will be used. Your M2 is pre-mounted on the Camera Mount Arm.

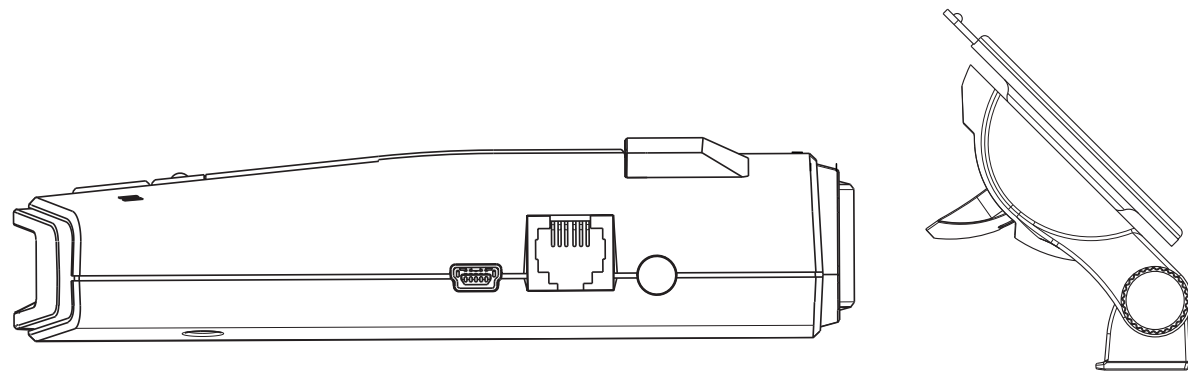




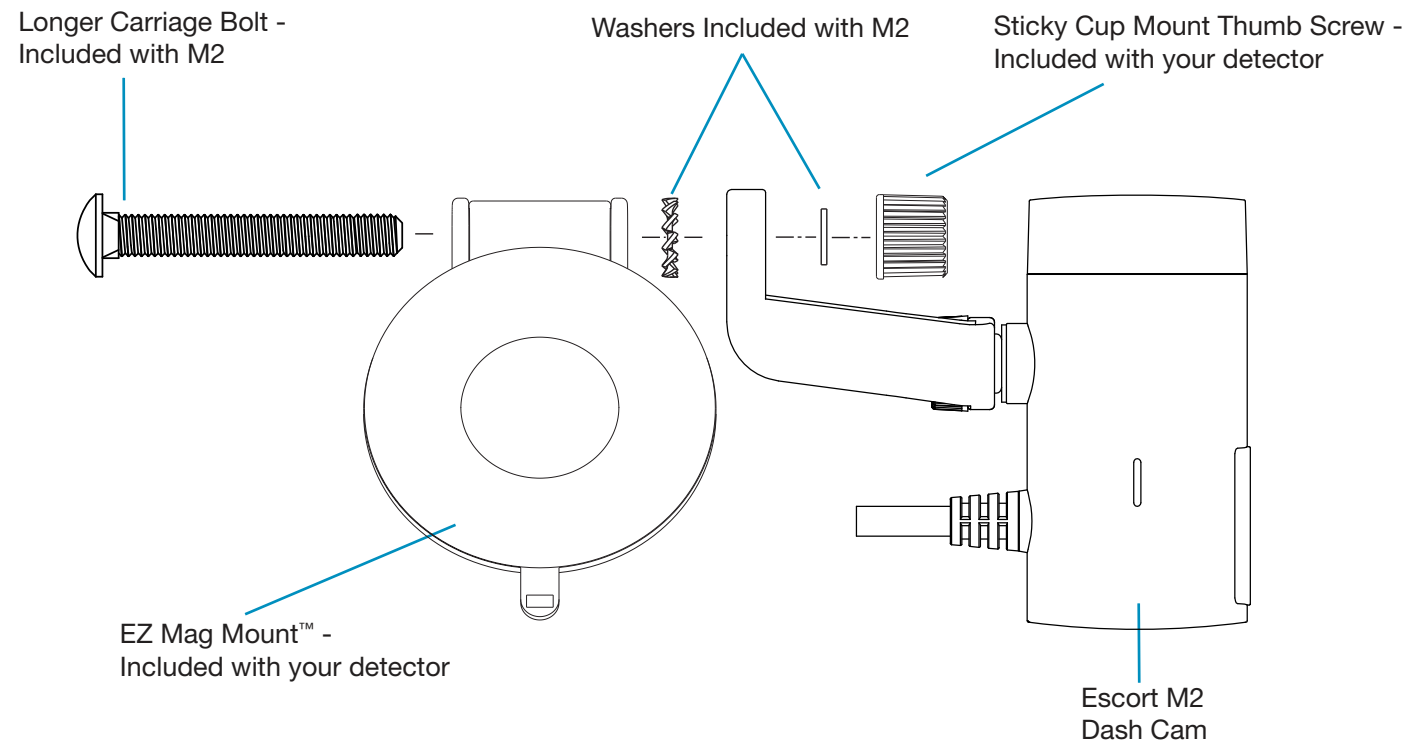
### Attach ESCORT M2 to EZ Mag Mount™

Remove your detector from the sticky mount and attach the M2 as shown below.

- 1 Remove Detector from Windshield and Detach EZ Mag Mount™



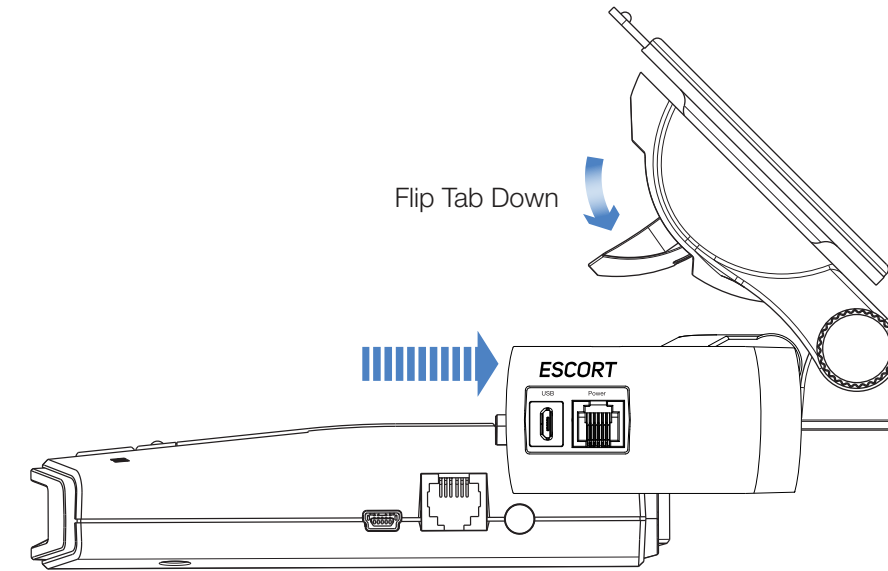
- 2 Attach ESCORT M2 to Mount



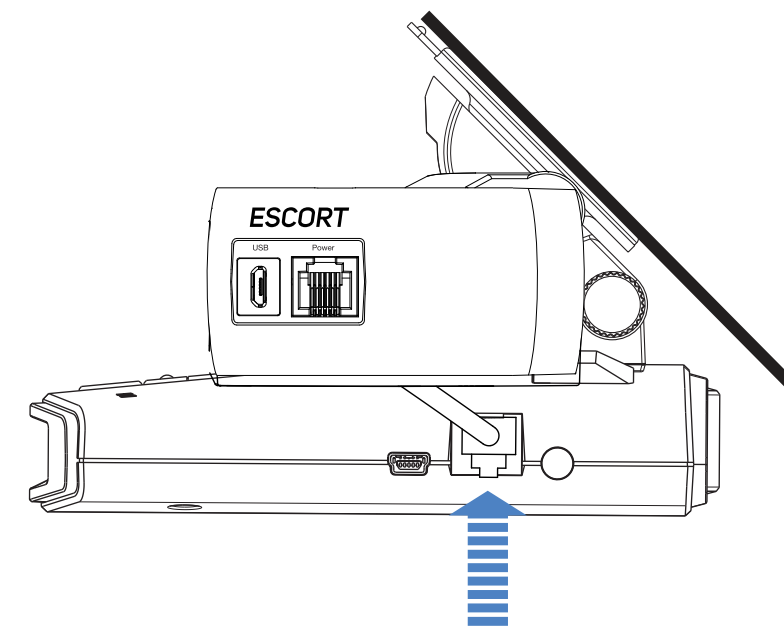
**Warning:** Tighten Thumb Screw firmly to ensure stable video recordings



- 3 Attach radar/laser detector to EZ Mag Mount™ with M2 installed

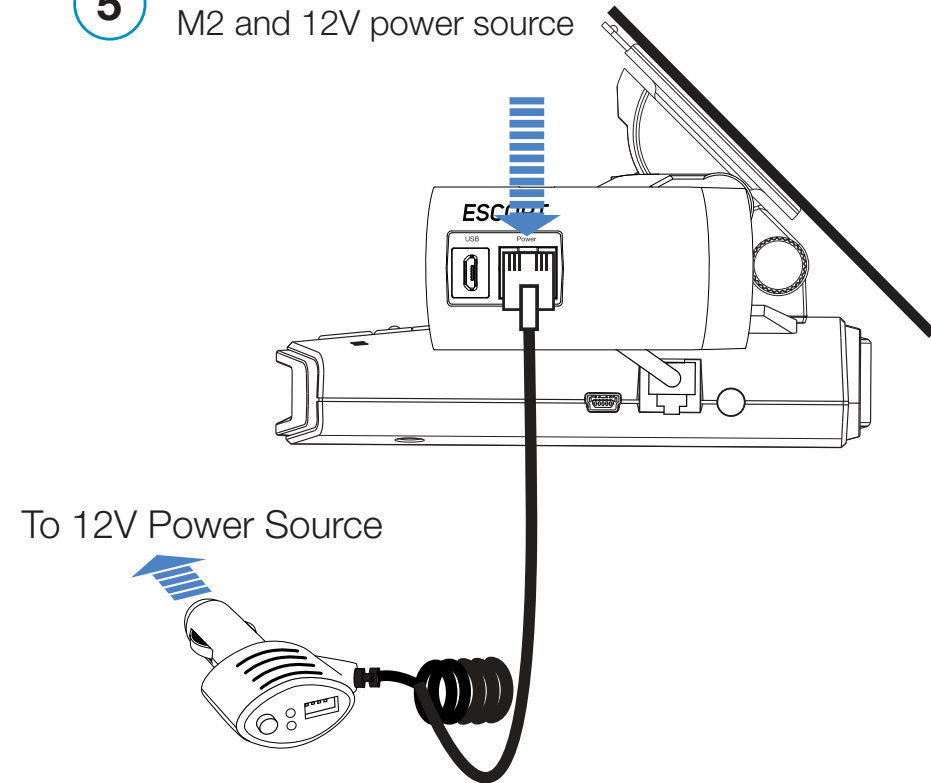


- 4 Connect M2 power cable to radar/laser detector

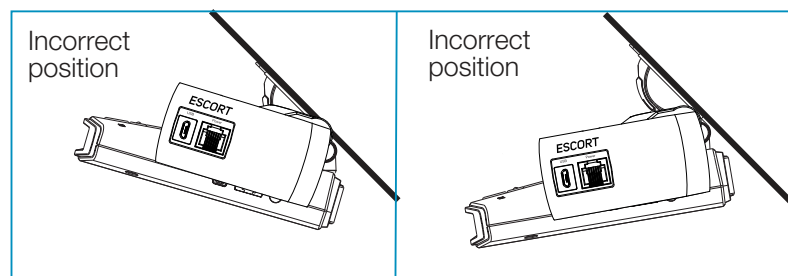
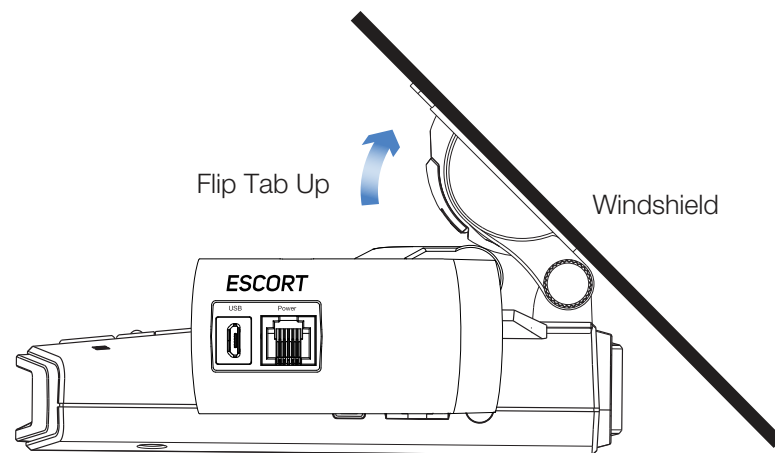




- 5 Connect Smart Cord to M2 and 12V power source



- 6 Mount to windshield, adjust radar/camera angle and tighten assembly screws



### POWERING ON THE DEVICE

The device will power on automatically when plugged in and can also be powered by **pressing and holding** the Multifunction button until the LED's activate (when connected to power).

### LOOP RECORDINGS

Once the SD card is full, the camera will continuously overwrite the oldest footage recorded with recent recordings. To protect a clip so that it will not be overwritten, press the Multifunction button so that the clip is moved into the locked content partition.

### EMERGENCY RECORDINGS

An Emergency Recording is triggered when the Multifunction button is pressed or when the G-Sensor registers a significant impact (hard braking or collision). Emergency Recordings create locked files that are not overwritten by Continuous Loop Recording. To ensure that important footage is not lost surrounding an incident, the prior video clip is locked if the incident happens within 30 seconds of the beginning or end of a clip.

### MICRO SD MEMORY CARD

The device comes with a Micro SD memory card. To remove the SD card, press firmly on the SD card to push it further into the slot. There will be a click and the SD card will pop out on release. Extract the card and replace as necessary by inserting a card into the slot and pressing until it locks in place. This camera is compatible with Micro SD cards up to 128GB. Please be sure to format the card in-camera before use. Class 10 high-endurance cards from reputable brands are recommended for constant video recording of a dash camera.

### VOLUME ADJUST

Models with LCD displays allow the user to select "Volume" in the setting menu to and adjust volume of notifications and voice announcements. Both products with LCD displays and without allow for volume adjustment using the Drive Smarter Mobile App.

### VOICE ANNOUNCEMENTS

Your M2 will use voice announcements to give you important camera system information when your SD card is full or an impact is detected.



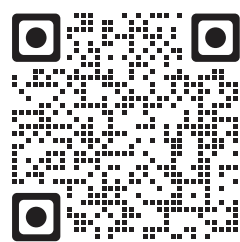
## INITIAL SETUP

When first powered on, the device will automatically begin loop recording. To adjust dash cam settings, you will need to connect to the Drive Smarter mobile app. We strongly recommend to pair with the Drive Smarter App to download the latest firmware and adjust the camera's settings. Please follow the directions below to pair the app with the camera.

### DRIVE SMARTER® APP CONNECTION

The M2 uses a Bluetooth® connection to the Drive Smarter app. Smartphone integration allows for:

- **Cloud Video Management:** Viewing your camera's footage from the phone without having to connect the camera or SD card to a computer. From here you can download videos and save them to your phone
- **Live-View:** Viewing a live-stream into the camera when within proximity of the camera's Wi-Fi network.
- **MayDay:** Drive Smarter's MayDay feature allows you create an emergency contact and auto-upload your location and MayDay notice when the camera's G-Sensor detects a severe impact/collision.
- **Over-The-Air Firmware Updates:** Have the latest features and bug-fixes loaded to your camera via the mobile application.
- **Configure Camera Settings:** Change your resolution, enable parking mode, set the date and time, and more through the app.



## CONNECTION INSTRUCTIONS

1. Start the Drive Smarter App and log in/create an account.
2. Follow the instructions in the Drive Smarter App to create a vehicle and connect the camera
3. When complete, a chime will sound on the camera and it will appear as Connected in the Drive Smarter App.

## VIDEO SETTINGS

### Video Resolution:

This setting allows you to set the following resolutions on your M2. Higher resolutions will give you a clearer image but generate larger file sizes.

The available resolutions are:

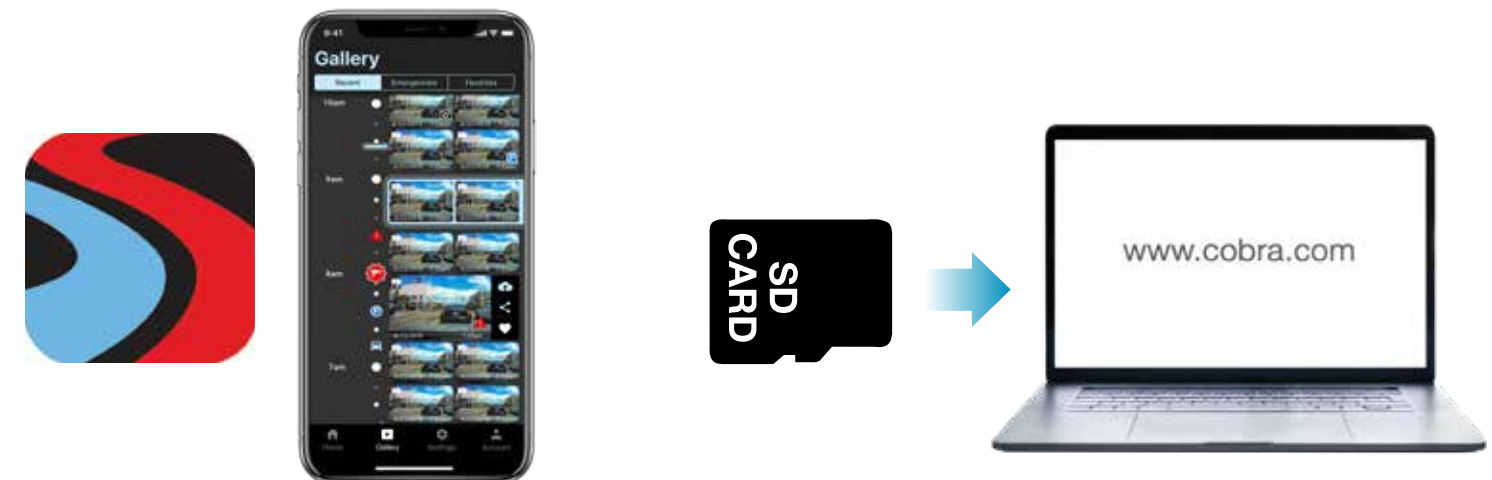
- 1080P Full HD ..... 1920x1080 30 Frames per Second
- 720P HD ..... 1280x720 30 Frames per Second

### Loop Clip Time:

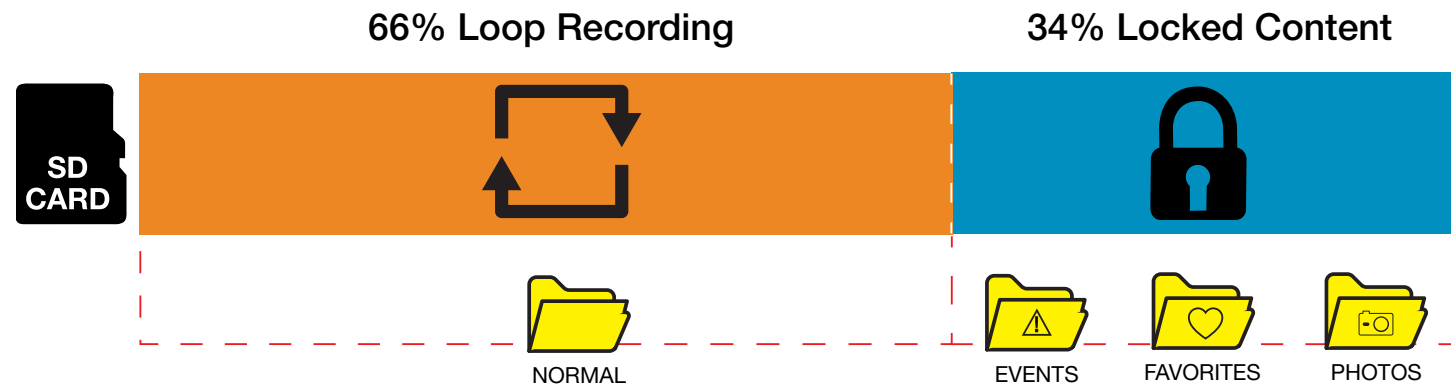
This setting allows you to control the duration of each individual movie clip on the device. Video clips can be set to durations of 1 minute, 2 minutes, or 3 minutes.

## VIDEO AND PHOTO PLAYBACK MODE

This device stores video and pictures on its removable Micro SD Card. You can view the camera's videos and photos using the Drive Smarter App or by removing the SD card and inserting it into your PC.



## MEMORY CARD STORAGE



### Loop Recordings:

Once the SD card is full, the camera will continuously overwrite the oldest footage recorded with recent recordings. To protect a clip so that it will not be overwritten, press the Multifunction button while recording so that the clip is moved into the locked content partition.

### Emergency Recordings:

An Emergency Recording is triggered when the Multifunction button is pressed or when the G-Sensor registers a significant impact (hard braking or collision). Emergency Recordings create locked files that are not overwritten by Continuous Loop Recording. To ensure that important footage is not lost surrounding an incident, the adjacent video clip is locked if the incident happens within 30 seconds of the beginning or end of a clip.

### Photos:

Photos are automatically saved in the Locked partition of the SD card.

Once your Locked Content partition is full of Events, Favorites, and/or Photos you will be asked to “Format the SD Card” by the camera. You can do this by formatting the SD card on your PC or by using the Drive Smarter App. This will delete your Locked content and make space for new content. Please save all important footage by downloading via the Drive Smarter app or by manually uploading to your PC.

## SAFETY FEATURES

The M2 Dash Cam comes with several safety features designed to protect you and your vehicle. You can adjust the level of protection that fits you via Drive Smarter App settings.

### G-Sensor Impact Detection:

The M2 Dash Cam includes a built in G-Sensor which allows the device to determine when the car has been in a collision. If it detects a collision, it automatically locks the recording being made at the time of the accident. Additionally, if the event occurs within 30 seconds of the start or end of a clip, the adjacent recording will also be locked so you always have at least 30 seconds saved from before and after the event. You can use this setting to set the sensitivity of the G-Sensor from 1-3 or turn it off. Level 1 is the easiest to activate the G-sensor. Level 3 will only lock videos when the most severe impacts are detected. Locked videos created as a result of a G-sensor impact detection are stored in the Events folder on the SD card.

### Parking Mode & Motion Detection:

Enable by connecting to the Drive Smarter app and enabling Parking Mode and/or Motion Detection.

Parking Mode uses the Motion Sensor and G-Sensor to monitor while your vehicle is parked. When you are parked, the dash cam will be “sleeping”, but it will monitor surroundings for motion along with G-Sensor impacts. If it detects motion or if it detects an impact, then the unit will wake up and start recording.

The camera will enter parking mode after 5 minutes. If there is no motion is during this period, the recording will stop (the camera monitors for g-sensor impacts or motion). If motion is detected or if a G-sensor impact above Level 1 is triggered, the unit will wake up and start saving 1 minute clips for as long as activity is being detected.

### Notes:

- Parking Mode only works properly if the dash cam is powered. Either the Cigarette Lighter Socket must remain on with the ignition off, or the dash cam must be hardwired to a constant power source (use optional hardwire cord 0010058-1).
- If you park where there is lots of activity which keeps triggering the motion sensor, then the unit might never time out and enter the sleep state. For this you can use the “Auto Surveillance Shutoff” setting to prevent unnecessary recording.

If leaving your vehicle off for more than 48 hours (or less if your battery is old) please use the “Auto Surveillance Shutoff” setting to set a time-limit on Parking Mode and prevent your battery from being drained.

- You can choose to have your camera monitor for impacts and/or motion by controlling the ‘Parking Mode’ and ‘Motion Detection’ settings separately.



## GENERAL SETTINGS

Connect your M2 to the Drive Smarter App to configure the following settings.



### Video Resolution:

Allows you to select the desired video resolution for loop recordings and emergency videos. Lower resolution settings result in smaller file sizes, which makes the files easier to transfer and share.

### Loop Clip Time:

Loop recordings and emergency videos can be saved in 1 min, 2 min, or 3 min clips depending on your preference. Smaller (1 min) files are easier to transfer to your phone and share.

### Wi-Fi:

Allows enabling/disabling WiFi connection on the device and viewing the camera's WiFi name and password.

### GPS:

GPS can be disabled if needed. Enabling this setting allows your recordings to have an exact GPS location stamped on the footage. This also always allows you to know the location of your vehicle if the camera is wired via a hardwire kit and connected to a Wi-Fi hotspot installed in the car.

### Date/Time:

- Enable "Automatic" mode to have date / time settings based on the camera's GPS signal. Having the correct date and time ensures that timestamps associated with your videos are accurate. In this mode, you will still have to ensure that you have picked the correct "Time Zone" and enabled or disabled "Daylight Savings" based on your location.
- To manually set the date and time, cursor down to "Manual", and select it. You will now be able to enter Date and Time information.

### Microphone:

The microphone can be enabled or disabled via settings or on the main screen. When disabled your recorded videos will be silent.

### Motion Detection:

Enabling Motion Detection allows your camera to monitor movement around the camera (changes in light) which can be used to record any suspicious activity around the vehicle when parked. This setting screen allows you to choose which of the available cameras should be used to monitor for activity. If leaving your vehicle off for more than 48 hours (or less if your battery is old) please use the "Auto Surveillance Shutoff" setting to set a time-limit on Motion Detection to prevent your battery from being drained.

**Note:** For Motion Detection to work the camera needs to be connected via hardwire kit (part: 0010058-1) or be plugged into an 'always on' Cigarette Lighter Socket. You can check if your vehicle has an 'always on' CLA adapter online or in the vehicle's owner's manual.

### Parking Mode:

Enabling Parking Mode allows your camera to monitor for changes in its internal G-Sensor/accelerometer. Bumps, Collisions, and break-ins can trigger the G-Sensor to save valuable footage from the moment of impact. If leaving your vehicle off for more than 48 hours (or less if your battery is old) please use the "Auto Surveillance Shutoff" setting to set a time-limit on Motion Detection and prevent your battery from being drained.

**Note:** For Parking Mode to work the camera needs to be connected via hardwire kit (part: 0010058-1) or be plugged into an 'always on' Cigarette Lighter Socket. You can check if your vehicle has an 'always on' CLA adapter online or in the vehicle's owner's manual.

### Surveillance Auto Shutoff:

If leaving your vehicle off for more than 48 hours (or less if your battery is old) please use the "Auto Surveillance Shutoff" setting to set a time-limit on Motion Detection and Parking Mode to prevent your battery from being drained.

### G-Sensor:

You can use this setting to set the sensitivity of the G-Sensor from 1-3 or turn it off. Level 1 is the easiest to activate the G-sensor. Level 3 is the setting which will only lock videos when the most severe impacts are detected. Level 1 is recommended for most users.

### Watermark (Date/Time, Speed, GPS, Driver ID Video Stamp)

The watermark settings allow you to toggle having the date/time, speed, GPS coordinates, the Escort logo and a custom Driver ID be stamped into the bottom of all recorded video.

### Driver ID Watermark:

This setting allows you to associate a Driver ID with the camera (for example: John, Employee 12, or a license plate number, etc). This allows you to set the name of the driver which will be stamped on the footage as part of the watermark.

### Exposure:

Allows you to adjust how light or dark videos and images will appear on the camera.

### Drive Smarter Services:

These settings allow you to select which videos you would like auto-uploaded to the Drive Smarter App for sharing/review. You can also choose to have Incident Reports sent to your insurance provider, as well as Mayday alerts sent to your Emergency Contact if a severe G-Sensor event is detected.

### Speed Units

Choose between miles/hour or kilometers/hour as the speed unit stamped in the watermark.

**Volume:**

Allows you to raise and lower the volume of notifications and button beeps from your camera.

**WDR:**

Enabling Wide Dynamic Range allows your camera to accurately capture footage in very bright conditions. Enabling this feature is recommended for most recording conditions.

**GPS Format:**

Choose between Decimals and Degrees as the GPS format that is stamped in the watermark.

**Frequency:**

Choose between 50Hz and 60Hz as your operating frequency if you are experiencing flickering in your video.

**Format Reminder:**

Choose the recurrence at which you are reminded to format the Micro SD card. Formatting the SD card frequently ensures your videos are protected and the SD card is saving content properly.

**Delete Videos Reminder:**

Set this to be periodically reminded to free up locked video content so that the camera does not run out of “Emergency Recordings” and “Favorites” space.

**Restore Defaults:**

Resets the device to factory settings. Note that restoring defaults will NOT erase data on your memory card.

**Format SD Card:**

Allows you to format the inserted SD Card. NOTE: This action will permanently delete all data on the card. It is recommended to format any new card and periodically format existing cards.

**About**

You can use this setting to view your cameras electronic serial number, manufacturer part number, and Firmware version.

Ensure the camera is connected to a constant power source during the update process. Failure to do so could result in your unit becoming non-functional. Your vehicles cigarette lighter socket or a household outlet work best.

**Using the Drive Smarter App**

- Power up your camera by connecting to constant power source such as your vehicles CLA adapter or a household outlet.
- When you Connect your camera, the app will check if a newer firmware update is available on the server.
- Press ‘Download’ on the notification to download the latest Firmware.
- Follow the instructions on the Drive Smarter App. If successful, the camera’s LED’s will begin blinking while the firmware is being installed.
- To confirm that the Firmware update was successful, you can check the ‘About’ screen in your camera’s settings menu

**Using a Mac or PC**

For optimal performance, check [www.drivesmarter.com](http://www.drivesmarter.com) periodically for software updates.

- Connect the dash cam to your computer using the included USB to Micro-USB cable.
- The camera will be listed in Windows Explorer/Finder.
- Download the update file from [www.drivesmarter.com](http://www.drivesmarter.com) and save it to your computer. It will end with “.bin” as the file extension. Note: You do not need to double click or open this file on the computer.
- Copy/paste the .bin file you downloaded into the root directory into the root directory of the Camera’s SD Card.
- Wait for the file to transfer and then safely disconnect the Dash Cam from the computer. The Dash Cam will turn off.
- Plug the Micro USB cord into a reliable power source such as your home’s outlet or your vehicle’s CLA adapter. The Dash Cam will turn on and automatically boot into the Firmware Update Menu.
- Follow the directions on the camera display to update firmware if the unit has one. Units without displays will update automatically.
- You can check if your camera is up to date by checking the firmware in your camera’s ‘About’ setting submenu in the camera or via the app.

If your unit does not appear to be operating properly, please follow these troubleshooting steps:

- Make sure the power cord is properly connected.
- Make sure the socket of your vehicle's cigarette lighter is clean and free of corrosion.
- Make sure the power cord's cigarette lighter adapter is firmly seated in your cigarette lighter
- Make sure you have downloaded the latest firmware to your unit

## FAQ

- Where do I mount/position my Dash Camera on the windshield?
  - a. Power on your dash cam so you can see the camera's view while mounting. We recommend centering your camera and mounting it under the rear-view mirror. If your unit has a display, you can use the Camera's "Calibrate" feature found in the ADAS menu to line up your view. M2 users can use the Drive Smarter app to get a live-view of what the camera is seeing to help with mounting.

- What is the largest MicroSD card size I can use in my camera?
  - a. We recommend using a minimum Class 10 or U1 card from a reputable vendor up to the following sizes.

Model	M2
Max SD Card Size	128GB

**Important:** When using a Micro SD card for the first time please format the card in the camera by using the camera menu or the Drive Smarter app.

- Why is my unit not powering up?
  - a. Please ensure your unit is properly connected. If you have turned the unit off, press and hold the power button to turn on again. If you are using Parking Mode and Motion Detection Mode with a hardwire kit, the unit might not "wake up" when you enter your vehicle. Simply begin driving and when your unit detects this it will wake up and begin recording.
- Why do recordings of the cabin/vehicle's interior appear black and white?
  - a. This is normal operation of the Infrared LED night-vision camera. Infrared recording allows the camera to accurately record your vehicle's cabin in low-light conditions. You can turn Infrared recordings off in the settings menu.
- How do I use Parking Mode and Motion Detection?
  - a. Parking Mode and Motion Detection can be turned on in the camera's settings using the Drive Smarter App. These two features will monitor your vehicle automatically when the unit is connected directly to the car's fuse box via hardwire kit (part 0010058-1 available at [www.escortradar.com](http://www.escortradar.com)).

**Note:** When the car is parked your unit will go into a low-power "standby"/sleeping state where it monitors for activity. The unit will automatically wake up when it detects significant motion or driving.

- Why is my unit not getting a GPS Lock (GPS icon is red)?
  - a. The GPS inside the device locks in with the satellite best when you are on the road. You may not be able to get a GPS lock while in your garage, parking structures, or if testing the camera in your home.

©2021 ESCORT INC. ESCORT is a trademark of ESCORT Inc., USA.

The Bluetooth® word mark is a registered trademark owned by Bluetooth SIG, Inc. and any use of such marks by ESCORT Inc. is under license. Other trademarks and trade names are those of their respective owners.

The Driver Awareness Alert display feature is subject to US Patent Numbers 8,842,004 and 8,970,422 and additional pending US Patent Applications.

**Warning!** The forward collision warning system (FCWS) feature, when turned on, is for limited informational purposes only. The FCWS does NOT replace a driver's responsibility to use safe driving judgment, comply with all traffic regulations and observe all road and driving conditions at all times. The FCWS uses the camera to provide a warning of upcoming vehicles [and large objects] and, as a result, may have reduced or no functionality in low visibility or certain weather conditions.

Driver is responsible for the safe operation and control of the vehicle. Do not substitute your driving judgment with the information provided by this feature. Escort disclaims liability for injuries, damages, or death arising from use of this feature.

**Warning !** The Lane Departure Warning System (LDWS) feature, when turned on, is for limited informational purposes only. The LDWS does NOT replace a driver's responsibility to use safe driving judgment, comply with all traffic regulations and observe all road and driving conditions at all times. The LDWS uses the camera to provide a determine if the vehicle is drifting toward or departing from designated lane markings and, as a result, may have limited functionality in low visibility or certain weather conditions or when driving on unmarked or poorly marked roads.

Driver is responsible for the safe operation and control of the vehicle. Do not substitute your driving judgment with the information provided by this feature. Escort disclaims liability for injuries, damages, or death arising from use of this feature.

**NOTE:** This device complies with part 15 of FCC rules: Operation is subject to the following two conditions: (1) This device may not cause harmful interference, and (2) This device must accept any interference received including interference that may cause undesired operation.

**CAUTION:** Modifications or parts not approved by Escort Electronics Corporation may violate FCC Rules and void authority to operate this equipment. This device complies with RSS-310 of Industry Canada. Operation is subject to the condition that this device does not cause harmful interference.

CAN ICES-3B/NMB-3B.



**DISPOSAL OF ELECTRONICS EQUIPMENT:** This product may contain hazardous substances that could impact health and the environment if not disposed of properly.

The crossed out wheeled bin symbol indicates that the product should not be disposed of along with household waste. It should be handed over to an applicable collection point for the recycling of electrical equipment. By ensuring that this product is disposed of correctly you will help/prevent potential negative impact on the environment.

If you need more information on the collection, reuse and recycling systems, please contact your local civic office or the shop where it was originally purchased.



## LIMITED 1-YEAR WARRANTY

Escort, Inc. ("Escort") warrants that this product and the component parts thereof, will be free of defects in workmanship and materials for a period of one year from the date of first consumer purchase. This warranty may be enforced by the first consumer purchaser. If the product is under warranty, it will be repaired or exchanged depending on the model as determined at Escort's sole discretion. Such remedy shall be your sole and exclusive remedy for any breach of warranty.

The procedure for obtaining service and support, and the applicability of this warranty, will vary depending on the country or jurisdiction in which you purchased and utilize the product. For the details on obtaining product service, support and warranty please visit <https://www.escortradar.com/pages/contact-us>

Provided that the product is utilized within the U.S.A.- Escort will, without charge, repair or replace, at its option, defective products, products or component parts upon delivery to the Escort Factory Service department, accompanied by proof of the date of first consumer purchase, such as a duplicated copy of a sales receipt. You must pay any initial shipping charges required to ship the product for warranty service, but the return charges, to an address in the U.S.A., will be at Escort's expense, if the product is repaired or replaced under warranty.

This warranty gives you specific legal rights, and you may also have other rights which may vary from state to state and country to country.

Exclusions: This limited warranty does not apply: 1) To any product damaged by accident; 2) In the event of misuse, ordinary wear, failure to follow directions, or improper maintenance of the product or as a result of unauthorized alterations or repairs; 3) If the serial number has been altered, defaced, or removed; 4) If the product was purchased or is utilized in a jurisdiction not covered by the limited warranty.

All implied warranties, including warranties of merchantability and fitness for a particular purpose are limited in duration to the length of this warranty. Escort shall not be liable for any incidental, consequential or other damages; including, without limitation, damages resulting from loss of use or cost of installation.

Some states and countries do not allow limitations on how long an implied warranty lasts and/or do not allow the exclusion or limitation of incidental or consequential damages, so the above limitations may not apply to you. This warranty gives you specific legal rights, and you may also have other rights which vary from state to state and country to country