

# B30TURBOEXIRZ

Turbo HD EXIR Bullet Camera



## ▶ Camera

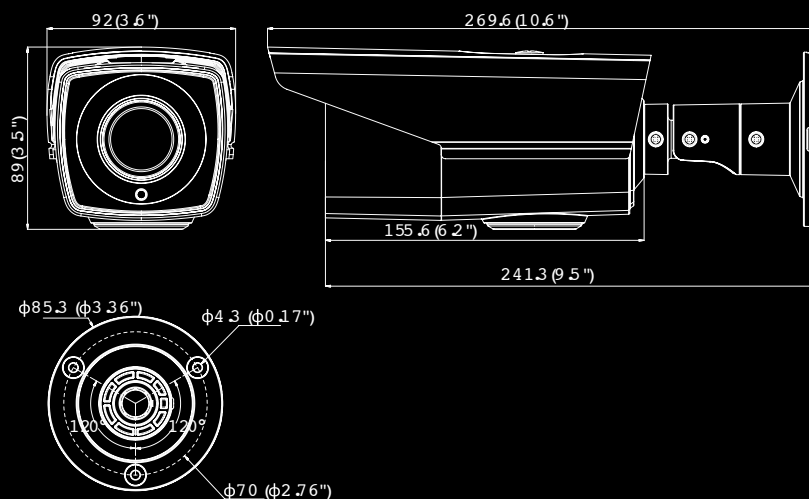
Image Sensor	3MP CMOS Image Sensor
Effective Pixels	2052(H)*1536(V)
Min. illumination	0.01 Lux @ (F1.2,AGC ON),0 Lux with IR
Shutter Time	1/25(1/30)s to 1/50,000s
Lens	Motorized VF lens; 2.8 - 12 mm @ F1.2
Lens Mount	Ø14
Day & Night	ICR
Angle Adjustment	Pan: 0°- 360°; Tilt: 0°- 90°; Rotate: 0°- 360°
Synchronization	Internal Synchronization
WDR	120dB
Video Frame Rate	1920x1536@18fps
HD Video Output	1 Analog HD output
S/N Ratio	>62dB

## ▶ General

Operating Conditions	-40 °C – 60 °C (-40 °F – 140 °F), Humidity 90% or less (non-condensing)
Power Supply	12 VDC±15%; -A: 12 VDC/24 VAC±15%
Power Consumption	Max. 6W; -A: Max. 9W
Protection Level	IP66
IR Range	Up to 40 m
Communication	Up the coax, Protocol: HIKVISION-C (TVI output)
Dimensions	92mmx84.8mmx269.6mm (3.62"x3.34"x3.34")
Weight	Approx. 370g (0.82lb)

## ▶ Menú

AGC	Support
D/N Mode	Color/BW/SMART
White Balance	ATW/ MWB
BLC	Support
Functions	Wide Dynamic Range, Digital noise reduction, Mirror, SMART IR



Unit:mm