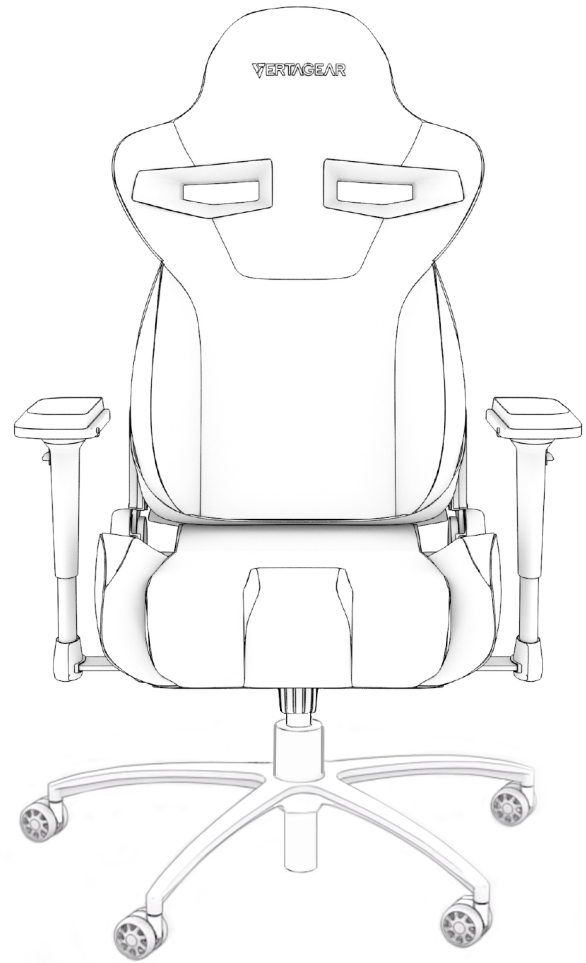


ASSEMBLY INSTRUCTIONS

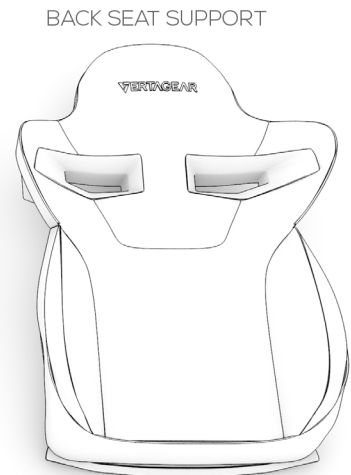
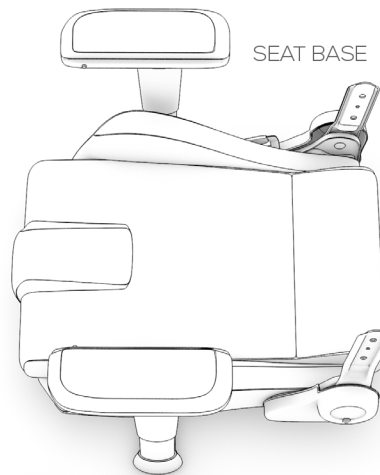
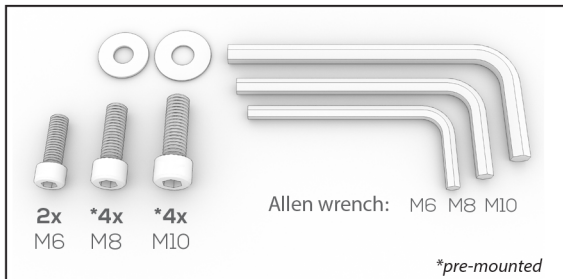
VERTAGEAR

RACING SERIES



Watch the assembly video on our website: WWW.VERTAGEAR.COM

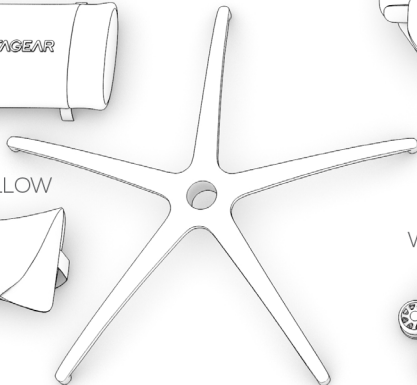
This user guide covers a number of different models. Your gaming chair may look different than the illustrations.



LUMBAR SUPPORT CUSHION



HEAD PILLOW

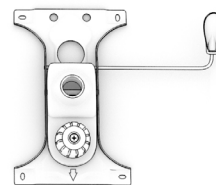


FIVE STAR FOOT BASE

WHEELS



METAL BASE FRAME



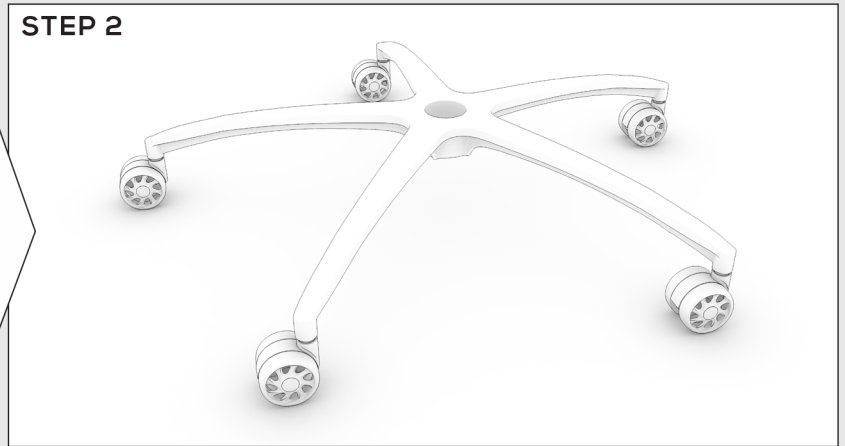
GAS LIFT



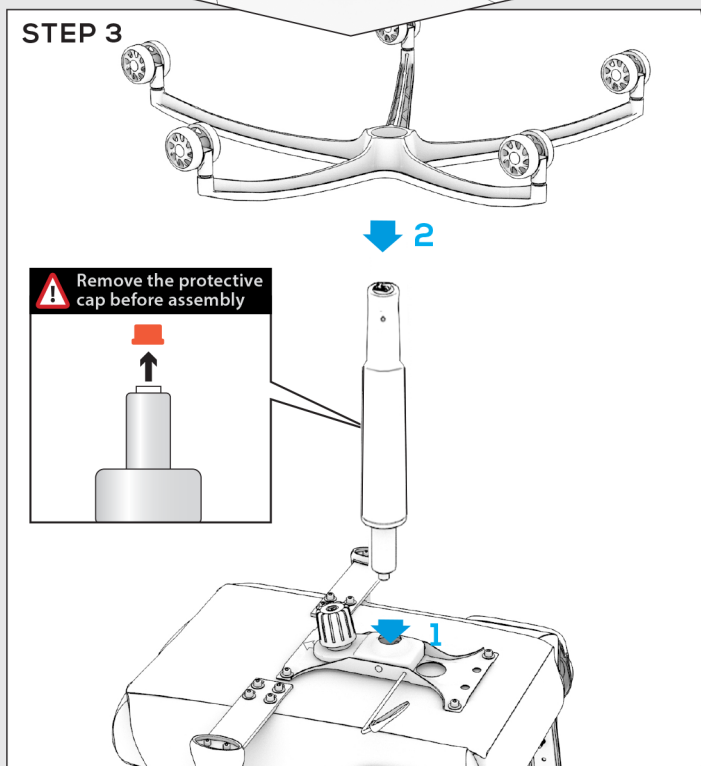
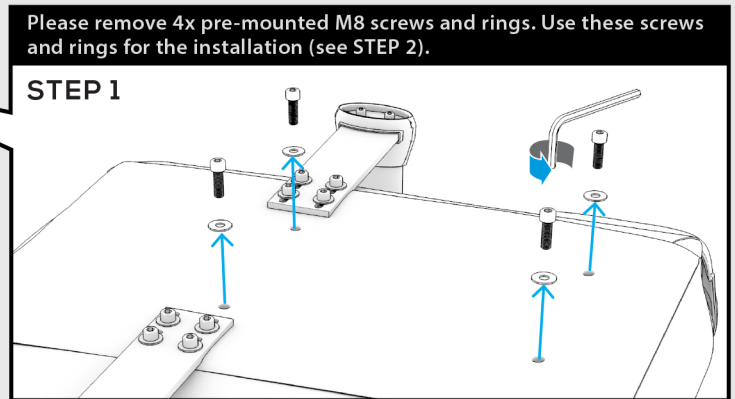
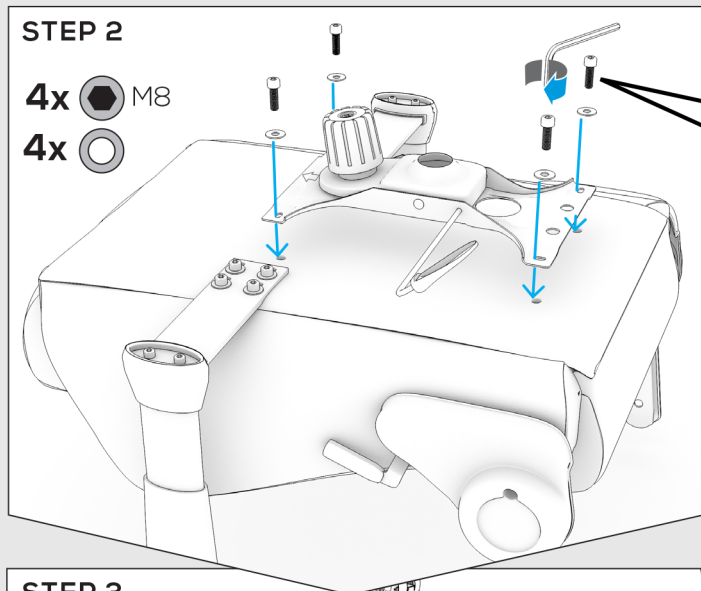
SIDE COVERS

PARTS

1



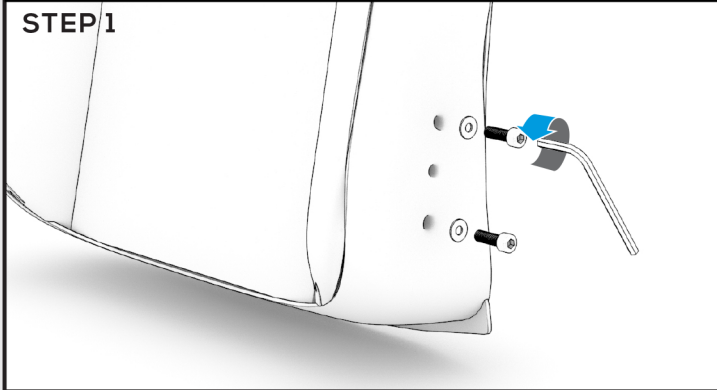
2



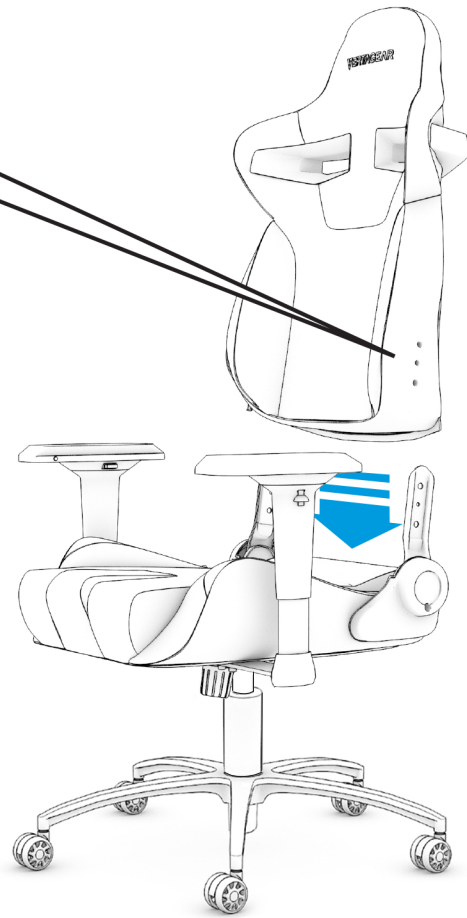
3

Please remove 4x pre-mounted M10 screws and rings (left and right).
Use these screws and rings for the installation (see STEP 3).

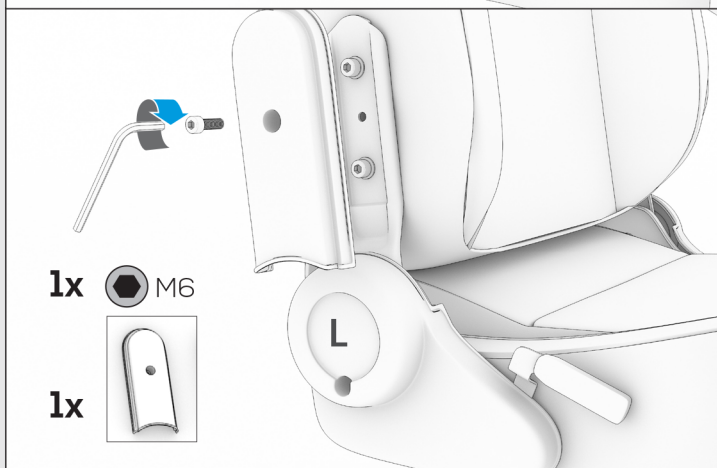
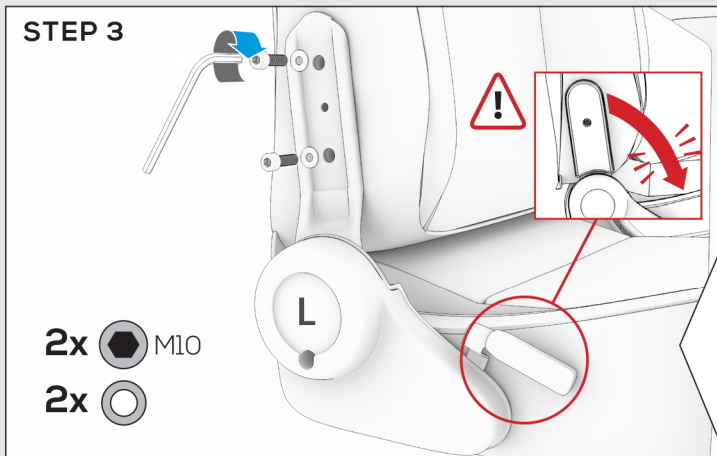
STEP 1



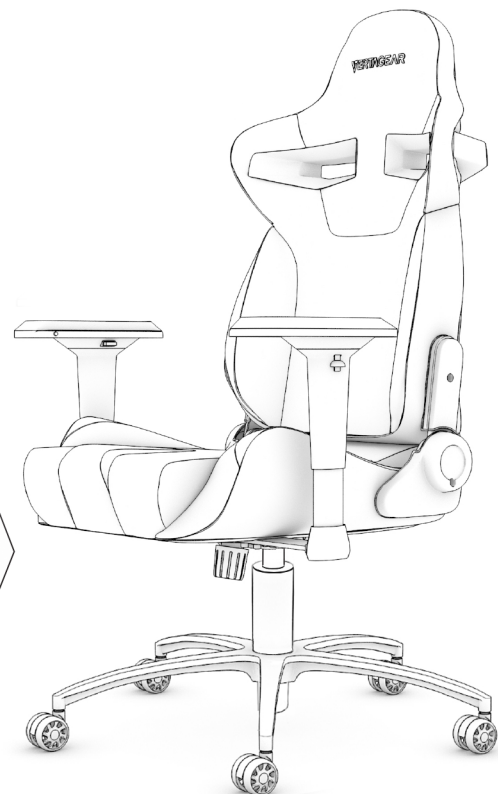
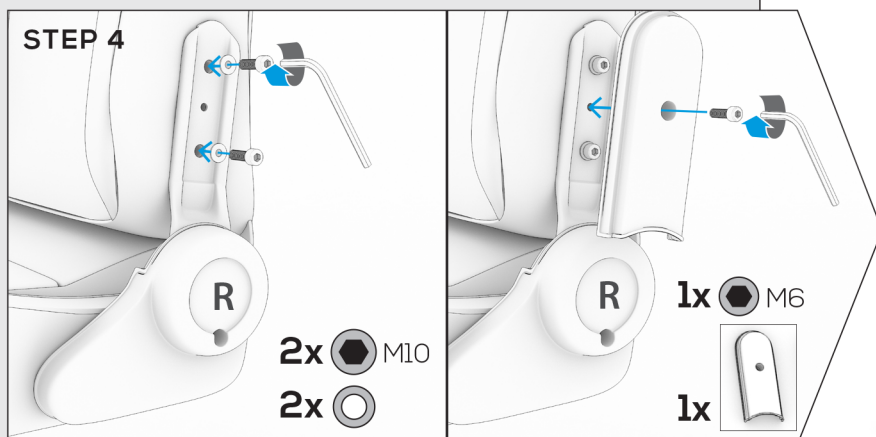
STEP 2



STEP 3

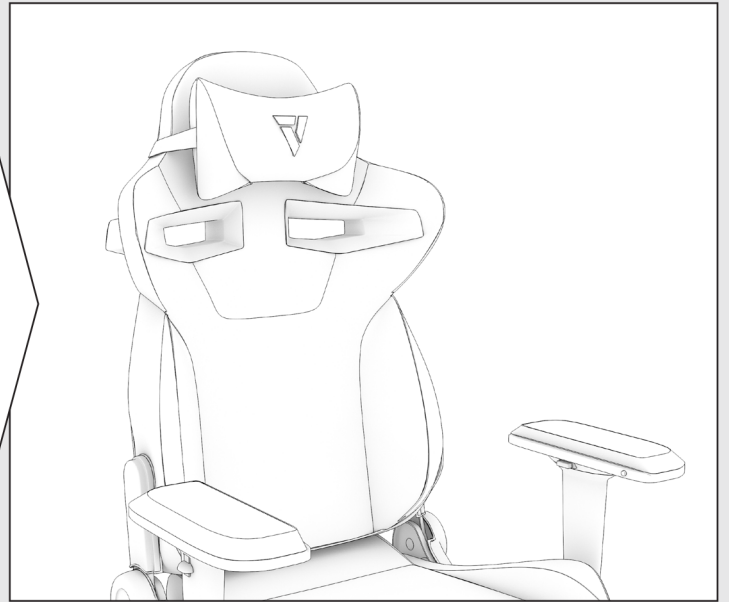
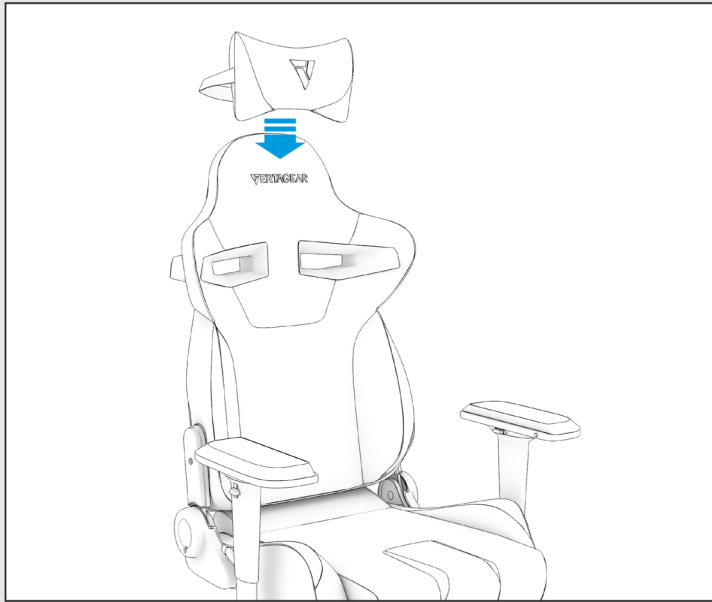


STEP 4



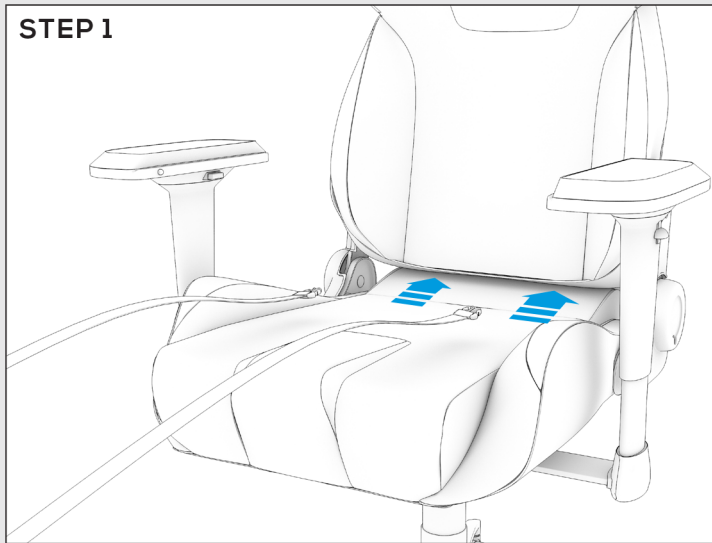
4

HEAD PILLOW INSTALLATION - OPTIONAL

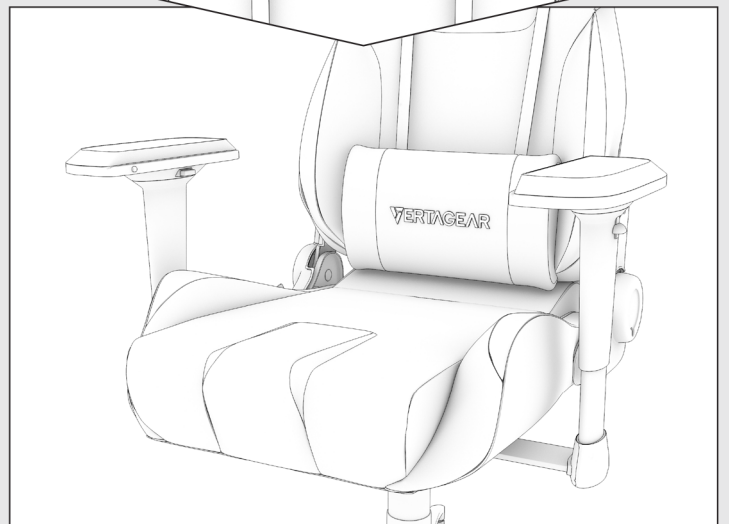
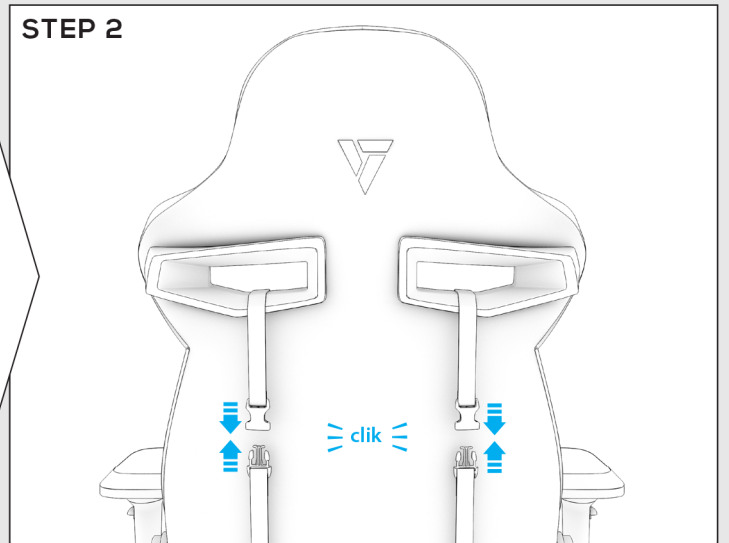


LUMBAR SUPPORT CUSHION INSTALLATION - OPTIONAL

STEP 1



STEP 2



**REGISTER YOUR
PRODUCT TODAY**

Thank you for choosing Vertagear Racing Series! You can register your product online and improve your experience with Vertagear. Enjoy more efficient support, warranty guarantee and more.

WWW.VERTAGEAR.COM