

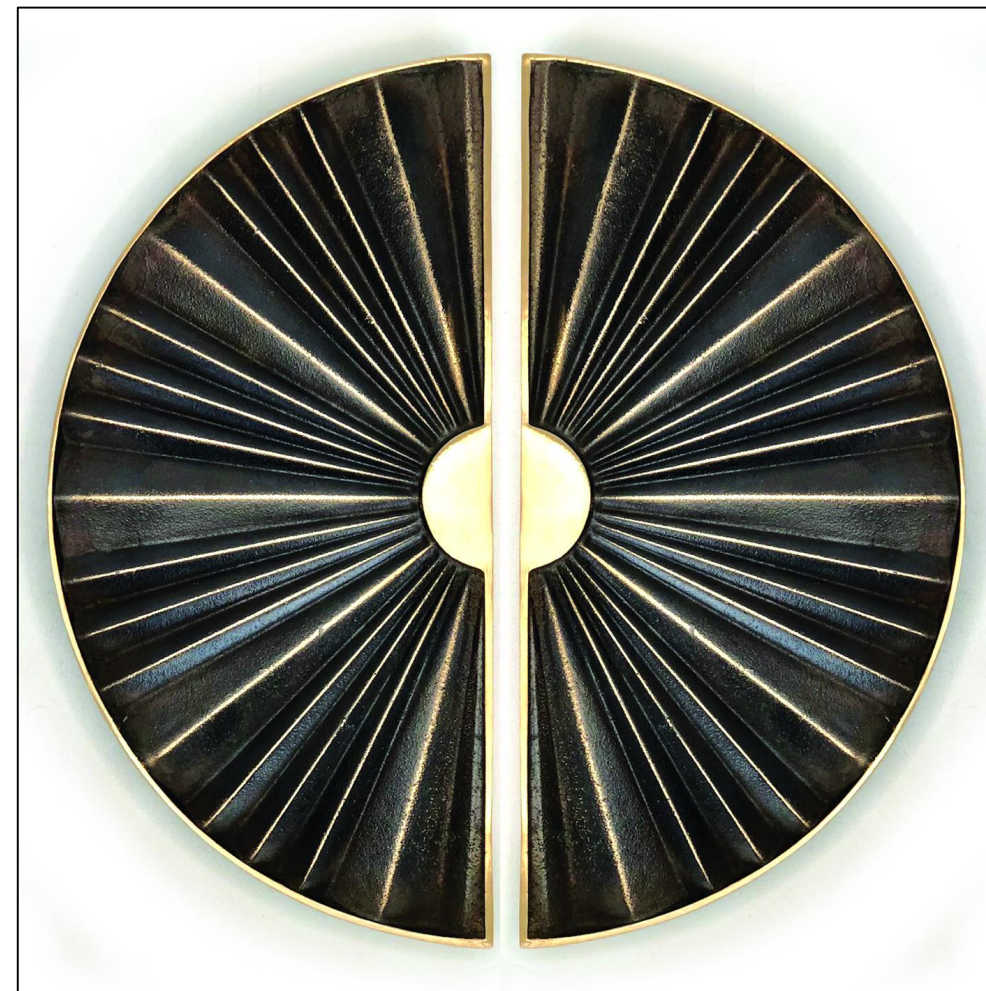
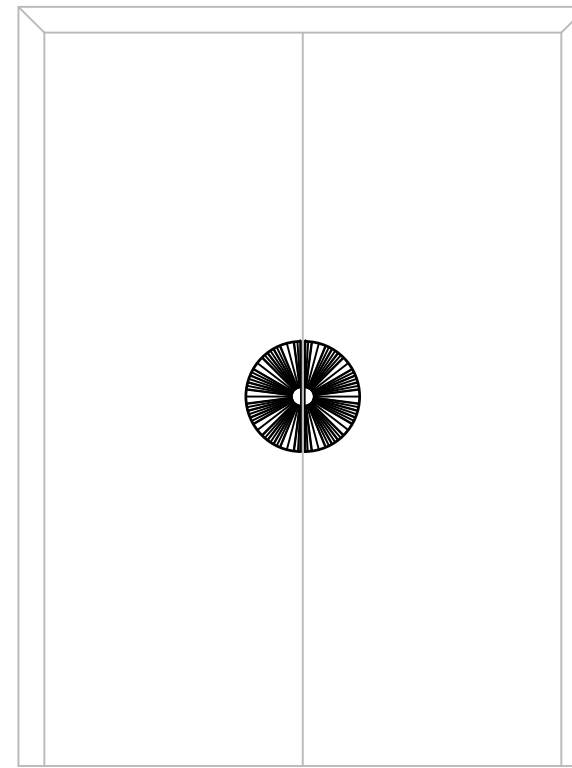
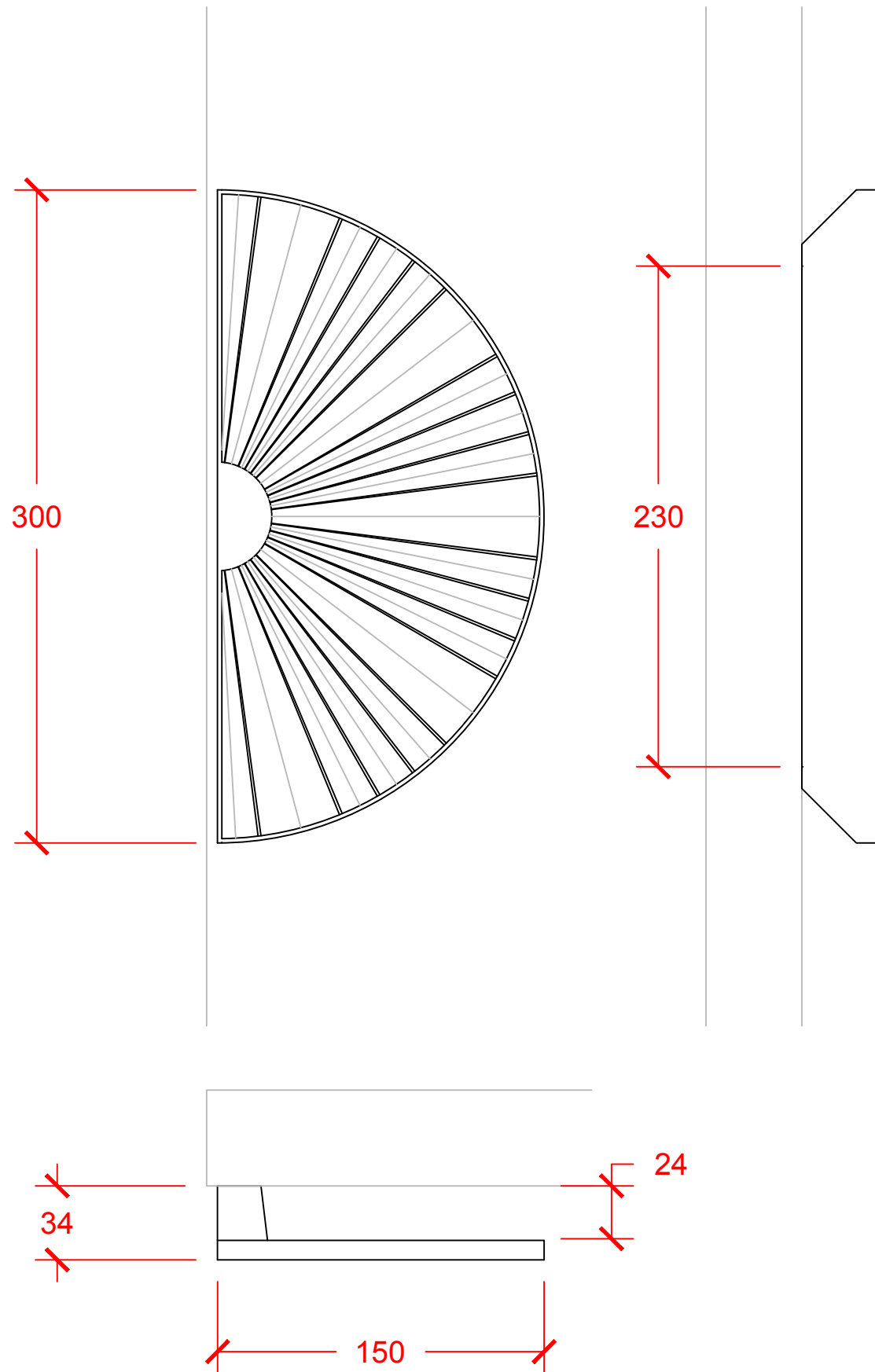
# Sunburst

**GENERAL NOTES:**

THE CONTRACTOR SHALL CHECK AND VERIFY ALL DIMENSIONS ON SITE AND REPORT ANY DISCREPANCIES IN WRITING TO PHILIP WATTS DESIGN BEFORE COMMENCING WITH THE WORK.  
 ALL DRAWINGS ARE THE PROPERTY OF PHILIP WATTS DESIGN AND SHALL NOT BE REPRODUCED WITHOUT THE CONSENT OF THE DESIGNERS.  
 DRAWINGS SHALL NOT BE SCALED.  
 THIS DRAWING IS TO BE READ IN CONJUNCTION WITH THE RELEVANT SPECIFICATION OF BUILDING WORKS.  
 ALL DIMENSIONS ARE IN mm UNLESS OTHERWISE NOTED.  
 THIS DRAWING MAY INCORPORATE INFORMATION FROM OTHER PROFESSIONS. PHILIP WATTS DESIGN CANNOT ACCEPT RESPONSIBILITY FOR THE INTEGRITY AND ACCURACY OF SUCH INFORMATION.

**IF IN DOUBT ASK !**

original drawn by (name)	date	app by
Mike Gilbert	29.08.18	



**APPROVED BY:**  
 Name: \_\_\_\_\_ Date: \_\_\_\_\_


**philip watts design**

drawing title:  
Sunburst

contract name  
PWD

job number  
PWD-037-319

drawing no & revision

01

scale  
DNS  
drawn by  
MG

date  
29.08.18

checked  
PW