



# CROFT



**Product Code:** 195 / 195A

**Product Name:** Icon Cabinet Handle

**Description:** Meticulously crafted and bold in appearance, part of the Icon Collection.

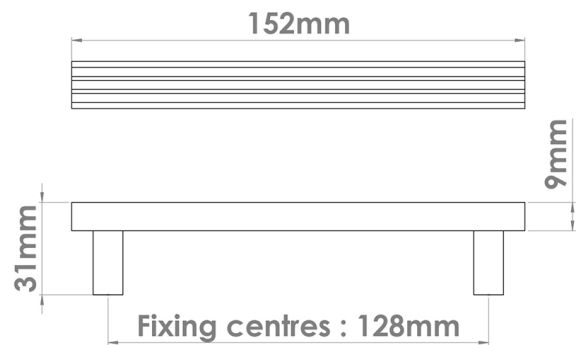
Shown here in our Matte Black Bronze finish.

## Product Information

Our 195 is available 128, 160, 192, 224, or 256mm c/c and supplied with M4 fixing bolts.

Or move up a bar size to our 195A. Available in 192, 224, or 256mm c/c and supplied with M6 fixing bolts.

See product code 189 for our Icon Appliance Pulls



Sizes	L	W	P	Bolt Centres
195-128	152	16	30	128mm
195-160	220	16	30	160mm
195-192	252	16	30	192mm
195-224	284	16	30	224mm
195-256	316	16	30	256mm
195A-192	254	19	40	192mm
195A-224	305	19	40	224mm
195A-256	356	19	40	256mm

Available in all Croft finishes excluding RBMA, TB,