



CROFT



Product Code: 1772

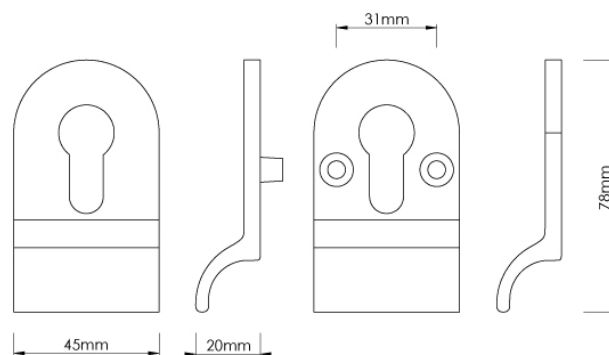
Product Name: Cylinder Pull - Euro Profile, Back to Back Fixing

Description: Our back-to-back Euro Profile cylinder pull set.

Shown here in our Antique Nickel finish.

Product Information

Supplied with M5 x 60mm machine screws



Available in all Croft finishes excluding RBMA, TB,