

TASK



COLLIER WEBB

COLLIERWEBB.COM

TASK

Our Task Wall Light is a stand-out piece with all the practical charm and clean lines of its Machine Age influence. With adjustable projection, swivelling arm and tilting shade, this versatile wall light is ideal for mounting above desks or tables or armchairs.

The Task Light is handmade from formed brass tubing and machined castings. It can be specified with a switched pull cord and plug, or hard-wired.

Shown here in Antique Bronze it is also available in any of our standard finishes.

DIMENSIONS

Height: 9"/230mm

Width: 2 1/2"/60mm

Projection retracted: 27"/685mm

Projection extended: 34 1/2"/875mm

BULB TYPE

UK E27 Bulb holder with flex to match lamp

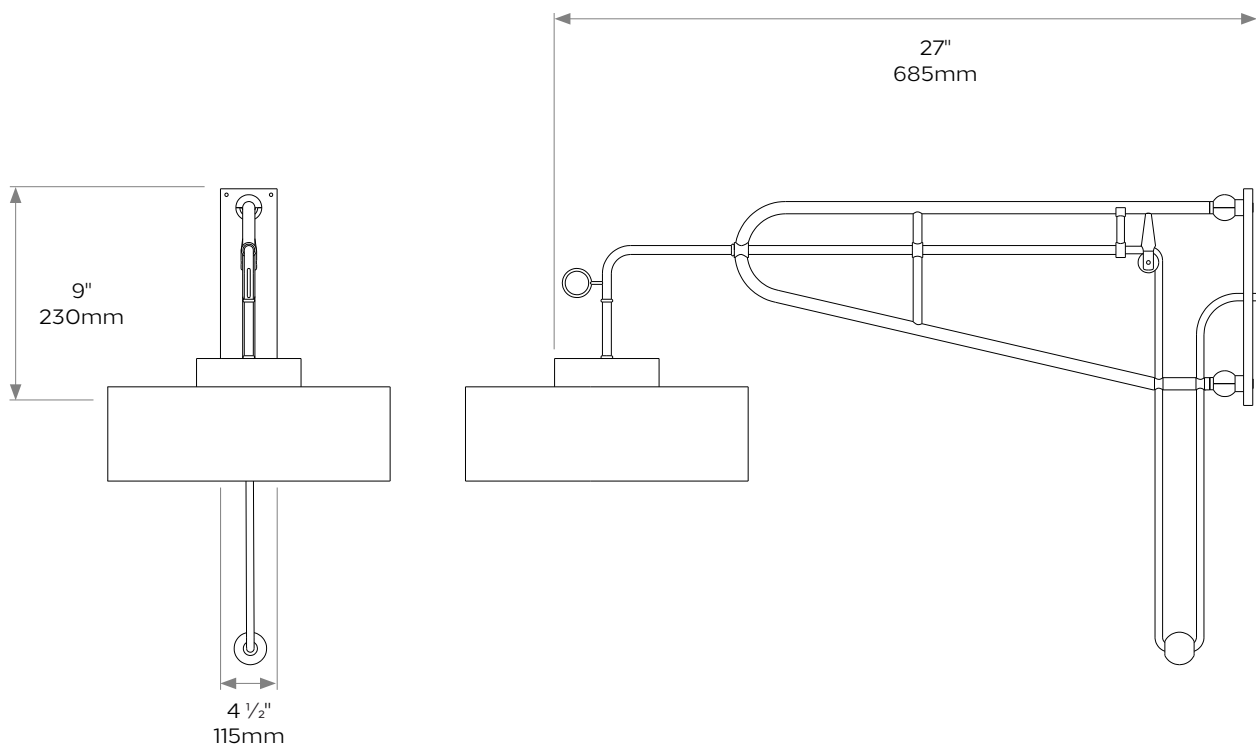
EU E27 Bulb holder with flex to match lamp

US E26 plain Bulb holder with flex to match lamp

Weight 2.5kg/4.8lbs

Care instructions: Simply dust regularly with a clean soft cloth. Care should be taken not to use abrasives of any kind.

Product code WL028DS



Due to the hand-crafted nature of some products, stated dimensions may have a tolerance of $\pm 1/4"/6\text{mm}$.
If tighter tolerances are required for a specific installation, please state on your enquiry

COLLIER WEBB

COLLIERWEBB.COM