

BUSTER+PUNCH

LONDON

[product.]

DOOR KNOB / LINEAR

[motion. **TWIST.**]

[action. **UNSPRUNG.**]

[knurl. **LINEAR.**]

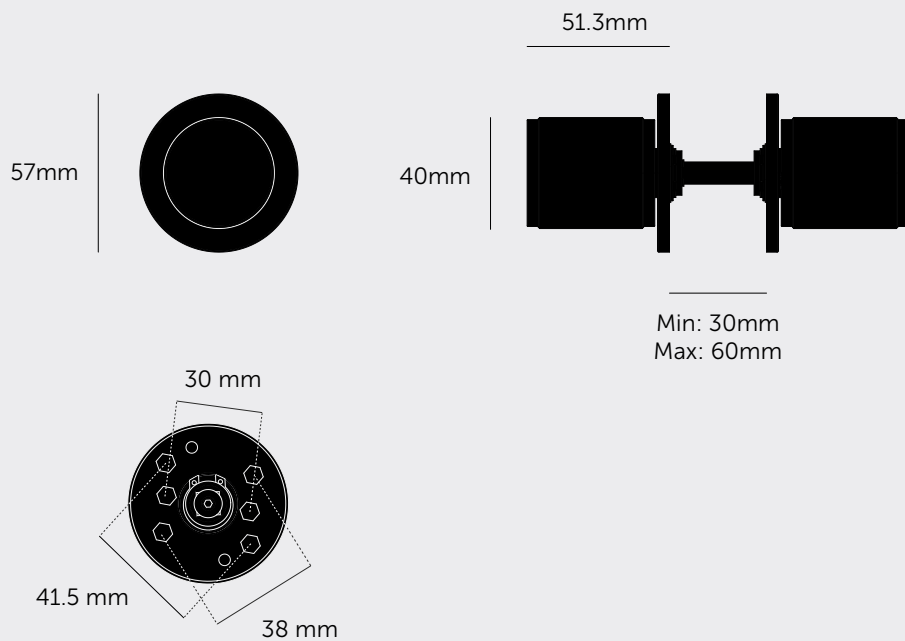
[range. **DOOR HARDWARE.**]

A pair of DOOR KNOBS made from solid metal and featuring our elegant LINEAR KNURLED detailing. Works great on all internal doors and can be combined with our matching door accessories. Available in four metal finishes: STEEL, BRASS, GUN METAL and WELDERS BLACK.



[type. **DOOR KNOB SET.**]

[info. **MEASUREMENTS.**]



[info. **SPECIFICATIONS.**]

A pair of unsprung solid metal door knobs, with an architectural 4 mm thick rose.

The rose is designed for use with UK (centre distance 38 mm), SWE (centre distance 30 mm), or US/ANZ (centre distance 41.5 mm or 1-5/8") specific latches.


Compatible with either tubular latches or mortise locks. Suitable for interior doors only.

Fits doors of thickness: minimum 30 mm to maximum 60 mm (with supplied fixings*).

*For thicker doors, longer through bolts and a longer spindle will need to be sourced.

[info. **FINISH & SKU NUMBERS.**]

[finish.]

-  Steel
-  Brass
-  Gun Metal
-  Welders Black

[sku.]

RDK-071054
RDK-051053
RDK-091055
RDK-481052

[info. **CARE INSTRUCTIONS.**]

Wipe with damp cloth with no loose hairs, avoid using any chemicals. All finishes are prone to aging.

[info. **INCLUDED.**]

1 x pair of Door Knobs (2PCS)

2 x M4 x 35 mm Through Bolts

1 x 8 mm x 8 mm Square Spindle

[info. **RECOMMENDED.**]

Purchase a tubular latch from the Buster + Punch website:

Lightly Sprung Tubular Latch, GLL-071167 (Steel)

82 mm Backset GLL-051166 (Brass)

GLL-021169 (Black)

[please. **NOTE.**]

This product is best used with a long backset (82 mm), lightly sprung, two-way rotating tubular latch or mortise lock.

DISCLAIMER: Always consult a trade professional when installing these door knobs. Buster + Punch is not responsible for the usage or feasibility of installation requirements. This product is not suitable for damp or wet environments.