

ENTERPRISE TWIN ARM



COLLIER WEBB

COLLIERWEBB.COM

ENTERPRISE TWIN ARM SMALL

Our Enterprise Twin Arm Wall Light has been meticulously recreated from a 1930's Art Deco original. A classic design that is truly elegant and timeless.

This frosted glass shades, mounted on cast brass arms, sit astride the machined back plate in perfect symmetry.

Available in any of our standard finishes. Available in a larger version and with a single arm.

DIMENSIONS

Height: 14"/355mm

Width: 11.25"/286mm

Projection: 7.5"/190mm

BULB TYPE

UK E14 Bulb holder

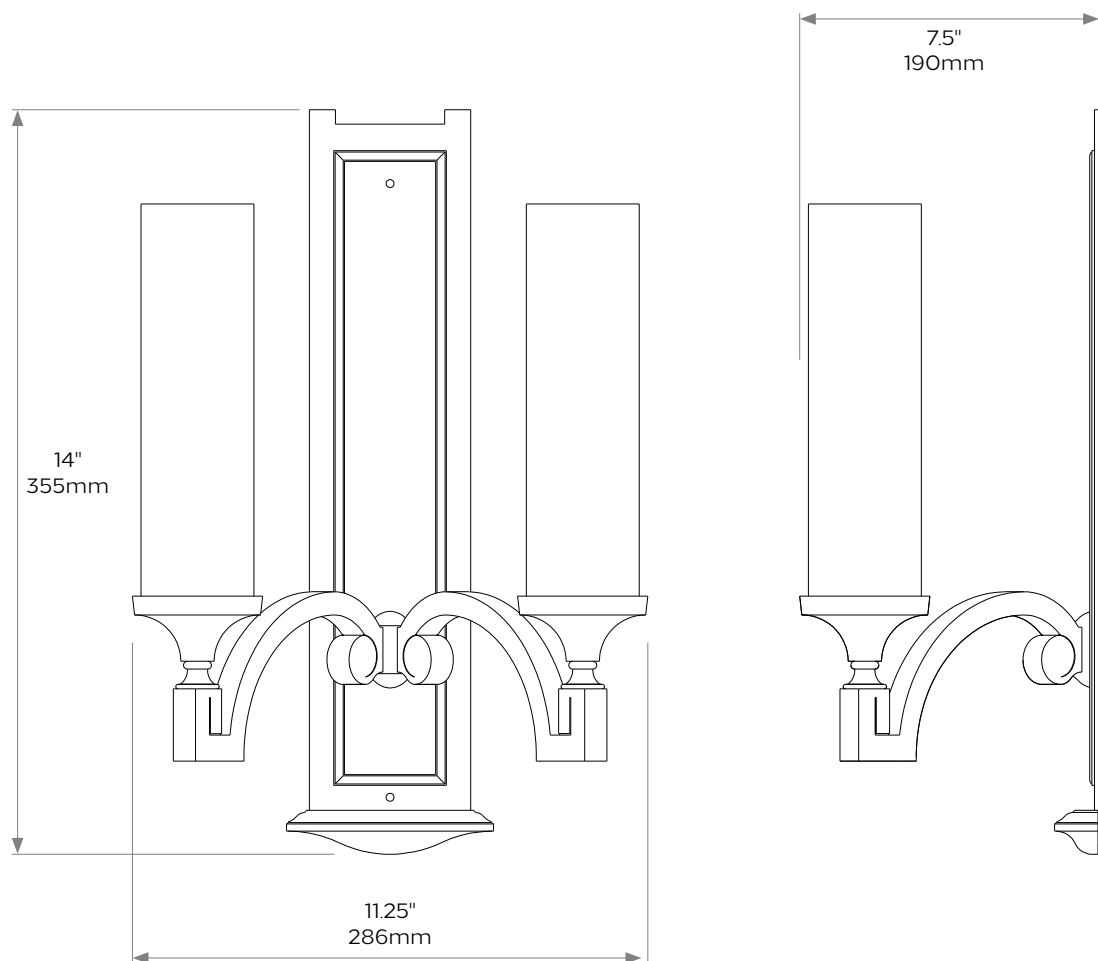
EU E14 Blub holder

US E12 bulb holder

Weight 3kg/6.6lbs

Care instructions: Simply dust regularly with a clean soft cloth. Care should be taken not to use abrasives of any kind.

Product code WL040ST



Due to the hand-crafted nature of some products, stated dimensions may have a tolerance of $\pm 1/4"/6\text{mm}$.
If tighter tolerances are required for a specific installation, please state on your enquiry

COLLIER WEBB

COLLIERWEBB.COM

ENTERPRISE TWIN ARM LARGE

Our Enterprise Twin Arm Wall Light has been meticulously recreated from a 1930's Art Deco original. A classic design that is truly elegant and timeless.

This frosted glass shades, mounted on cast brass arms, sit astride the machined back plate in perfect symmetry.

Available in any of our standard finishes. Available in a larger version and with a single arm.

DIMENSIONS

Height: 20.1"/510mm

Width: 14.3"/362mm

Projection: 8.4"/214mm

BULB TYPE

UK E14 Bulb holder

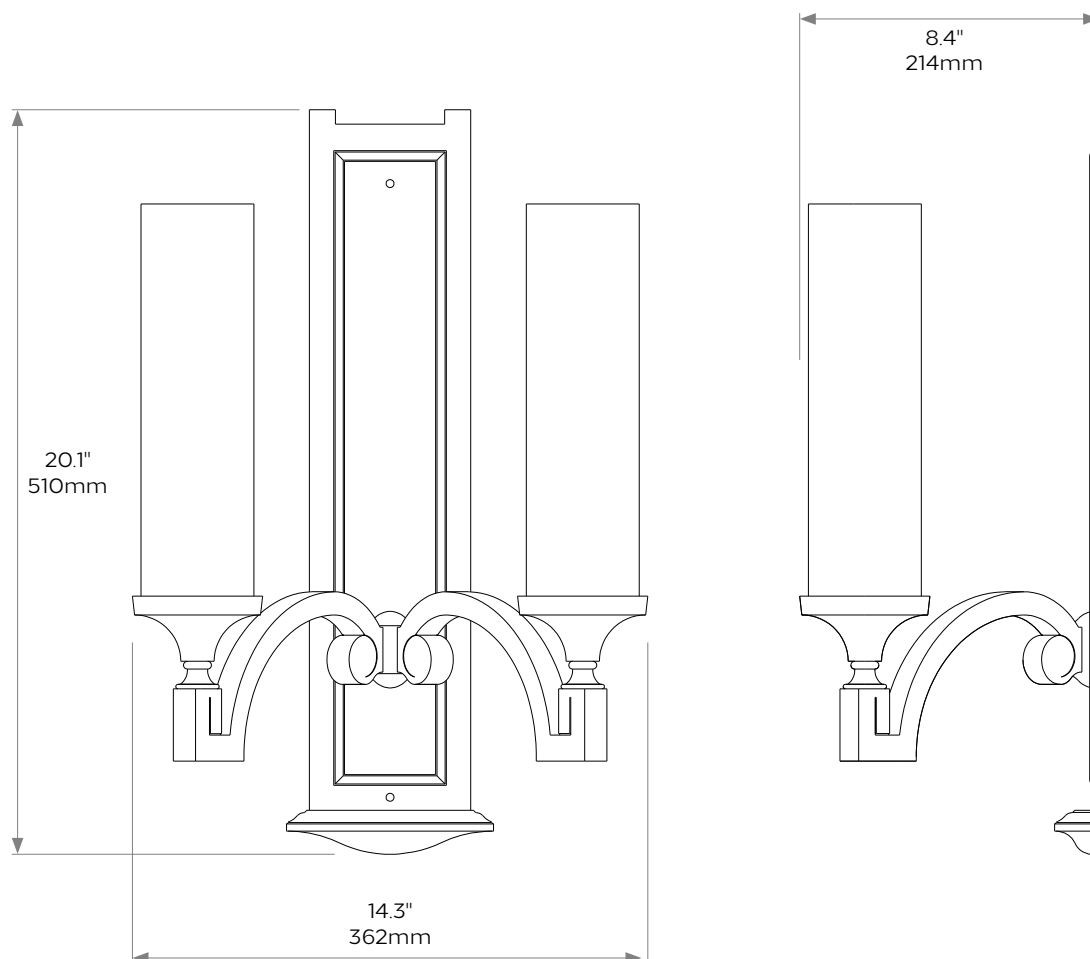
EU E14 Blub holder

US E12 bulb holder

Weight 5kg/11lbs

Care instructions: Simply dust regularly with a clean soft cloth. Care should be taken not to use abrasives of any kind.

Product code WLO20LT



Due to the hand-crafted nature of some products, stated dimensions may have a tolerance of $\pm 1/4"/6\text{mm}$.
If tighter tolerances are required for a specific installation, please state on your enquiry

COLLIER WEBB

COLLIERWEBB.COM