

CLOVEN



COLLIER WEBB

www.collierwebb.com

CLOVEN

Our Cloven Floor Light design has a long history. The goat's foot motif of the shepherd god Pan has been used to adorn floor and table lamps since Greek and Roman times.

Taken from an 18th Century classic revival piece, our highly detailed feet, leaf, sconce and the reeded and tapered column design are meticulously crafted in brass using the lost wax casting method.

Standing at 1.2m (excluding shade) this floor light is pictured in Antique Bronze and is also available in any of our standard finishes.

DIMENSIONS

Height: 47 ½"/1200mm

Width: 11 ½"/290mm

BULB TYPE

UK E27 5m flex - foot switch 500mm from base - black or white plug - black or white switch

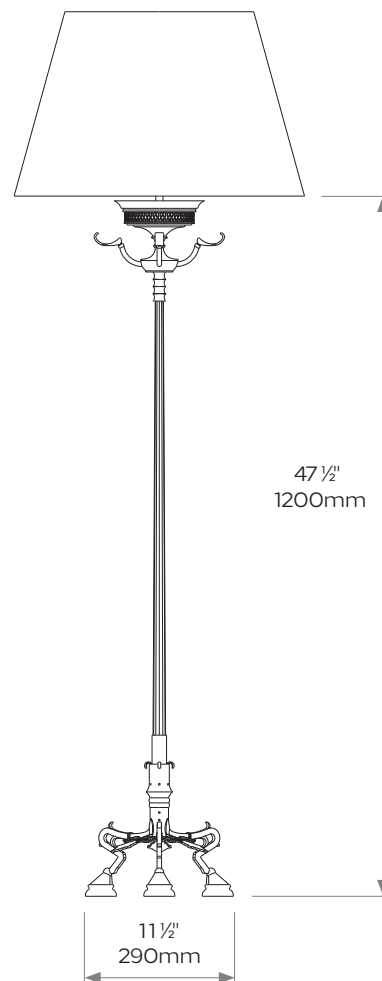
EU E27 5m flex - foot switch 500mm from base - black or white euro plug - black or white switch

US E26 Turn key or plain - 3m flex - foot switch 500mm from base - black or white 2 pin plug - black or white switch

Weight 9kg/20lbs

Care instructions: Simply dust regularly with a clean soft cloth. Care should be taken not to use abrasives of any kind.

Product code FLO03



Due to the hand-crafted nature of some products, stated dimensions may have a tolerance of $\pm 1/4"/6\text{mm}$.
If tighter tolerances are required for a specific installation, please state on your enquiry

COLLIER WEBB

www.collierwebb.com