

## TECHNICAL SPECIFICATION

1G, 2G PREMIUM LED TWIST DIMMER  
RATED AT 230V - 240V~ AC ONLY  
50HZ PER GANG  
APPROVAL NO. SAA172513

## IMPORTANT NOTES

### PLEASE READ BEFORE INSTALLING

1. All wiring and installation must adhere to the latest local and national wiring rules - e.g.AS/NZS 3000 in Australia & New Zealand.
2. Must be installed by a licensed electrician.
3. Do not exceed the rated power input specification.
4. This product is suitable for indoor use only.

### THERMAL OVERLOAD PROTECTION

Built-in thermal protect circuit. When the module temperature achieves 110°C will activate the protection. When the temperature cools down to approx. 75°C the dimmer resume normal operation. If this occurs frequently, reduce the load.

### SHORT CIRCUIT PROTECTION

Built-in short circuit protect, once activated, the dimmer will suspend operation. Around 5 seconds after that, it will auto-ON again. If defect remains within the circuit, the short circuit protection will activate again until dimmer power is disconnected and switched ON again, resetting to normal operation. In this case, check the circuit with your certified electrician.

### FEATURES:

- Suitable for 1-way switching.
- Minimum load down of 5W of LED capacitive or 10W resistive load, such as Dimmable LED Lighting, Incandescent Lighting, MV Halogen / LV Halogen Lighting with electronic transformers.
- Lamps soft-start operation, to extend longer lifetime for the lamp.
- User setting for the minimum dim level.



**WARNING:** The two mounting screws on the faceplate must be well tightened to maintain the earthing continuity. Check their earthing continuity by multimeter before screw on the decorative cap. The resistance between the two mounting screws must not exceed 0.1 Ω.

## WARRANTY INFORMATION

The Warranty Period of Two (2) years from the date of the original purchase.

## RECYCLING ELECTRICAL PRODUCTS

Buster and Punch encourages all its customers to make note of this symbol and avoid putting any waste electrical goods in your domestic waste bin or container. Please ensure you take your waste electrical goods to a suitable facility for disposal.



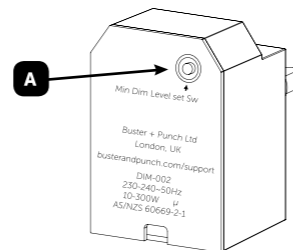
## MINIMUM BRIGHTNESS LEVEL SETTING

### HOW TO SET MINIMUM BRIGHTNESS LEVEL:

1. Remove front plate cover.
2. Turn ON the lamp to max. brightness level.
3. Push button (A) once. The lamp will appear at half-brightness level indicating it is ready to set the minimum brightness level.
4. Turn the knob to set desired minimum brightness level, then push button (A) once. The lamp will appear at minimum brightness level then return to normal brightness level once it has confirmed and saved your desired setting.

### NOTE:

Setting must be performed within 10 seconds, if not, it will time out and auto exit the program without saving.



## MODE SETTING

### THIS DIMMER MODULE HAS TWO BUILT IN MODES:

1. Trailing Edge auto Mode (Factory default), suitable for most LED lamps. (SEE COMPATIBLE LOADS)
2. Leading Edge Mode (LE), suitable for LE lamp only. (SEE COMPATIBLE LOADS)

### FOR TE AUTO MODE (FACTORY DEFAULT):

1. Remove front plate cover.
2. Turn ON the lamp to min. brightness level.
3. Push and hold button (A) for 5 seconds until lamp appears at half-brightness level. Once button is released, the lamp will flash once to confirm and save your desired setting.

### FOR LE MODE:

#### \*SEE COMPATIBLE LOADS

1. Remove front plate cover.
2. Turn ON the lamp to max. brightness level.
3. Push and hold button for 5 seconds until lamp appears at half-brightness level. Once button is released, the lamp will flash three times to confirm and save your desired setting.

## COMPATIBLE LOADS FOR TE AUTO MODE

LED DIMMABLE	Integral Dimmable LED globes	10-300W
	Dimmable LED lighting with compatible Electronic Transformers	10-300W
	Incandescent lighting, MV Halogen globes	10-300W
	LV Halogen Lighting with Electronic Transformers	10-300W

### NOTE:

Multiple compatible loads may be used provided the total lamp wattage does not exceed the maximum load rating of the dimmer.

\*Some lamps may exhibit unexpected performance characteristics when cold. Dimming performance should improve after the lamp warms up, or in case of lamp appearing in an unstable status, it can be changed to LE mode.

# INSTALLATION

## 1



**BEFORE COMMENCING WORK, ISOLATE THE MAINS POWER SUPPLY AND REMOVE THE FUSE IN THE FUSE BOX OR SWITCH OFF THE CIRCUIT BREAKER IN THE CONSUMER UNIT.**



## 2

If unit is to be used as a replacement for an existing product, remove existing unit from its location and disconnect the wiring.



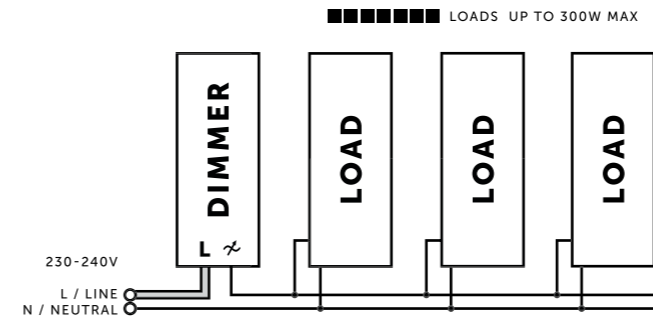
**CAUTION:** Verify power is OFF to switch before proceeding.

## 3

Connect the wires as shown in wiring diagram. Ensure terminals are properly tightened and no bare wire is visible. Push back unit into moulding box making sure conductors are not trapped.

**NOTE:**

The plate must be earthed at the earth point

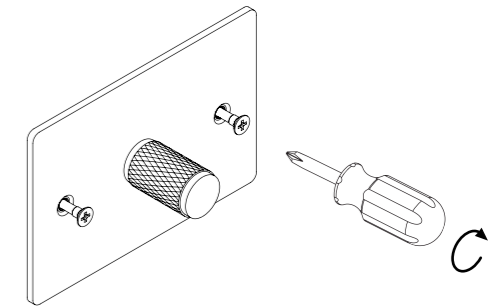


## 4

Use a cross head electric or manual screwdriver to fit the special countersunk screws until tight.\*



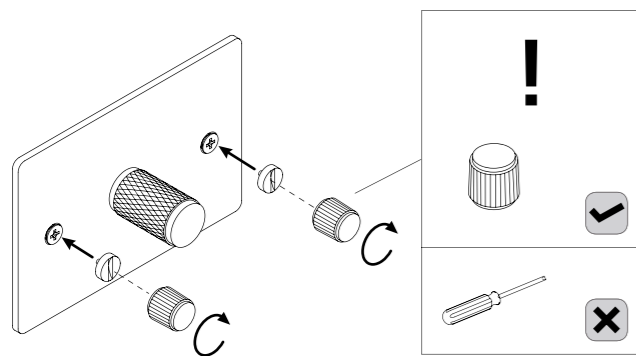
**CAUTION:** To reduce the risk of discolouration or tarnishing, avoid installation on wet plaster.



\* Please ensure screws are sufficiently tight to support the product but please do not over tighten as this may cause some deformation to the plate or damage the screw.

## 5

By hand, screw the coin caps into the end of the screws. Use the plastic coin cap tool to fully tighten the coin caps.\*\*

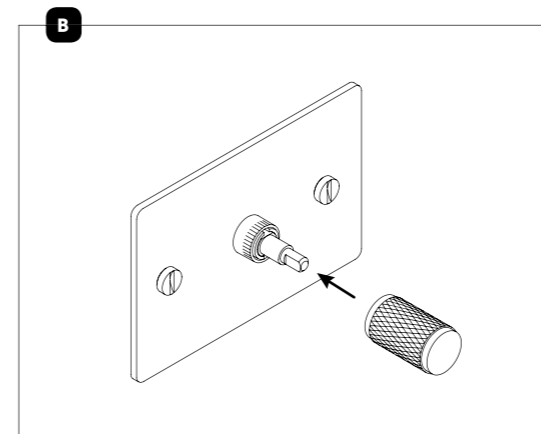
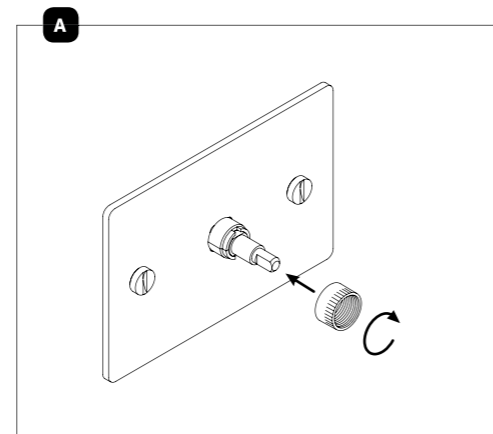


## 6

If you wish to change the details with a bling kit. First remove existing details. Next, follow step 5 to change the coin caps. Change the dimmer knob and nut via the following steps.

A) Screw cosmetic nut in place.

B) Align flat to corresponding flat on the inside of the dimmer knob. Push the dimmer knob in by hand.



## 7

Turn power back on.



\*\* Do NOT use a standard screw driver to tighten the coin caps. This may damage the cap and is not covered under warranty. Plastic coin cap tool must be used by hand only.