

ALABASTER SHOT LIGHT
NO.1 SMALL



COLLIER WEBB

www.collierwebb.com

ALABASTER SHOT LIGHT NO.1 SMALL

A new addition to our best-selling Shot Light range, this Alabaster Wall Light features a beautifully smooth alabaster shade, contrasting perfectly with hand-crafted caps.

The beautiful lost-wax cast caps complement the shade perfectly.

The natural properties of alabaster give each piece a subtly unique look whilst the translucency of the mineral creates a subtle atmospheric light.

Shown here in Antique Brass and available in any of our other finishes and with a choice of end caps that can be selected from our Alabaster Shot Light No.1 range or standard Shot Light No.1 range.

This light is also available in Large and Medium sizes, see dimensions below and specification sheet for more details.

DIMENSIONS

Height: 10"/254mm

Width: 2.5"/60mm

Projection: 3.5"/86mm

BULB TYPE

UK 2500k LED Strip or 2700k

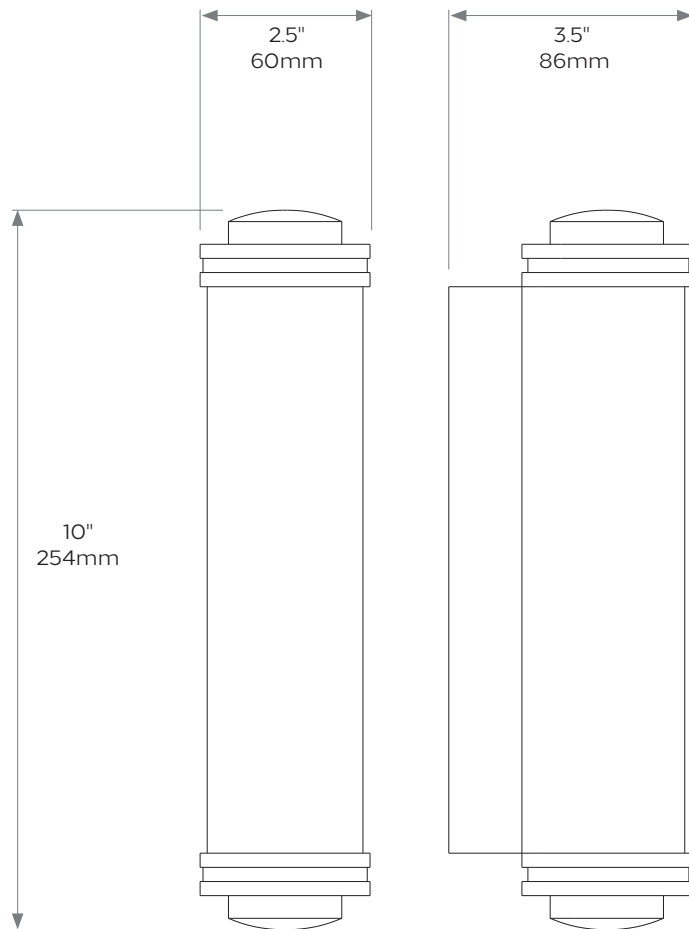
EU 2500k LED Strip or 2700k

US 2500k LED Strip or 2700k or incandescent bulbs

Weight 2.5kg/5.5lbs

Care instructions: Simply dust regularly with a clean soft cloth. Care should be taken not to use abrasives of any kind.

Product code WL057(S)



Due to the hand-crafted nature of some products, stated dimensions may have a tolerance of $\pm 1/4$ "/6mm. If tighter tolerances are required for a specific installation, please state on your enquiry

COLLIER WEBB

www.collierwebb.com

ALABASTER SHOT LIGHT
NO.1 MEDIUM



COLLIER WEBB

www.collierwebb.com

ALABASTER SHOT LIGHT NO.1 MEDIUM

A stunning new addition to our Shot Light range, this Alabaster Wall Light features a beautifully smooth alabaster shade, contrasting perfectly with the hand-crafted caps.

The caps feature a hand applied texture to the centre band which is then cast using the traditional lost-wax method.

The natural properties of alabaster give each piece a subtly unique look whilst the translucency of the mineral creates a subtle atmospheric light.

Shown here in Antique Brass and available in any of our other finishes and with a choice of end caps that can be selected from our Alabaster Shot Light No.1 range or standard Shot Light No.1 range.

This light is also available in Large and Small sizes, see dimensions below and specification sheet for more details

DIMENSIONS

Height: 15.75"/402mm

Width: 2.75"/67mm

Projection: 3.75"/95mm

BULB TYPE

UK 2500k LED Strip or 2700k

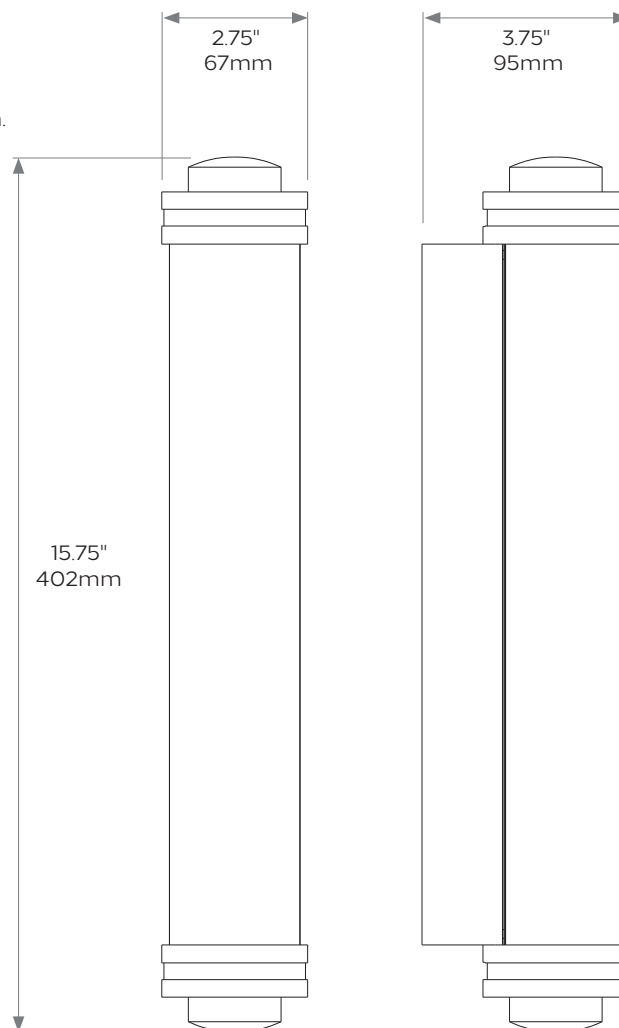
EU 2500k LED Strip or 2700k

US 2500k LED Strip or 2700k or incandescent bulbs

Weight 4kg/9lbs

Care instructions: Simply dust regularly with a clean soft cloth. Care should be taken not to use abrasives of any kind.

Product code WL057(M)



Due to the hand-crafted nature of some products, stated dimensions may have a tolerance of $\pm 1/4"/6\text{mm}$.
If tighter tolerances are required for a specific installation, please state on your enquiry

COLLIER WEBB

www.collierwebb.com

ALABASTER SHOT LIGHT
NO.1 LARGE



COLLIER WEBB

www.collierwebb.com

ALABASTER SHOT LIGHT NO.1 LARGE

This Alabaster Wall Light is a stunning new addition to our Shot Light range. Featuring a beautifully smooth alabaster shade which contrasts perfectly with the hand-crafted caps.

These textured caps are a celebration of Collier Webb craftsmanship, the pattern has been hand sculpted in clay and then cast using the traditional lost-wax method.

The natural properties of alabaster give each piece a subtly unique look whilst the translucency of the mineral creates a subtle atmospheric light.

Shown here in Antique Brass and available in any of our other finishes and with a choice of end caps that can be selected from our Alabaster Shot Light No.1 range or standard Shot Light No.1 range.

This light is also available in Small and Medium sizes, see dimensions below and specification sheet for more details

DIMENSIONS

Height: 25.25"/643mm

Width: 2.75"/67mm

Projection: 3.75"/95mm

BULB TYPE

UK 2500k LED Strip or 2700k

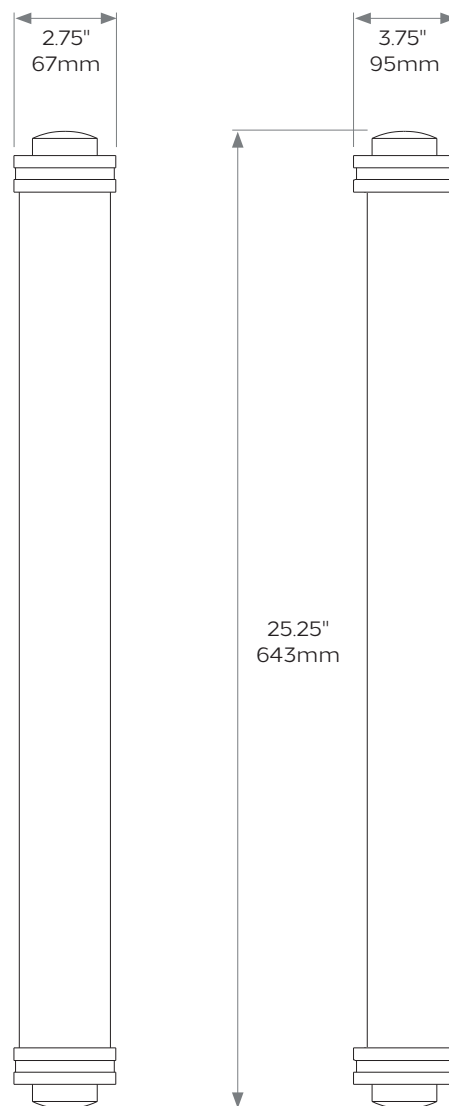
EU 2500k LED Strip or 2700k

US 2500k LED Strip or 2700k or incandescent bulbs

Weight 6kg/12lbs

Care instructions: Simply dust regularly with a clean soft cloth. Care should be taken not to use abrasives of any kind.

Product code WL057(L)



Due to the hand-crafted nature of some products, stated dimensions may have a tolerance of $\pm 1/4"/6\text{mm}$.
If tighter tolerances are required for a specific installation, please state on your enquiry

COLLIER WEBB

www.collierwebb.com