

PART NO.
30021-S

Viper S SERIES 'RAPID' 1000 ANCHOR WINCH BUNDLE

The All-New All-Stainless Steel Submersible Anchor Winch!

The Viper S Series Anchor Winch has set new standards in anchoring systems. The Viper commercial 1000W submersible electric motor and stainless steel marine gearbox, has made it one of the best selling anchor winches in Australia. With a fall rate of 50 meters per minute and a retrieval rate of over 45mtrs per minute the Viper will ensure you get onto your GPS mark. With unsurpassed Viper reliability, and more torque than a conventional drum winch, 3 support bearings on the 1 piece 28mm solid shaft and a 90 degree welded housing bracket which closes up the gap between your drum, preventing rope jams and the need for additional guards. With our bullet proof 5-year Viper performance warranty, you can't go past a Viper. Our winch bundles are supplied with everything you need to install it, including a 5mm stainless steel sandwich bracket, all required stainless steel bolts/screws and 2 face plates depending on dash room. All you have to add is your own cabling or our factory made Bell Marine tinned copper wiring loom.

You won't have to break your back pulling up your anchor and chain again! Now with emergency manual release included.

When Performance Matters!

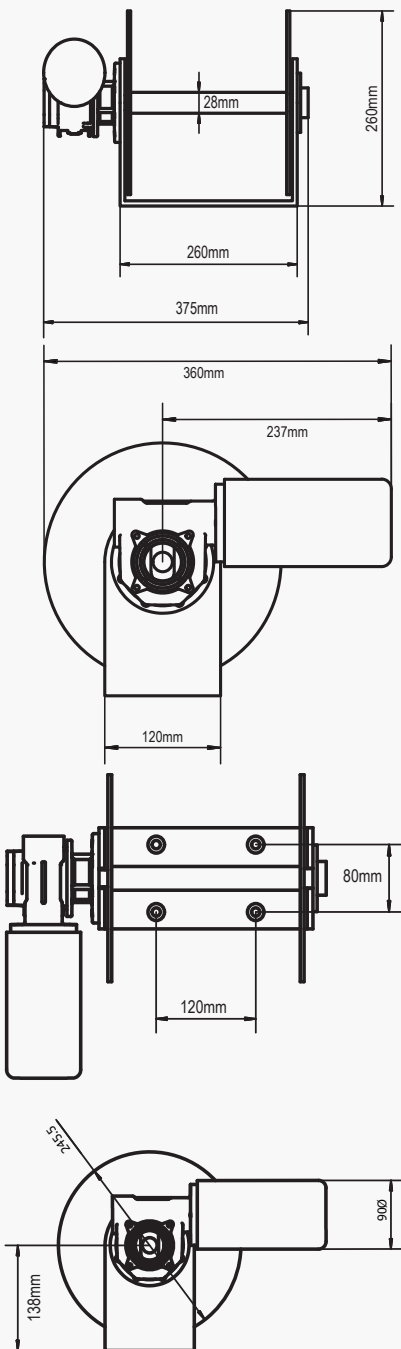


SUBMERSIBLE 316 STAINLESS STEEL
1000W ELECTRIC MOTOR



316 STAINLESS STEEL
WORM DRIVE GEAR BOX
Developed & Built by Bell Marine
for Marine applications

TECHNICAL SPECIFICATIONS



INCLUDED at No Extra Cost



PACKAGING:
WINCH BOX: 46 X 45 X 35 CM 23KG
ROPE KIT: 27 X 27 X 25 CM 9KG

WINCH BUNDLES:

30021-8S	VIPER S SERIES RAPID S/S MARINE GEARBOX BUNDLE 75MTRS 3 STRAND ROPE	RRP \$1595
30021-6S	VIPER S SERIES RAPID S/S MARINE GEARBOX BUNDLE 100MTRS 6MM B/D ROPE	RRP \$1595
30021-5S	VIPER S SERIES RAPID S/S MARINE GEARBOX BUNDLE 200MTRS 5MM HI SPEC ROPE	RRP \$1799

OPTIONS:

30021-A	ALLOY FITMENT KIT FOR ALUMINIUM BOAT INSTALLATIONS	RRP \$35
30036	BLACK 10MTRS OF CHAIN SOCK TO SUIT 6MM SHORT LINK ANCHOR CHAIN	RRP \$39
30036G	FLURO GREEN 10MTRS OF CHAIN SOCK TO SUIT 6MM SHORT LINK ANCHOR CHAIN	RRP \$39
30023	316 S/S CAST HAWSE PIPE FOR TRICKY INSTALLATIONS	RRP \$139
30006	SINGLE ROLLER VIPER BOW ROLLER SELF-LAUNCHING	RRP \$239
30016	DELUXE 3 ROLLER VIPER BOW ROLLER- SELF LAUNCHING	RRP \$329
30034	FACTORY MADE MARINE WIRING LOOM BOATS UPTO 6MTRS	RRP \$259
30035	FACTORY MADE MARINE WIRING LOOM BOATS UPTO 8MTRS	RRP \$299
30061	CUSTOM MADE WIRING LOOM MADE TO YOUR SPECIFICATIONS SUIT ANY LENGTH BOAT	RRP POA
30073	OPTIONAL WIRELESS REMOTE CONTROL FOR VIPER WINCHES - 30 METRE RANGE	RRP \$39

THE "S" SERIES 1000 BUNDLE INCLUSIONS

- VIPER S SERIES 1000 SUBMERSIBLE ELECTRIC DRUM ANCHOR WINCH **30021-S**
- VIPER S SERIES STAINLESS STEEL WORM DRIVE MARINE GEARBOX
- SUPPLIED WITH 1 MTR 3 B&S POWER LEADS & JOINING CONNECTORS
- PRESSURE TESTED & SEALED
- 75MTRS OF 8MM TRIPLE STRAND PREMIUM ROPE **30010**
- SPLICED TO 8 MTRS OF 6MM GALVANISED SHORT LINK ANCHOR CHAIN
- VIPER PRO SERIES ANCHOR SWIVEL SMALL **30001**
- VIPER DELUXE ANCHOR ROLLER SMALL **30009**
- 200AMP REVERSING SOLENOID **30020**
- LED ILLUMINATED MARINE ROCKER SWITCH **90021**
- VIPER LASER ETCHED LED ILLUMINATED SWITCH COVER **90046**
- 100 AMP FLUSH MOUNT CIRCUIT BREAKER WITH RUBBER SEAL **30046**
- SINGLE LED SWITCH STAINLESS STEEL FACE PLATE **30051**
- COMBO LED SWITCH & CIRCUIT BREAKER S/S FACE PLATE **30052**

5MM STAINLESS STEEL SANDWICH PLATE ALL FIXING HARDWARE + INSTALLATION NOTES & WIRING DIAGRAM

MAX FALL RATE: 50MTRS PER MINUTE
MAX RETRIEVAL RATE: 45MTRS PER MINUTE
SUIT VESSEL LENGTH: 5.7 MTRS +
WEIGHT: 17.4KGS