

Grease Feeders

GFD

Grease Feeders are used to provide single point controlled lubrication for all types of bearing housings thereby eliminating difficulties arising due to over or under greasing.

Working on a spring compression mechanism, the design regulates grease discharge in proportion to changing spring pressure thus maintaining constant discharge pressure of 1- 2 PSI.

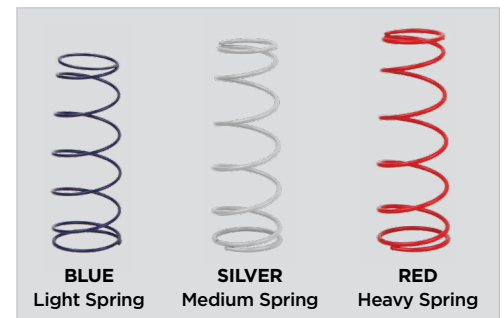
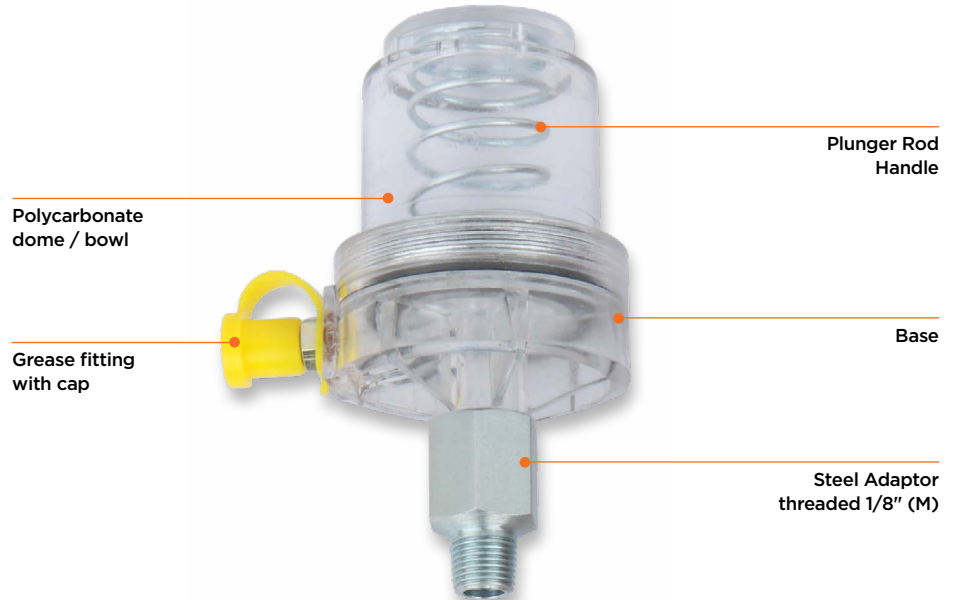
Assembled with medium duty Spring, the light & heavy duty springs come as spares in the pack and can be easily interchanged depending upon application.




Can be mounted in any position for easy visual inspection of grease levels. Reusable: Can be refilled easily with immediate activation.

1/8" (M) steel adaptor at the tail end fits directly onto bearing housings.

Remote Refill kit also available that permits remote filling of grease from distances up to 3 meters (10').

Proper spring selection. Every grease feeder unit comes fitted with a medium spring which can be used for most applications. Additional lightweight spring and a heavyweight spring are also available with each pack. Refer the spring selection guide for selecting proper spring as per the required application.



	PP SERIES	PA SERIES	PAN SERIES	BA SERIES
				
DOMES	Polycarbonate	Polycarbonate	Polycarbonate	Tempered Borosilicate with stainless steel cap
BASE	Polycarbonate	Die cast Aluminium	Die cast Aluminium with Nickel Plating	Die cast Aluminium
OPERATING TEMPERATURE	-23° C - 121° C (-10°F - 250°F)	-23° C - 121° C (-10°F - 250°F)	-23° C - 121° C (-10°F - 250°F)	-23° C - 232° C (-10°F - 450°F)
SIZES AVAILABLE	1oz (28gms), 2oz (56gms) & 6oz (170gms)	1oz (28gms), 2oz (56gms) & 6oz (170gms)	1oz (28gms), 2oz (56gms) & 6oz (170gms)	4 oz (113 gms)
APPLICATION	Static non vibratory conditions	Dynamic applications involving vibration & shocks	Corrosive environments for dynamic applications involving vibration & shocks: Chemical Plants, Food Industry etc	Very High temperature applications: Nuclear Plants, Steel Mills, Lumber drying Kilns etc.
SPRING TYPE	Blue, Silver, Red	Blue, Silver, Red	Blue, Silver, Red	Green, Yellow *

INSTALLATION

1. Use the dome spring as per your requirement.
2. Remove grease fitting from the bearing housing.
3. Screw the grease feeder assembly directly into the grease fitting hole. Turn hand tight only.
4. Connect a grease gun to the grease fitting fitted on the grease feeder and fill with non-separating grease till the piston reaches the caution line. Fill the grease feeder just above the caution line to remove air pockets.
5. Grease feeder unit can be refilled while mounted on the equipment. This should be accomplished before the piston reaches the base. Simply refill by attaching the grease gun to the grease fitting and fill until the piston rises to the bottom edge of the caution label. Do not overfill as overfilling can cause over-pressure which can result in top separating from base which can cause serious head or eye injury. For refilling hard to reach applications, use remote refilling kit.

MAINTENANCE & CLEANING

1. Grease feeders require minimum maintenance for providing long trouble free service.
2. The transparent dome should be kept clean and free from external dirt so that grease levels can always be seen.
3. Most of the external dirt can be easily cleaned with any mild detergent.

SIZE SELECTION GUIDE

BEARING SHAFT DIA.	UPTO 1-1/2" (38 MM)				1-1/2" (38 MM) & OVER			
	INTERMITTENT		CONTINUOUS		INTERMITTENT		CONTINUOUS	
OPERATING CONDITION	OPEN	SEALED	OPEN	SEALED	OPEN	SEALED	OPEN	SEALED
CLASS OF BEARING								
UNDER 1000 RPM	1 oz. (28.5 gm)	1 oz. (28.5 gm)	1 oz. (28.5 gm)	1 oz. (28.5 gm)	2 oz. (57 gm)	2 oz. (57 gm)	2 oz. (57 gm)	2 oz. (57 gm)
1000 TO 2500 RPM	1 oz. (28.5 gm)	1 oz. (28.5 gm)	1 oz. (28.5 gm)	1 oz. (28.5 gm)	2 oz. (57 gm)	2 oz. (57 gm)	6 oz. (171 gm)	6 oz. (171 gm)
OVER 2500 RPM	2 oz. (57 gm)	1 oz. (28.5 gm)	2 oz. (57 gm)	2 oz. (57 gm)	6 oz. (171 gm)	6 oz. (171 gm)	6 oz. (171 gm)	6 oz. (171 gm)

SPRING SELECTION GUIDE

OPERATING TEMPERATURE		NLGI GREASE TYPE				
FROM	TO	NO. 0	NO. 1	NO. 2	NO. 3	NO. 4
-23°C (-10°F)	4°C (40°F)	Light	Medium	Heavy		
4°C (40°F)	43°C (110°F)	Light	Medium	Medium	Heavy	
43°C (110°F)	93°C (200°F)		Light	Medium	Medium	Heavy
93°C (200°F)	121°C (250°F)			Light	Medium	Heavy

4. Grease fitting should be wiped properly before and after filling the grease.
5. Special care should be taken in extremely dirty and harsh environment and frequent cleaning should be done to ensure long life.

RECOMMENDED USE

For use with NLGI 0 to 4 non separating grease on any equipment that

- Has anti friction, oscillating or roller bearings
- Has shielded bearings with seals
- Has bronze, olite or open bearings
- Requires bearing flushing action

WARNING

Don't over pressurize the spring as it can result in top separating from the base which can cause serious head or eye injury.

TYPES OF SPRINGS

In PP, PA, PAN Series

Blue: Included in pack (Light Duty)

Silver: Comes as pre-installed (Medium Duty)

Red: Included in pack (Heavy Duty)

In BA Series

Green: Comes as pre-installed (Medium Duty)

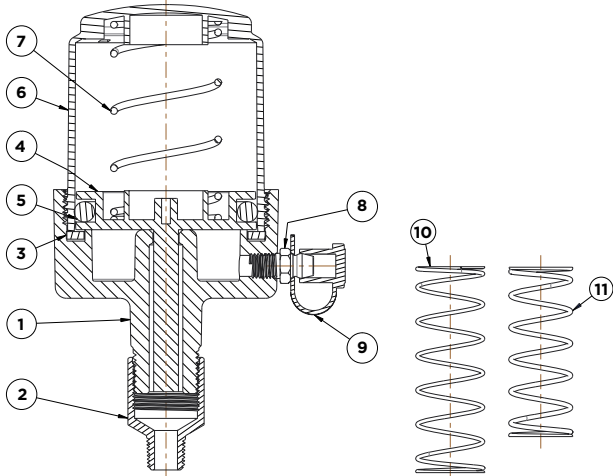
Yellow: Included in pack (Heavy Duty)

SPECIFICATIONS

MODEL	CAT NR.	CAT NR.	BOWL CAPACITY		OPERATING CONDITION	OVERALL DIA.		OVERALL HEIGHT		
			(Oz.)	(gms)		(inch)	(mm)	(inch)	(mm)	
POLYCARBONATE BOWL & BASE										
PP-1	GFD/PP/1/B	GFD/PP/1/N	1	28	Static	1-3/4	45	3-5/8	92	
PP-2	GFD/PP/2/B	GFD/PP/2/N	2	56	Static	2-3/8	60	4-5/8	117	
PP-6	GFD/PP/6/B	GFD/PP/6/N	6	170	Static	3	75	6	150	
POLYCARBONATE BOWL & ALUMINIUM BASE										
PA-1	GFD/PA/1/B	GFD/PA/1/N	1	28	Dynamic	1-3/4	45	3-5/8	92	
PA-2	GFD/PA/2/B	GFD/PA/2/N	2	56	Dynamic	2-3/8	60	4-5/8	117	
PA-6	GFD/PA/6/B	GFD/PA/6/N	6	170	Dynamic	3	75	6	150	
POLYCARBONATE BOWL & NICKEL PLATED ALUMINIUM BASE										
PAN-1	GFD/PAN/1/B	GFD/PAN/1/N	1	28	Corrosive	1-3/4	45	3-5/8	92	
PAN-2	GFD/PAN/2/B	GFD/PAN/2/N	2	56	Corrosive	2-3/8	60	4-5/8	117	
PAN-6	GFD/PAN/6/B	GFD/PAN/6/N	6	170	Corrosive	3	75	6	150	
BOROSILICATE BOWL & ALUMINIUM BASE										
BA-4	GFD/BA/4/B	GFD/BA/4/N	4	113	High Temperature / Nuclear Environments	3-1/4	82	7-1/8	181	
REMOTE GREASE REFILL KIT										
GFD/RK/1	3 m (10') Grease Hose with all fittings									

EXPLODED VIEW

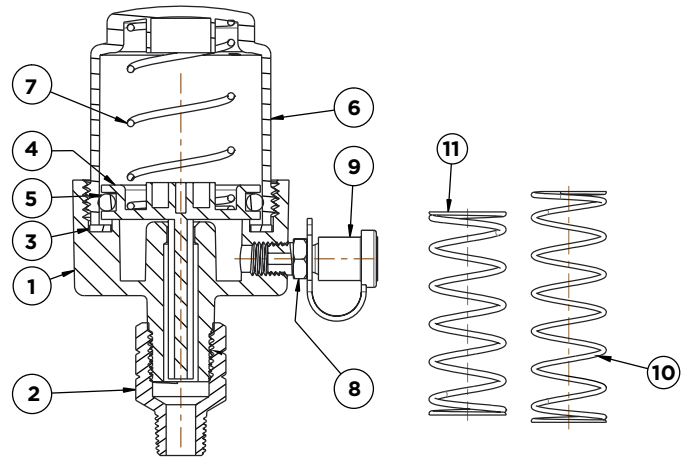
Polycarbonate Bowl & Base



PARTS LIST

SR. NO	PARTS DESCRIPTION	QTY.
1	Head	1
2	Adaptor	1
3	Washer	1
4	Piston	1
5	O-Ring	1
6	Container	1
7	Spring	1
8	Straight Lubrication Fitting	1
9	Grease Fitting Cap	1
10	Spring	1
11	Spring	1

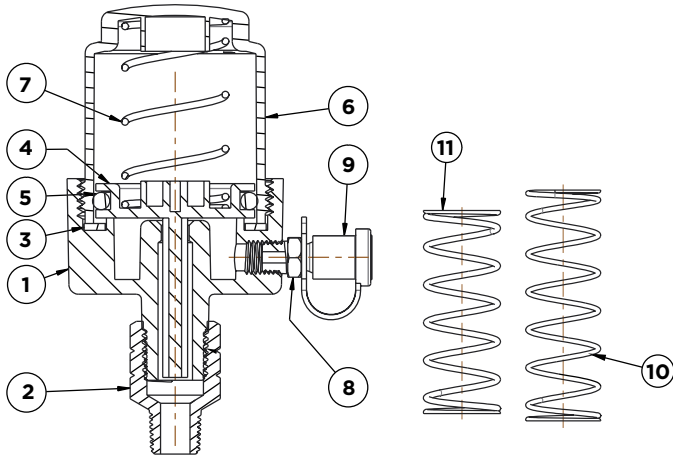
Polycarbonate Bowl & Aluminium Base



PARTS LIST

SR. NO	PARTS DESCRIPTION	QTY.
1	Head	1
2	Adaptor	1
3	Washer	1
4	Piston	1
5	O-Ring	1
6	Container	1
7	Spring	1
8	Straight Lubrication Fitting	1
9	Grease Fitting Cap	1
10	Spring	1
11	Spring	1

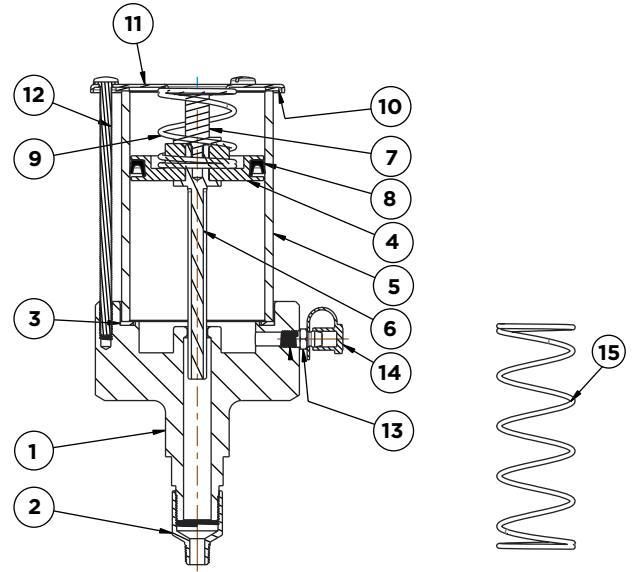
Polycarbonate Bowl & Nickel Plated Aluminium Base



PARTS LIST

SR. NO	PARTS DESCRIPTION	QTY.
1	Head	1
2	Adaptor	1
3	Washer	1
4	Piston	1
5	O-Ring	1
6	Container	1
7	Spring	1
8	Straight Lubrication Fitting	1
9	Grease Fitting Cap	1
10	Spring	1
11	Spring	1

Borosilicate Bowl & Aluminium Base



PARTS LIST

SR. NO	PARTS DESCRIPTION	QTY.
1	Head	1
2	Adaptor	1
3	Washer	1
4	Piston	1
5	Tube	1
6	Guide (Piston)	1
7	Adaptor (Piston)	1
8	Seal (Viton)	1
9	Spring	1
10	Washer	1
11	End Cap	1
12	Screw	3
13	Straight Lubrication Fitting	1
14	Grease Fitting Cap	1
11	Spring	1

Groz Engineering Tools (P) Ltd. Groz Net Industries

Village Kherki Daula, National Highway-8,
Gurgaon-122001, Haryana, INDIA

Tel +91.124.282.7734/40, 2827777
Fax +91.124.2827980, 2827986
E-Mail info@groz-tools.com
Url www.groz-tools.com

The GROZ name, GROZ logo and the  mark are trademarks of Groz Engineering Tools (P) Ltd., India