

Reference Manual

Solaira Cosy XL Double

CANADA & USA MODEL HEATERS:

SCOSYXL230120 / L1 (120V - 1500W (TOTAL: 3000W))

SCOSYXL230240 / L1 (208 / 240V - 1125 / 1500W (TOTAL: 2250 / 3000W))

SCOSYXL240240 / L1 (208 / 240V - 1500 / 2000W (TOTAL: 3000 / 4000W))

CANDEL EMITTER RANGE



**WEATHERPROOF INFRARED HEATERS
SUITABLE FOR OUTDOOR AND INDOOR USE -
RESIDENTIAL, COMMERCIAL AND INDUSTRIAL**



INFOSIGHT CONSUMER PRODUCTS INC.

125 Traders Blvd. E Unit # 4, Mississauga, Ontario L4Z 2H3

Tel: 905-568-7655 - Fax: 905-568-7521

Email: info@solairaheaters.com - Website: www.solairaheaters.com

▲ IMPORTANT - SAVE THESE INSTRUCTIONS FOR FUTURE REFERENCE



IMPORTANT INSTRUCTIONS



When using electrical INFRARED HEATERS, basic precautions should always be followed to reduce the risk of fire, electric shock, and injury to persons, including the following:

1. **Read all instructions before using this heater.**
2. Use this heater only as described in this manual. Any other use not recommended by the manufacturer may cause fire, electric shock, or injury to persons.
3. This heater is hot when in use. To avoid burns, do not let bare skin touch hot surfaces. If provided, use handles when moving this heater. Keep combustible materials, such as furniture, pillows, bedding, papers, clothes, and curtains at least 6 feet (1.8m) from the front of the heater and keep them away from the sides and rear.
4. Extreme caution is necessary when any heater is used by or near children or invalids and whenever the heater is left operating and unattended.
5. Always unplug the 120 volt heater when not in use or if hard wired, disconnect the supply.
6. Do not operate any heater with a damaged cord or after the heater malfunctions, has been dropped or damaged in any manner. Return heater to authorized service facility for examination, electrical or mechanical adjustment, or repair.
7. This heater is not intended for use in bathrooms, laundry areas and similar locations. Never locate heater where it may fall into a bathtub or other water container.
8. Do not run cord under carpeting. Do not cover cord with throw rugs, runners, or the like. Arrange cord away from traffic area and where it will not be tripped over.



IMPORTANT INSTRUCTIONS



9. To disconnect heater:
 - (i) For 120 volt heater remove both of the 3-pin 120 volt plugs from grounded socket outlets.
 - (ii) If hard wired - **WARNING** - Each power supply circuit shall be provided with disconnecting means and the disconnecting means shall be grouped together.
10. Connect to properly grounded outlet only.
11. Do not insert or allow foreign objects to enter any opening as this may cause an electric shock or fire, or damage the heater.
12. To prevent a possible fire, do not block openings in any manner.
13. A heater has hot parts inside. Do not use it in areas where gasoline, paint, or flammable liquids are used or stored.
14. Avoid the use of an extension cord because the extension cord may overheat and cause a risk of fire.
15. Do not cover or otherwise obstruct the heater.
16. Do not touch the heater during operation as the body becomes very hot and cause burns. Particular attention has been given where children and vulnerable people are present.



SAVE THESE INSTRUCTIONS



GROUNDING INSTRUCTIONS

For 120 volt heaters. The cords have 3-pin 120 volt grounded plugs.

For 240 (or 208) volt heaters. The cords from each terminal box must be hard wired.

INTRODUCTION

The Cosy XL Double heater produces radiant heat like the sun, warming people and objects rather than the air in between. It is mounted on an adjustable brackets that allows the heat to be directed exactly where it is required. Its attractive, design means that it is effective yet unobtrusive. The Cosy XL Double weatherproof heater is designed for indoor and outdoor use.

Please read the following instructions carefully before use. The safety of this heater is guaranteed only by its correct usage in accordance with these instructions, therefore they should be retained for future reference.



CAUTION



Before using this appliance:

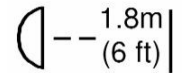
1. Check that the voltage indicated on the units rating label corresponds to the mains supply voltage.
2. Do not install the heaters less than the minimum height from the floor as specified below in the specification - Table. 1.
3. Ensure that the heater has been securely fastened in its final mounting position.
4. **WARNING** - this appliance must be grounded!
5. **WARNING** - Keep the mains cords away from the body of the heater which will get hot during use.
6. If a socket outlet is used do not position the outlet immediately behind the heater.
7. Avoid the use of an extension cord with this product.
8. Do not cover or obstruct the heater while it is in use.
9. Do not insert any object through any slot or opening in the heater.
10. Do not use if guard is not present.
11. **WARNING** - When replacing the emitter or cleaning the unit, ensure that both of the 3-pin 120 volt plugs are removed from its socket outlet or if hard wired circuit is disconnected from the mains supply. **Note:** always ensure that the emitter is cool before handling.
12. Do not handle the halogen emitter with bare hands. If it is inadvertently touched, remove finger marks with a soft cloth and methylated spirit or rubbing alcohol. Otherwise, the marks will burn into the quartz emitter during use causing premature heater failure.
13. The heater is not intended for use by young children and must be supervised by a responsible person at all times.
14. Always remove both of the 3-pin 120 volt plugs on the 120 volt heater if it is not being used.



WARNING: RISK OF FIRE



Keep combustible material such as furniture, papers, clothes and curtains at least 6 feet (1.8m) from the front of the heater and away from the sides and rear.



SPECIFICATION

Table 1. Canada and USA Heaters

Model	SCOSYXL230120	SCOSYXL230240	SCOSYXL240240
Voltage	120 V	208 / 240 V	
No. of Emitters × Power	2 × 1500 W	2 × 1125 / 1500 W	2 × 1500 / 2000 W
Total Power	3000 W	2250 / 3000 W	3000 / 4000 W
Current per Emitter	12.5 A	5.4 / 6.3 A	7.2 / 8.3 A
Total Current of Unit	25 A	10.8 / 12.5 A	14.4 / 16.7 A
Min. Mounting Height From Floor	98 in (250 cm)		
Min. Distance From Ceiling	12 in (30 cm)		18 in (46 cm)
Min. Distance From Side Wall	39 ½ in (100 cm)		
Dimensions - W × H × D	50 in × 4½ in × 3½ in (127 cm × 11 cm × 9 cm)		
Weight	13.2 lbs (6.0 kg)		

WARNING - The above heaters are not intended for indoor residential or household use.

INSTALLATION

The 120V version of the heater is fitted with 2 × supply cords measuring 180 inches (500 cm) and has molded 3 - pin 15 amp plugs.

The 208 / 240V version of the heater is fitted with 2 × supply cords measuring 79 inches (200 cm) for hard wiring.

WARNING: Wiring procedures and connections should be in accordance with the National Electric Code (NEC) and local codes.

WARNING: If the supply cord(s) becomes damaged, it must be immediately replaced by a qualified person in order to avoid a hazard.

CAUTION: Disconnect electric power supply before working on circuit wiring to prevent electric shock.

CAUTION: Please observe the minimum safe distance between the heater body and any inflammable surfaces.

CAUTION: When the electrical connection is outside weatherproof sockets must be used having ground fault protection (GFCI or GFI).

! **NOTE: CONSULT A QUALIFIED ELECTRICIAN, IF IN DOUBT.**

MOUNTING

CAUTION

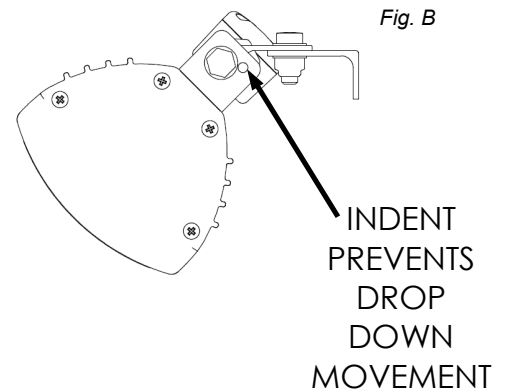
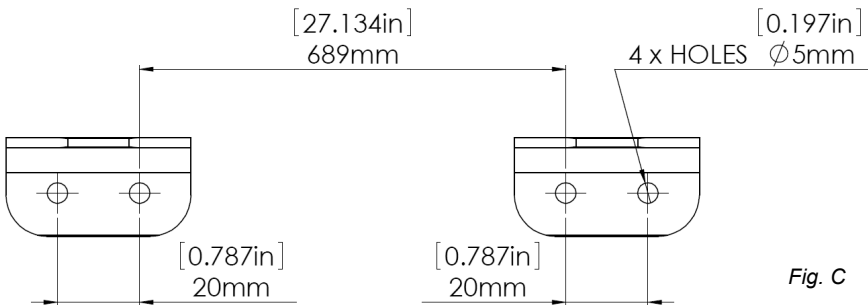
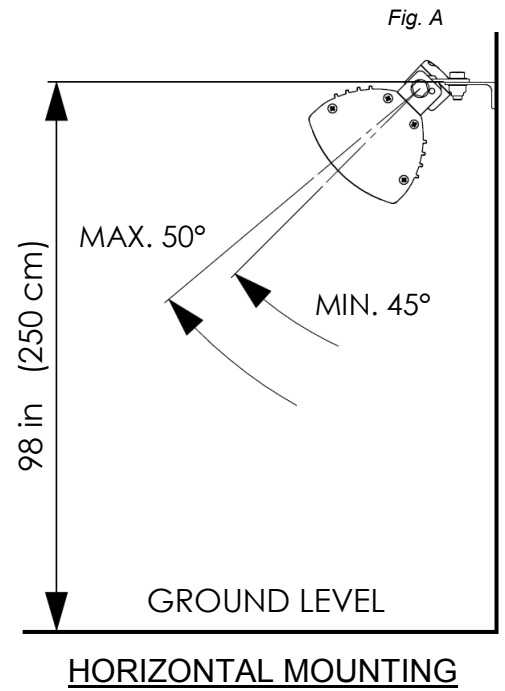
Switch off/unplug the heater from the mains supply when mounting or adjusting the heater position.

The Cosy XL Double heater should be mounted in a horizontal (Fig. A) manner only.

1. Securely fasten the heater brackets to the mounting surface using the fixing holes in the brackets. See Fig. C for mounting hole centres of the brackets. Please refer to Table 1 for recommended positioning of the heater.

2. The heater bracket can be used to adjust the direction of the heater up and down (see Fig. B). This is done by loosening the bolts fixing the heater to the bracket, and then retightening once the correct position is achieved. Fix in the required angular position.

3. Secure the supply cords so they are directed away from the heater and is not resting on the body or obstructing the air-vents.



CAUTION: When mounting the heater, do not position the heater at an angle more than 50° or less than 45° as shown in Fig. A.

CAUTION: The heater should be mounted with the minimum clearances adhered to. Please refer to Table 1 for the recommended positioning of the heater. Do not install the heater in a corner!

CAUTION: Always allow the heater to cool before attempting to reposition/move. Never attempt to move the heater while it is switched on!

CAUTION: Observe the minimum safe distance between the heater body and inflammable surfaces and objects when mounting (see table 1).

MAINTENANCE

! NOTE: For replacement emitters or spare parts (see diagram on back page) please contact your local distributor quoting model type and rating from rating label. It is very important that your replacement emitter is exactly the same as the one it was supplied with. Failure to fit the exact same type can cause the heater to prematurely fail.

! CAUTION: Unplug/Switch off unit from the mains supply before replacing emitter or any maintenance procedure including cleaning.

! CAUTION: Should dust or dirt appear on the reflector, it is recommended that that the guard and emitter are removed and the reflector is wiped with a lint-free cloth before reassembling (see emitter replacement instructions).

YOUR REPLACEMENT EMITTER(S)

! CAUTION: Please ensure that the length of wires on the replacement emitter(s) are the same as shown in the diagram below (Fig. D). The sleeves should be shorter than the overall length of the wires to allow them to pass through the terminal box sealing gasket. The stripped ends should be fitted with plain tube crimps to ensure good connections are made.

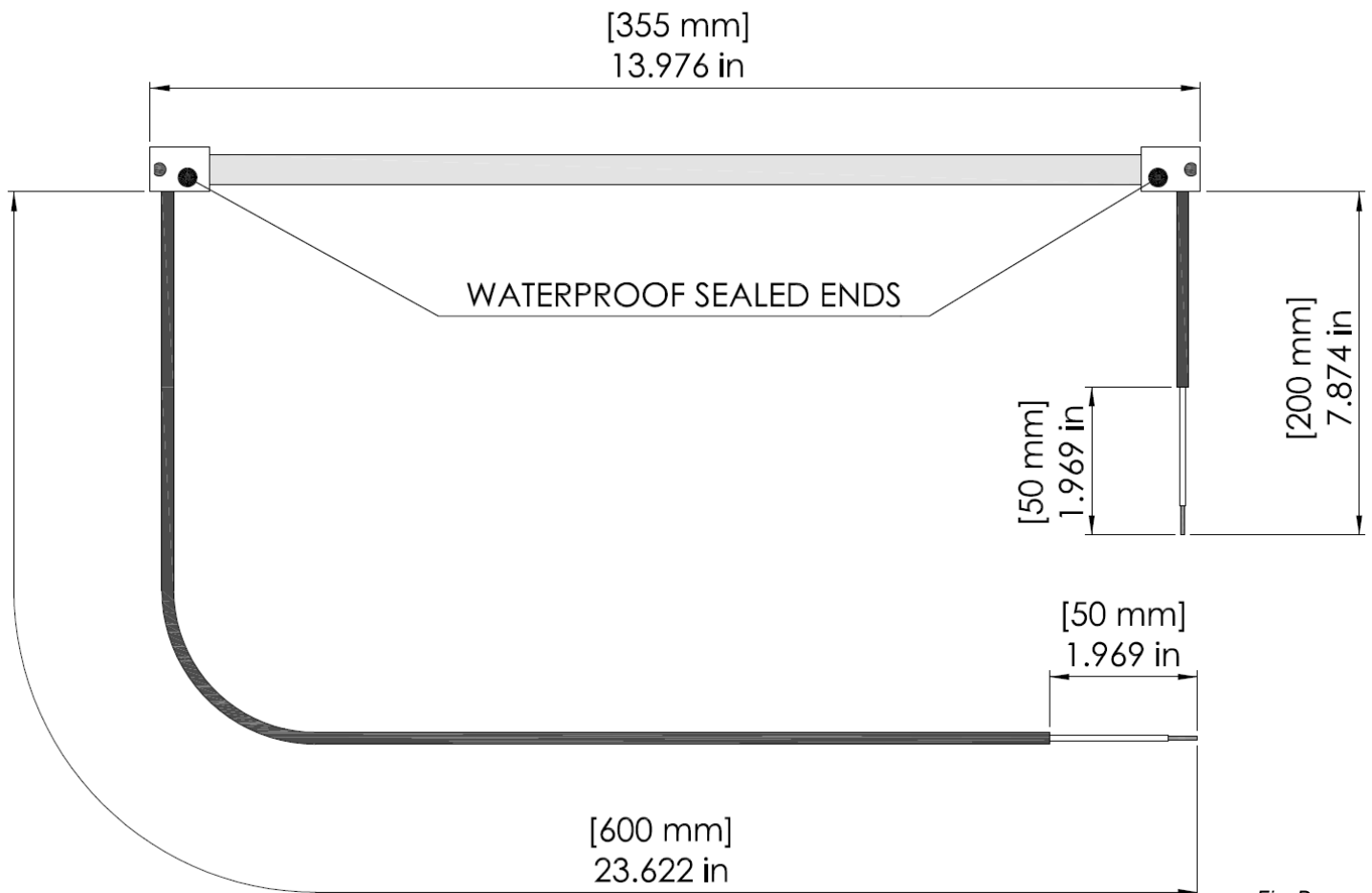


Fig. D

REPLACING THE EMITTER



CAUTION



Unplug/switch off from the mains power before any attempts are made to replace the emitter. Contact your distributor for the correct replacement quoting model type and rating from rating label. We recommend you read through the procedure and refer to the parts diagram on the back page of this manual before commencing work.

1. Ensure the heater and emitter are cool and the power supply is disconnected to both emitters even if only one emitter is to be replaced.
2. Remove the heater from its mounted position should it not be safe to work on it while mounted.
3. Remove the screws from the terminal box (Fig. 1) and lift off the cover.

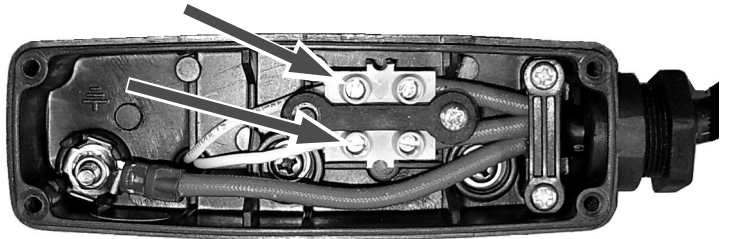
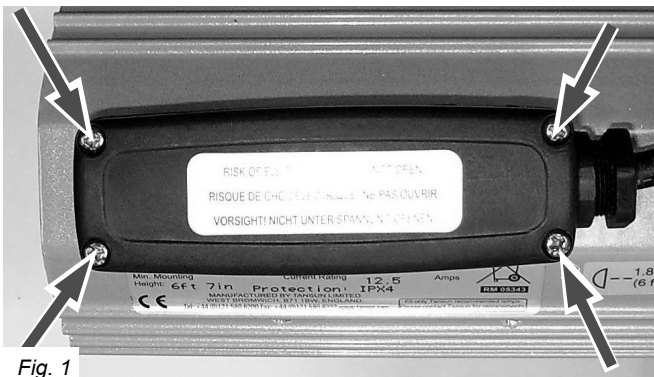


Fig. 2

4. Disconnect the emitter wires from the connector blocks by unscrewing the screws highlighted above in Fig. 2.
5. Unscrew the four screws (see Fig. 3) from the end cap to the side of the emitter to be replaced and remove the end cap.

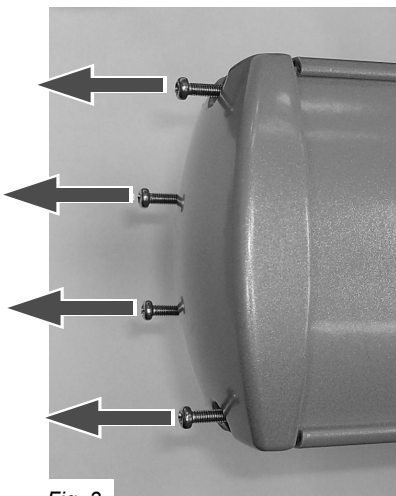


Fig. 3

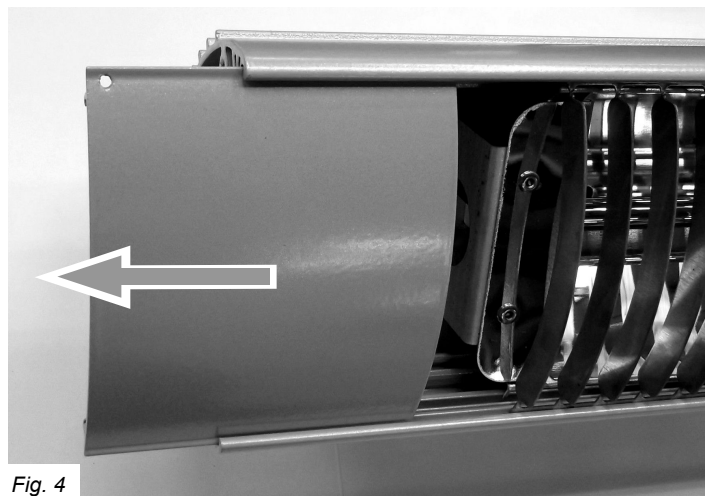


Fig. 4

6. Slide out the side cover (Fig. 4), and guard from the open end. The middle cover can be left in the body and pushed to one side to access the emitter.

7. Remove the two screws as highlighted on in Fig. 5 to take out the side reflector bracket to access the emitter holding clip. Repeat at opposite end of emitter.

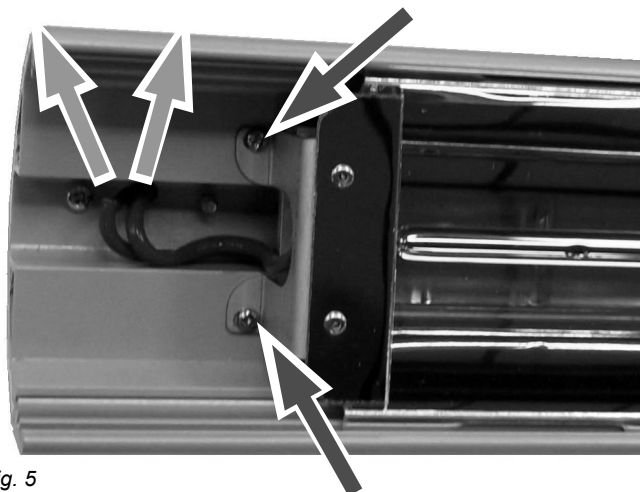


Fig. 5

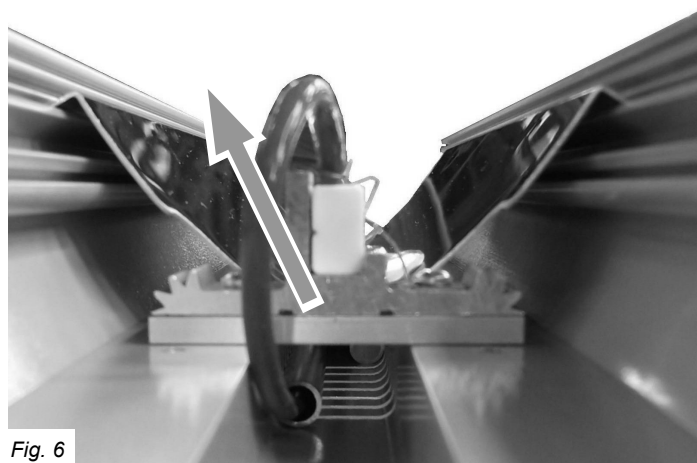


Fig. 6

8. Where the emitter wires are fed through the gasket into the terminal box (Fig. 5), gently pull the emitter wires through the body of the heater so the wires exit the terminal box.

9. At the opposite end of the emitter, the wire will be clearly visible in the emitter wire tube so gently pull the wire (Fig. 6) out of the tube until it is free.

10. One at a time pull the spring clips back in the direction shown in Fig. 7 and lift up the ceramic caps of the emitter to remove it from the heater.

11. The emitter should now be removed from the heater.

12. Refit the new emitter(s) in reverse order ensuring the ceramic caps are correctly seated in the emitter holders, no wires are trapped and all screws are fully tightened. Refer to page 7 - 'YOUR REPLACEMENT EMITTER(S)' before following this step.

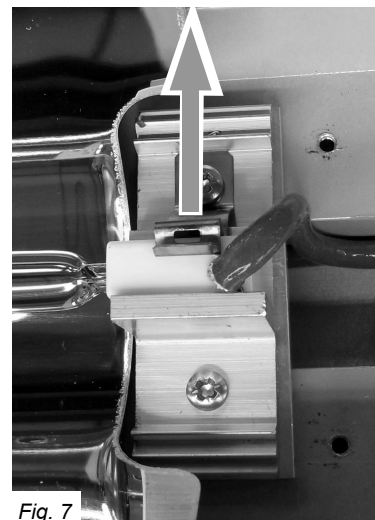


Fig. 7

