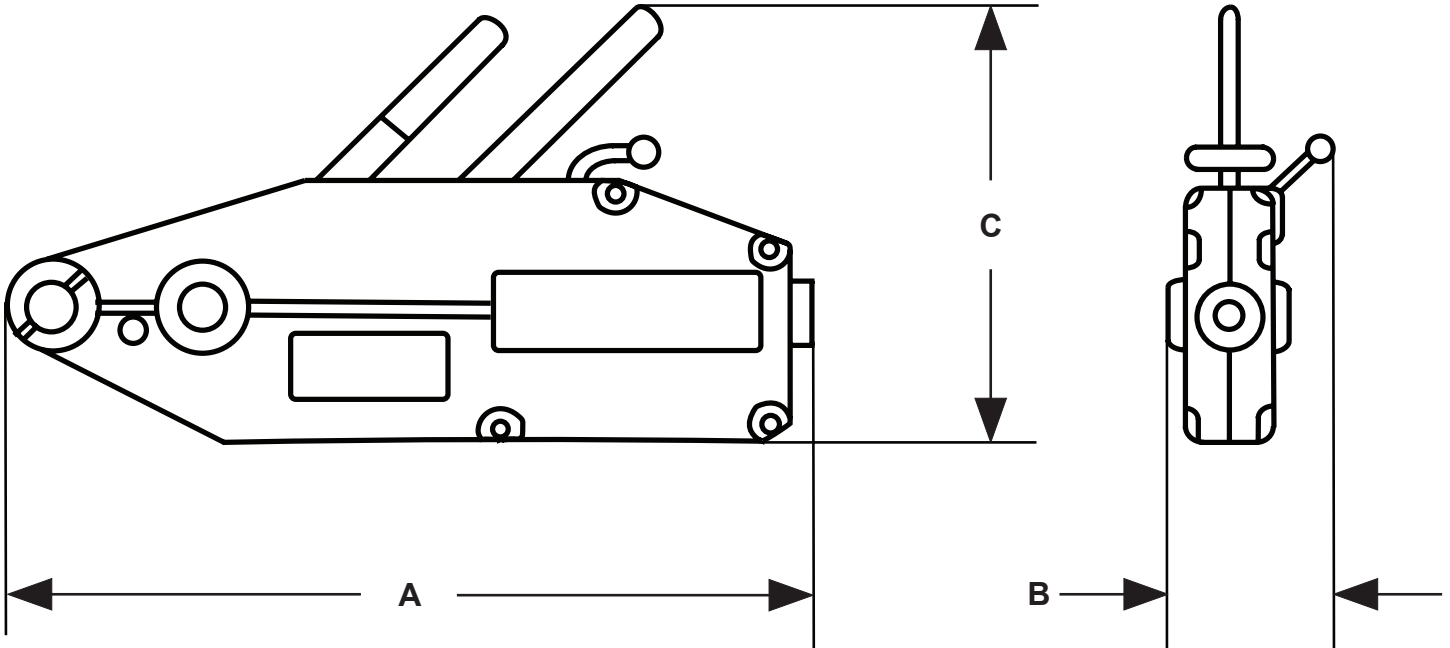


WIRE ROPE PULLERS

DATA SHEET



MODEL NUMBERS	WRP075C	WRP150C	WRP300C
LIFTING CAPACITY (POUNDS)	1,760	3,525	7,050
ROPE ADVANCE PER FULL STROKE (INCHES)	2.0	2.2	1.1
ROPE DIAMETER (INCHES)	5/16	7/16	5/8
STANDARD WIRE ROPE LENGTH (FEET)	33 AND 65	33 AND 65	33 AND 65
NET WEIGHT WITH HANDLE (POUNDS)	20	36	58
HANDLE LENGTH (INCHES)	32.5	47.5	47.5
PULLING EFFORT AT RATED CAPACITY (KILOGRAMS)	64	93	99
DRIVE STEP	1	1	1
DIMENSIONS (INCHES)			
A (OVERALL LENGTH)	17.0	21.5	26.0
B (OVERALL WIDTH)	2.5	3.8	4.5
C (OVERALL HEIGHT)	9.0	10.3	12.5