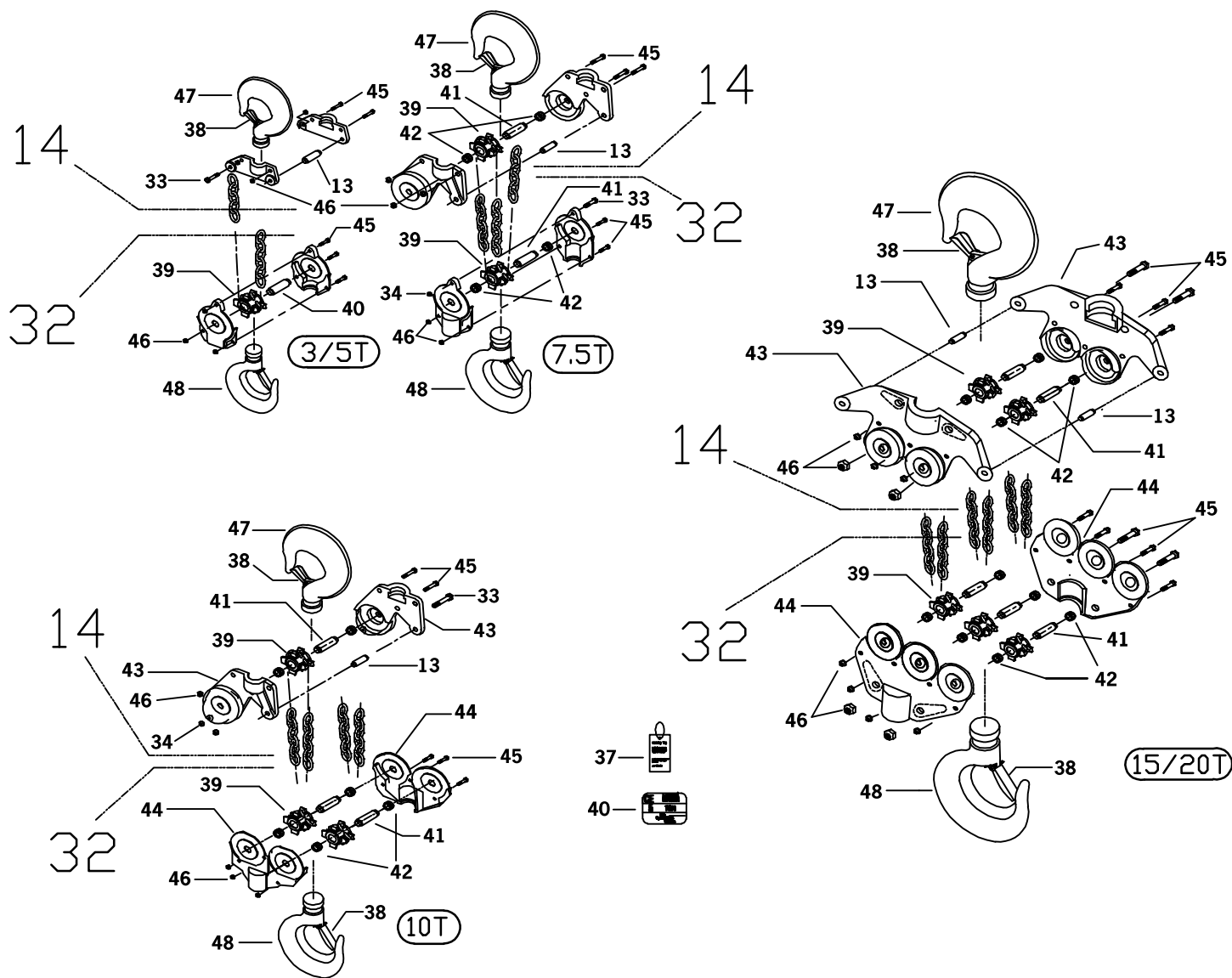


No	Description	Qty
01	Side Plate I	1
02	Load Sheave	1
03	Chain Guide	2
04	Chain Stripper	1
05	Side Plate II	1
06	1st Gear	1
07	Pinion Washer	1
08	Pinion Shaft	1
09	2nd 3rd Gear	2
10	Support Plate	1
11	Gear Cover	1
12	U-Nut	6
13	Top Hook Pin	1
14	Top Hook Assembly	1
15	Hub	1
16	Ratchet Gear	1
17 / 18	1 set Disc A & Disc B	1
19	Pawl Spring	1
20	Pawl	1

No	Description	Qty
21	Snap Ring	1
22	End Spring	1
23	End Anchor Pin	1
24	End Anchor A (b)	1
25	Brake Cover	1
26	Hand Wheel	1
27	Wheel Washer	1
28	Pinion Nut	1
29	Cotter Pin	1
30	Hand Chain	1
31	Wheel Cover	1
32	Bottom Hook Assembly	1
33 / 34	1 set Hook Bolt and U-Nut	1
35	End Anchor B (b)	1
36	Load Chain	1
37	Warning Label (a)	1
38	Safety Hook Latch	2
39	Top/Bottom Hook Sheave	1
40	Capacity Label (b)	1

Note: (a) Not Shown. Attached to load block. Replace if missing or illegible. (b) Not Shown.

TO ORDER PARTS: Provide capacity, serial number, part number, part description, and quantity required. Use only MAGNA® replacement parts.



No	Description	Capacity / Qty				
39	Top/Bottom Hook Sleeve	3/5t : 1	7.5t : 2	10t : 3	15t : 5	20t : 7
41	Axle	3/5t : 1	7.5t : 2	10t : 3	15t : 5	20t : 7
42	Bearing HK3020		7.5t : 4	10t : 6	15t : 10	20t : 14
43	Top Hook Holder	3/5t : 2	7.5t : 2	10t : 2	15t : 2	20t : 2
44	Bottom Hook Holder	3/5t : 2	7.5t : 2	10t : 2	15t : 2	20t : 2
45	Holder Bolt	3/5t : 5	7.5t : 4	10t : 5	15t : 11	20t : 13
46	Holder Nut	3/5t : 1	7.5t : 4	10t : 5	15t : 11	20t : 13
47	Top Hook	3/5t : 1	7.5t : 1	10t : 1	15t : 1	20t : 1
48	Bottom Hook	3/5t : 1	7.5t : 1	10t : 1	15t : 1	20t : 1

TO ORDER PARTS: Provide capacity, serial number, part number, part description, and quantity required. Use only MAGNA® replacement parts.