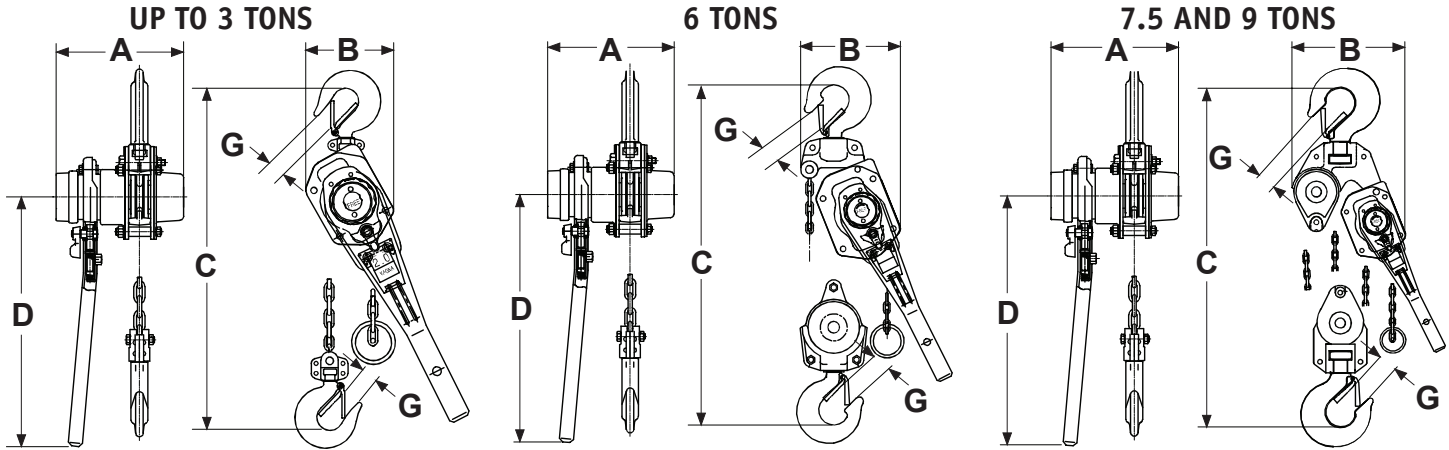


LEVER HOISTS

DATA SHEET



MODEL NUMBERS	LH025	LH075	LH100	LH150	LH150C*	LH200	LH300	LH600	LH750	LH900
CAPACITY (POUNDS)	550	1,650	2,200	3,300	3,300	4,400	6,600	13,200	16,500	19,800
STANDARD LIFT (FEET)	5	5	5	5	5	5	5	5	5	5
LOAD CHAIN (MILLIMETERS)	4.0 x 12.0	6.3 x 19.1	6.3 x 19.1	7.1 x 21.0	7.1 x 21.0	7.1 x 21.0	9.0 x 27.0	9.0 x 27.0	9.0 x 27.0	9.0 x 27.0
LOAD CHAIN GRADE	Grade 80	Grade 80	Grade 80	Grade 80	Grade 80	Grade 100	Grade 100	Grade 100	Grade 100	Grade 100
PULL TO LIFT LOAD (POUNDS)	55	59	59	63	84	63	81	83	85	88
NET WEIGHT WITH STANDARD LIFT (POUNDS)	4.5	15.6	16.3	22.0	21.0	23.0	36.1	60.6	92.5	106.0
LOAD CHAIN FALL (LINES)	1	1	1	1	1	1	1	2	3	3
WEIGHT FOR ADDITIONAL FIVE FEET OF LIFT (POUNDS)	1.1	3.1	3.1	3.7	3.7	3.7	6.0	12.0	17.9	17.9
TEST LOAD (POUNDS)	827	2,646	3,307	4,960	4,960	6,614	9,921	19,842	24,802	29,762
DIMENSIONS (INCHES)										
A	3.9	6.2	6.2	6.9	6.9	6.9	7.8	7.8	7.8	7.8
B	2.4	6.0	6.0	5.7	5.7	5.7	7.5	9.3	12.6	12.6
C	9.7	11.0	11.0	13.0	13.0	13.0	17.7	21.7	26.0	27.2
D	5.9	11.0	11.0	15.4	11.0	15.4	15.4	15.4	15.4	15.4
G	0.6	1.1	1.1	1.3	1.3	1.3	1.5	1.8	1.8	2.2

*C IN PART NUMBER STANDS FOR COMPACT VERSION