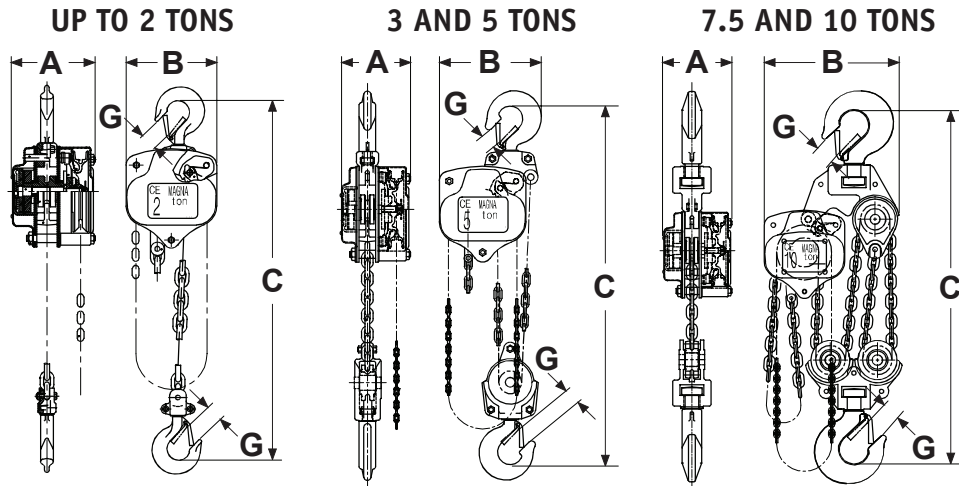


# CHAIN HOISTS

## DATA SHEET



MODEL NUMBERS	CH050	CH100	CH150	CH200	CH300	CH500	CH750	CH1000	CH1500	CH2000	CH3000	CH4000
<b>CAPACITY (POUNDS)</b>	1,100	2,200	3,300	4,400	6,600	11,000	16,500	22,000	33,000	44,000	66,000	88,000
<b>STANDARD LIFT (FEET)</b>	10	10	10	10	10	10	10	10	10	10	10	10
<b>LOAD CHAIN (MILLIMETERS)</b>	6.3 x 19.1	6.3 x 19.1	7.1 x 21.0	7.9 x 23.0	7.1 x 21.0	9.0 x 27.0	9.0 x 27.0	9.0 x 27.0	9.0 x 27.0	9.0 x 27.0	9.0 x 27.0	9.0 x 27.0
<b>LOAD CHAIN GRADE</b>	Grade 80	Grade 80	Grade 80	Grade 80	Grade 80	Grade 100	Grade 100	Grade 100	Grade 100	Grade 100	Grade 100	Grade 100
<b>HAND CHAIN* (MILLIMETERS)</b>	0.5 x 22.5	0.5 x 22.5	0.5 x 22.5	0.5 x 23.4	0.5 x 22.5	0.5 x 23.4	0.5 x 23.4	0.5 x 23.4	0.5 x 23.4	0.5 x 23.4	0.5 x 23.4	0.5 x 23.4
<b>PULL TO LIFT LOAD (POUNDS)</b>	53	73	75	75	77	86	90	90	90 x 2**	90 x 2**	95 x 2**	95 x 2**
<b>NET WEIGHT WITH STANDARD LIFT (POUNDS)</b>	25	26	31	43	49	86	119	152	317	403	564	1,014
<b>LOAD CHAIN FALL (LINES)</b>	1	1	1	1	2	2	3	4	6	8	10	14
<b>WEIGHT FOR ADDITIONAL FIVE FEET OF LIFT (POUNDS)</b>	6.1	6.1	6.9	7.9	10.6	15.4	21.4	27.4	39.4	51.4	63.4	87.4
<b>TEST LOAD (POUNDS)</b>	1,653	3,307	4,960	6,614	9,921	16,535	24,802	33,069	49,604	66,139	99,208	132,277
<b>DIMENSIONS (INCHES)</b>												
<b>A</b>	5.8	5.8	5.8	7.1	5.8	7.1	7.1	7.1	8.2	8.2	15.9	19.8
<b>B</b>	6.1	6.1	6.9	8.0	8.1	10.4	14.2	14.5	29.7	34.4	29.1	29.9
<b>C</b>	12.4	12.4	13.4	16.5	18.7	25.0	27.6	29.9	33.5	34.3	29.1	29.9
<b>G</b>	1.1	1.2	1.3	1.5	1.7	1.8	1.8	2.4	3.1	3.5	3.5	4.0

\*HAND CHAIN DROP LENGTH IS EQUAL TO THE LOAD CHAIN LENGTH UNLESS OTHERWISE REQUESTED

\*\*2 HAND CHAIN FALLS