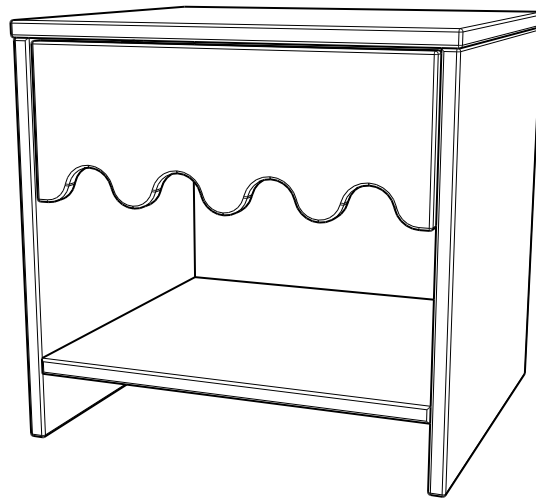


œuf[®]

MOSS NIGHTSTAND

ITEM # 1MSNS-x



icp68236

Oeuf LLC 234 Underhill Ave | Brooklyn, NY 11238 | USA +1 (718) 965-1216 | www.oeufnyc.com

Distributed internationally by:

Canada

Monte Distribution Inc.
270 Belfield Rd
Toronto, Ontario
M9W 1H5
Canada
Tel: +1 866 604 6755
info@oeufcanada.com

UK

Kids At Home Distrb.
Newick Business Centre
Church Road
Newick, BN8 4NA
England
Tel: +01825 724160
kahdistribution@gmail.com

EU

Suede Import
20 Bis Rue des Champs
92600 Asnières-sur-Sein
France
Tel: +33 (0)1 40 86 06 03
suedeimport@yahoo.fr

Korea

J2 International Inc.
(주) 제이투인터내셔널
서울시 강남구 도산대로 506
재정빌딩 304호
Tel: +82 70 8247 7576
oeufkorea.igt@gmail.com

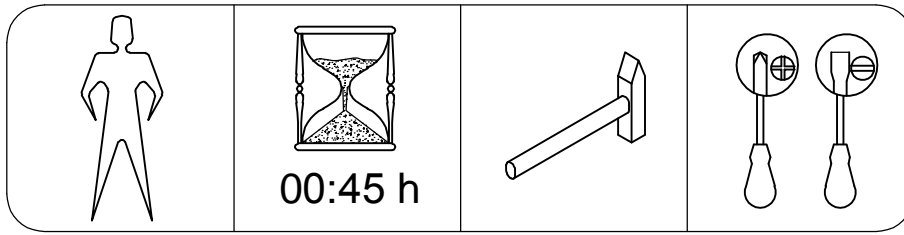
China

Arketype Limited
7F Metro Loft, 38 Kwai Hei St.
Kwai Chung, N.T.,
Hong Kong
+852 2110 9400
www.arketype.com

Australia

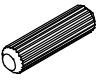



Kido Agencies
Postal: PO Box 6039
Alexandria NSW 2015
Australia
Tel: +61 2 9045 7799
info@kidoagencies.com



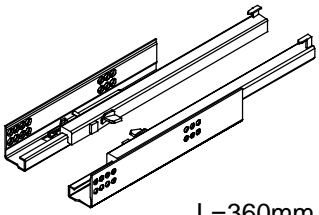

Made in Latvia



Fittings List

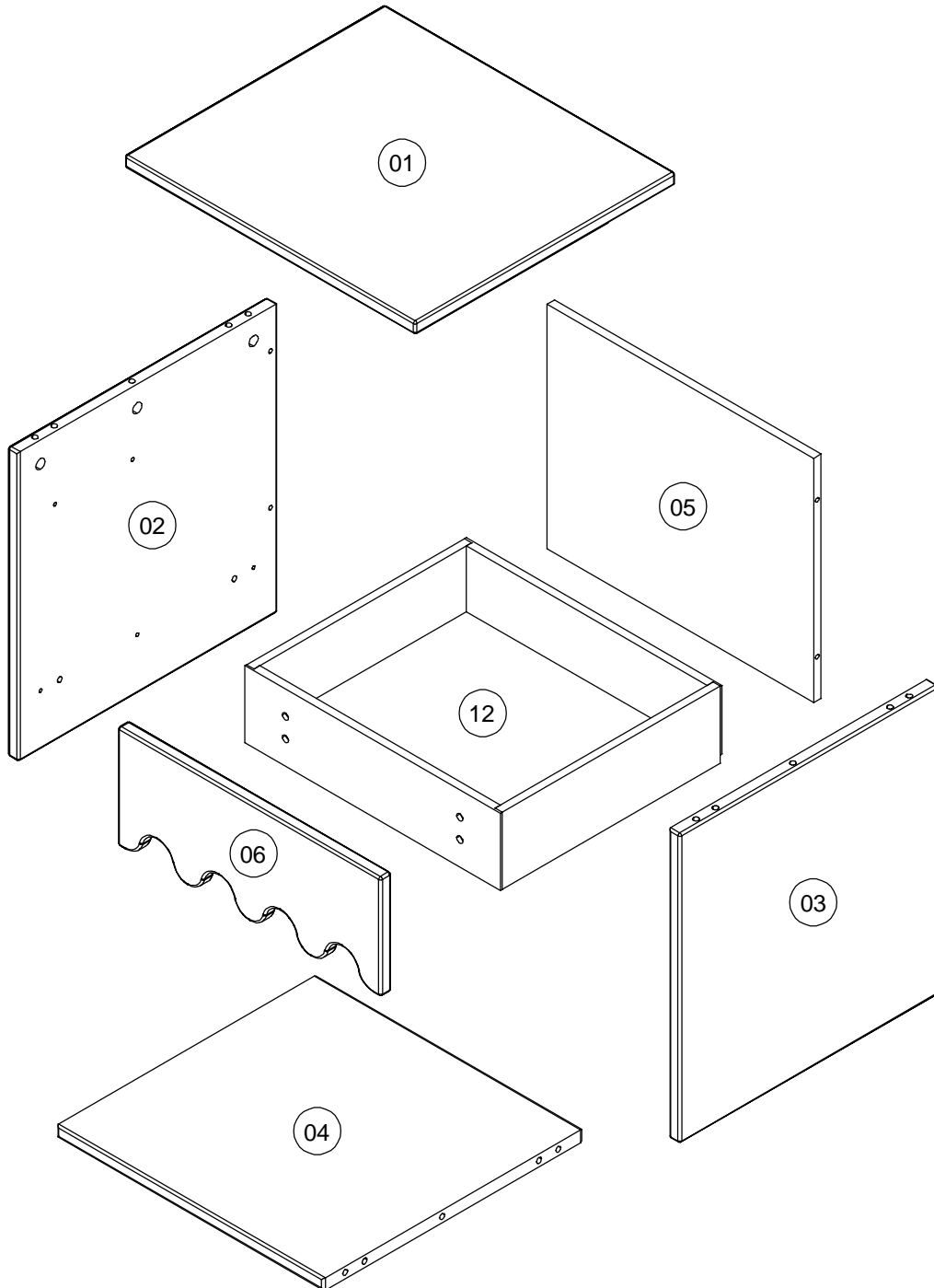
Liste des Pièces

A	 $\text{Ø}8 \times 30$	8 pcs
B	 $\text{Ø}6 \times 30$	4 pcs
C	 $B34 \times 5 \times 11$	12 pcs
D	 $\text{Ø}15 \times 13,8$	12 pcs

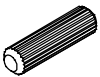
E	 $\text{Ø}7,3 \times 14$	4 pcs
F	 $\text{Ø}5 \times 10,5$	4 pcs
G	 $L=360\text{mm}$	1 pcs
H	 $\text{Ø}3,5 \times 15$	4 pcs

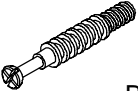
Parts List

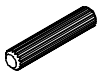
Liste des Pièces




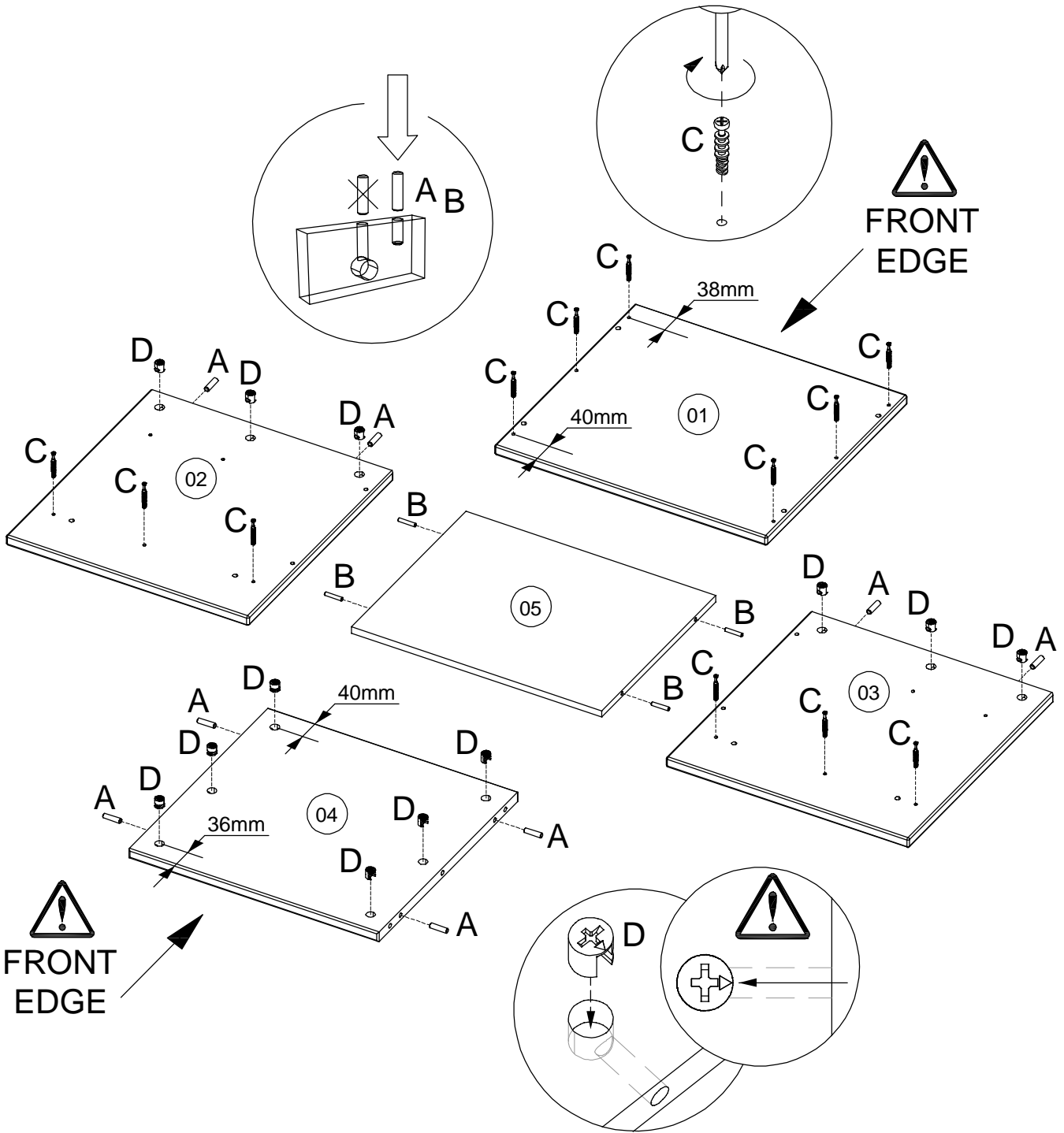
1


A		8 pcs Ø8x30
---	---	----------------


C		12 pcs B34x5x11
---	---	--------------------

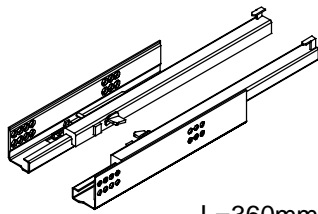
B		4 pcs Ø6x30
---	---	----------------

D		12 pcs Ø15x13,8
---	---	--------------------

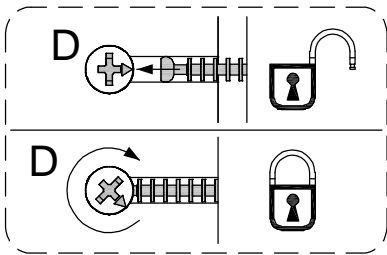
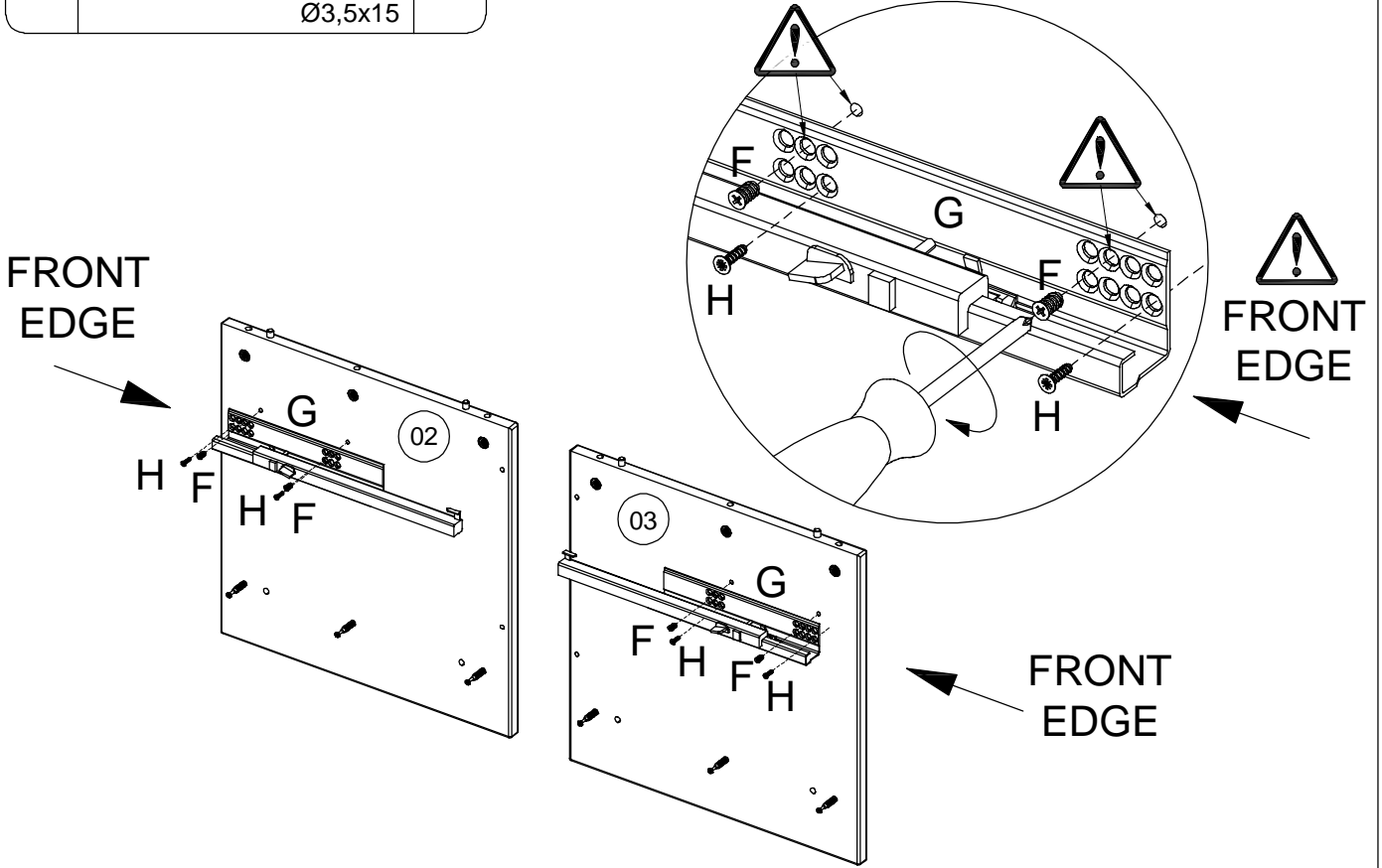


F		4 pcs
	Ø5x10,5	

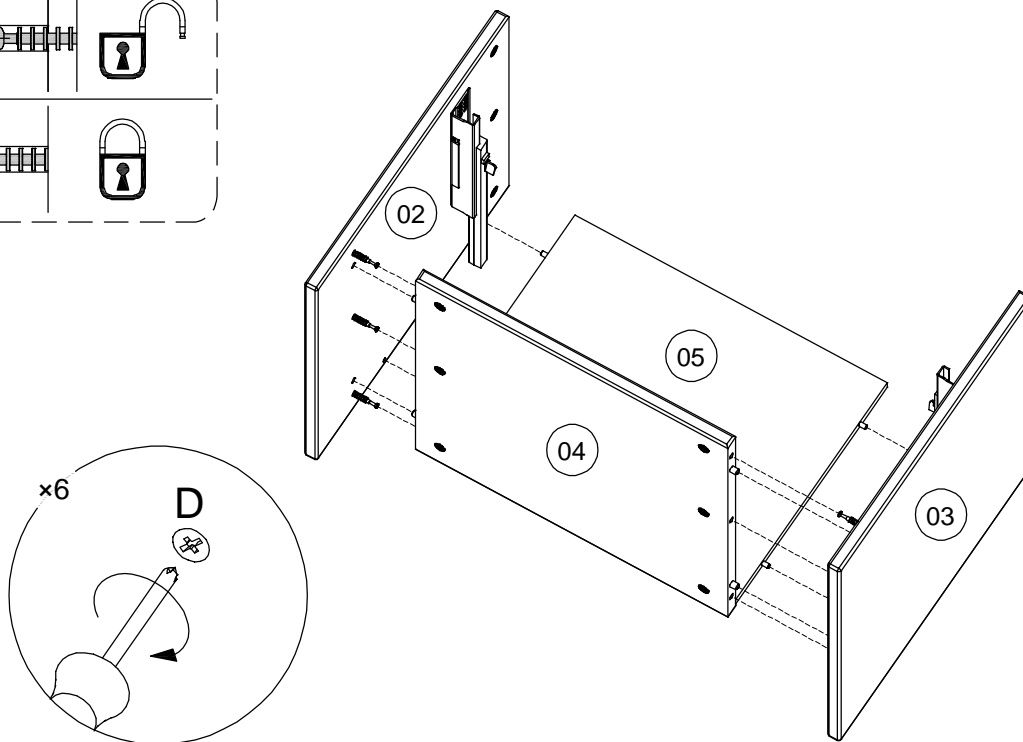
H		4 pcs
	Ø3,5x15	

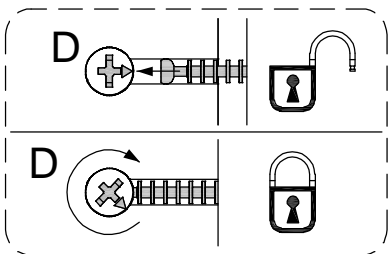
G		1 pcs
	L=360mm	

2

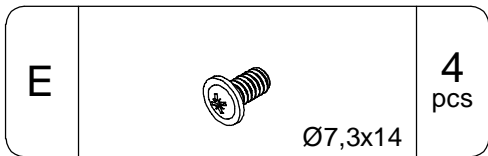
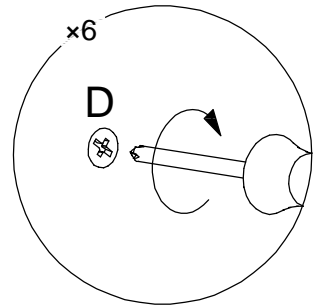
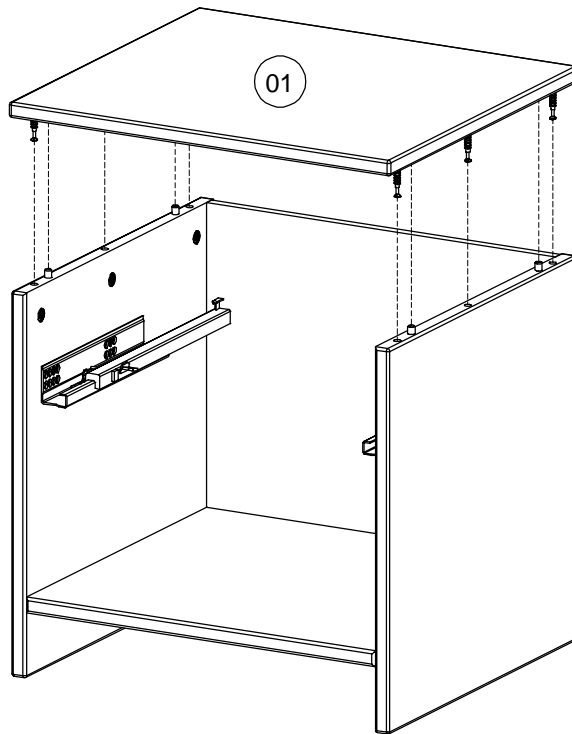


3

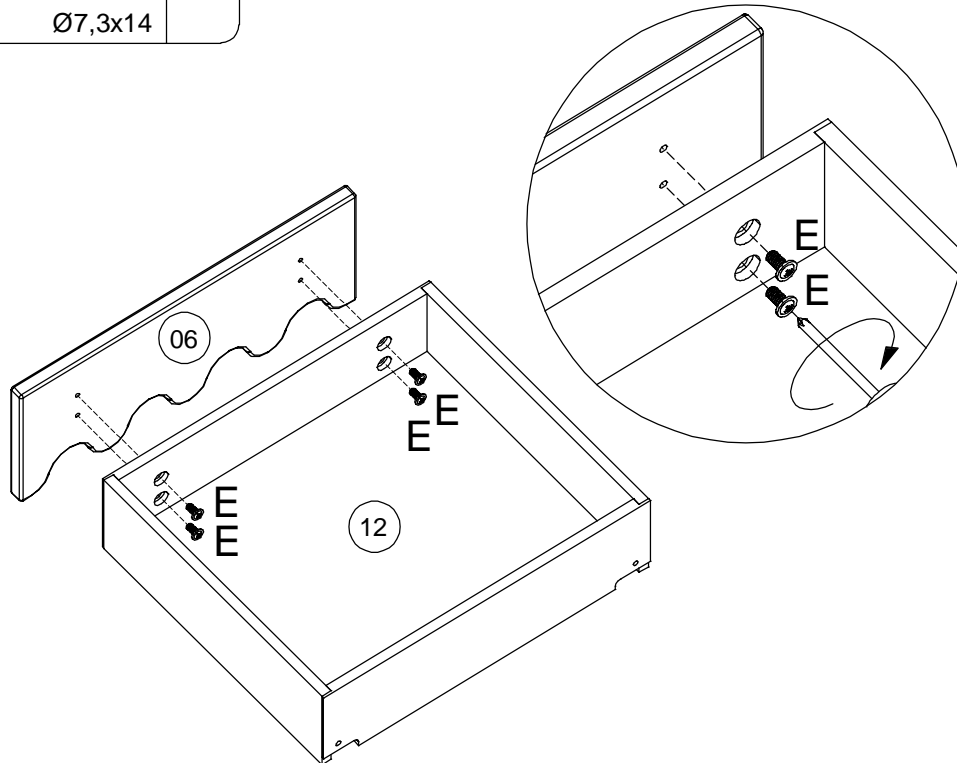




4



5

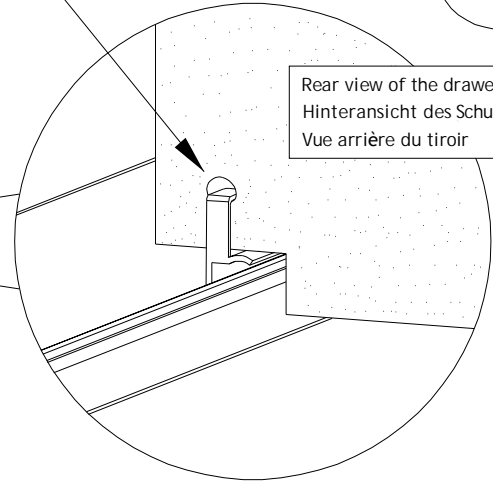
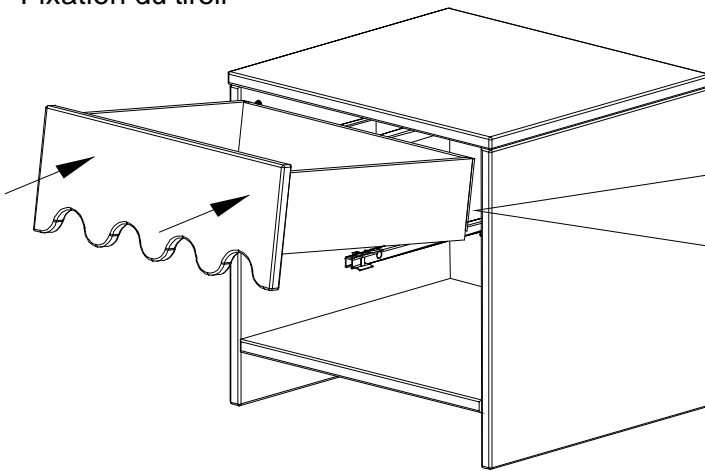


Installing the drawer
Einhängen der Schublade
Fixation du tiroir

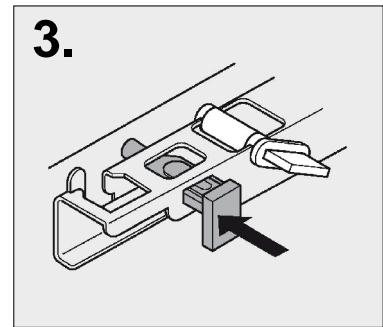
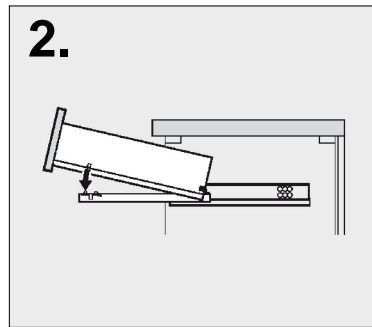
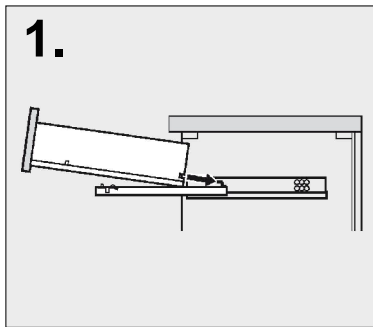


Ensure the metal tab goes into the hole at the back of the drawer box!

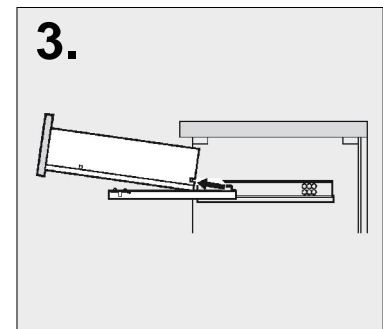
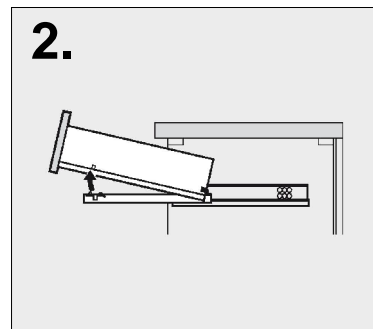
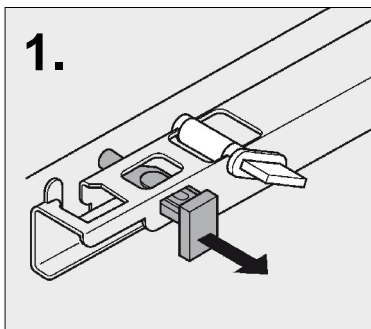
6



Rear view of the drawer
Hinteransicht des Schubkastens
Vue arrière du tiroir



Removal of drawer
Aushängen der Schublade
Suppression de tiroir



Height adjustment
Höhenverstellung
Réglage de la hauteur

