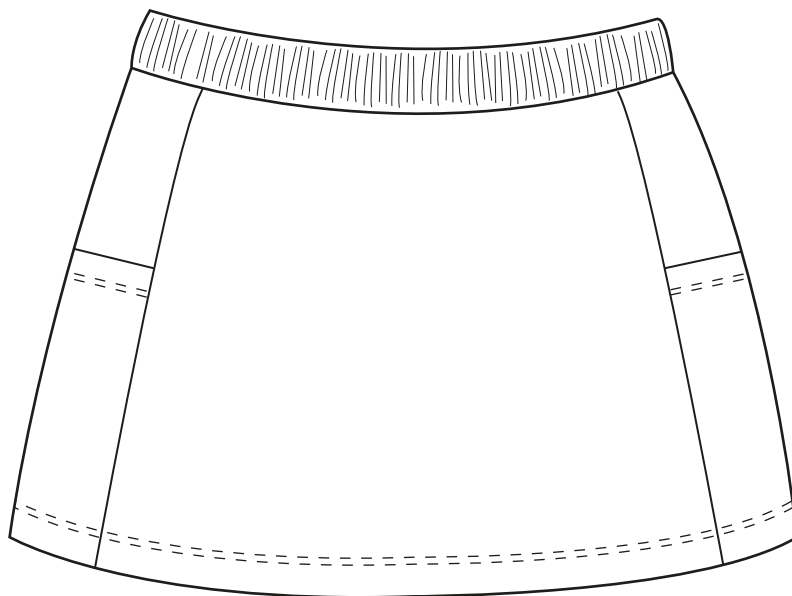
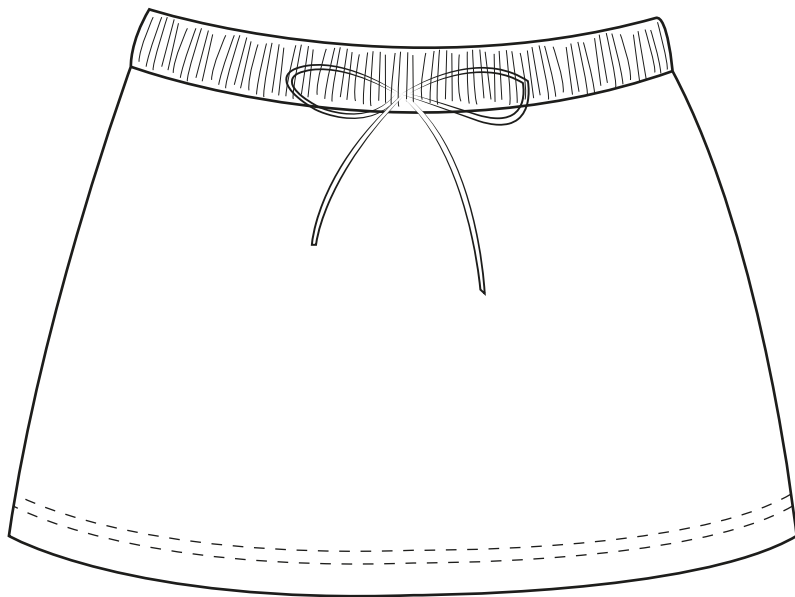
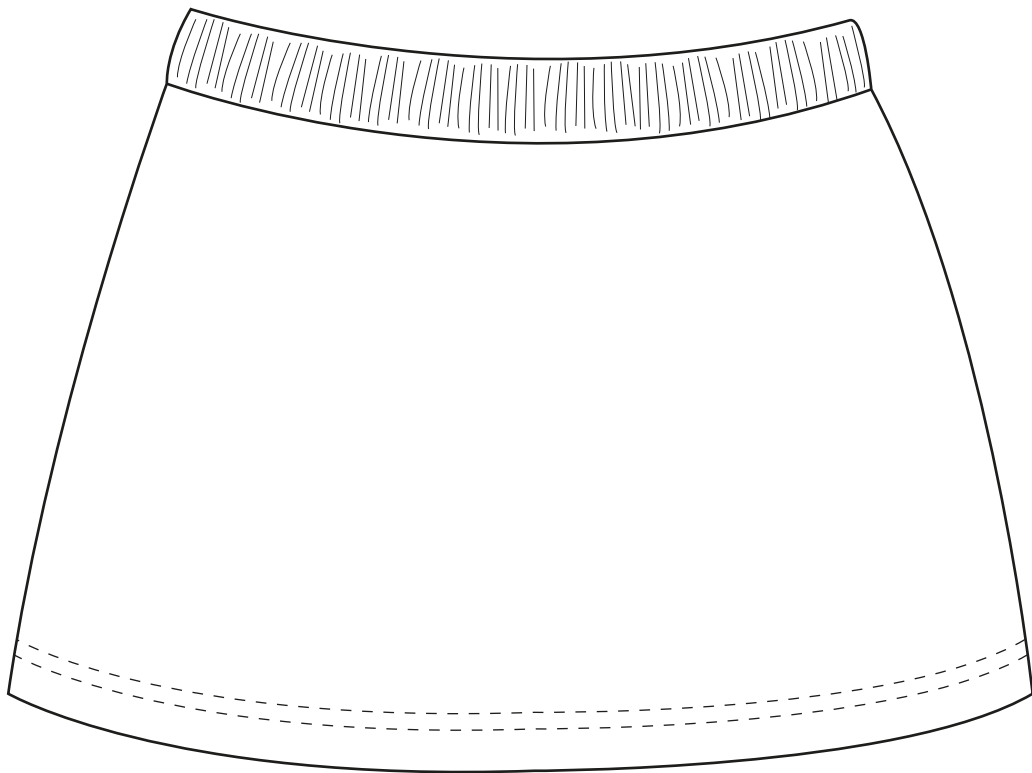

Designing my
VERA SKIRT



Designing my
VERA SKIRT

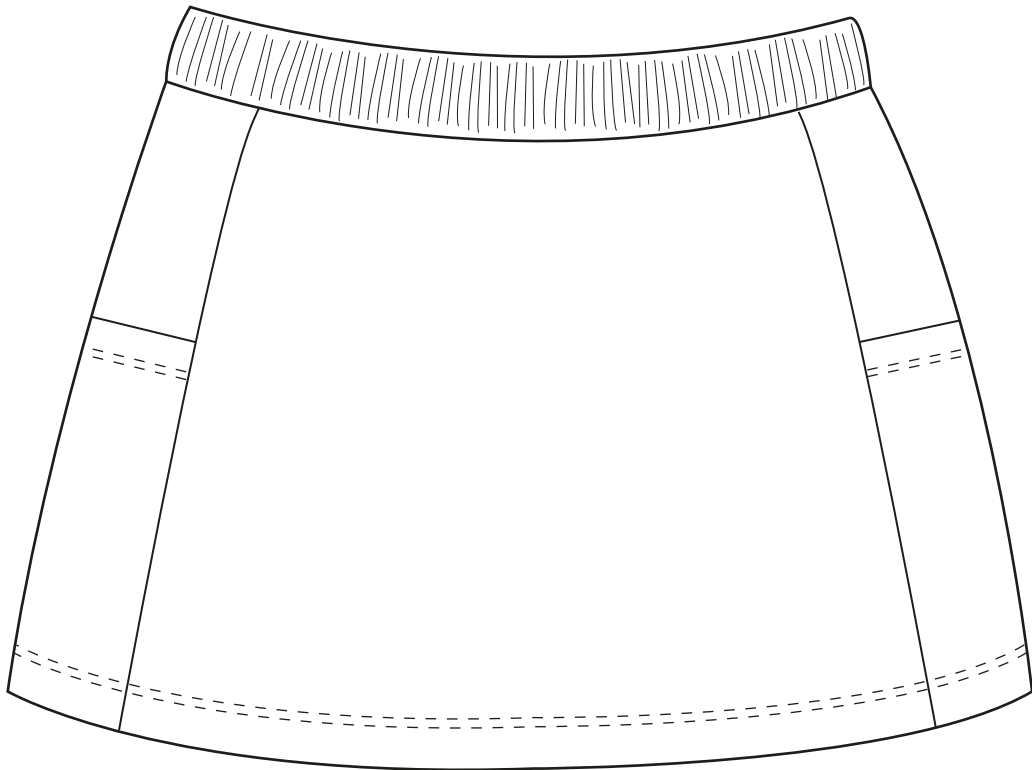


MAIN FABRIC: _____

WAISTBAND: _____

STRING: _____

Designing my
VERA SKIRT



MAIN FABRIC: _____

WAISTBAND: _____

SIDE PANELS: _____

POCKETS: _____

STRING: _____