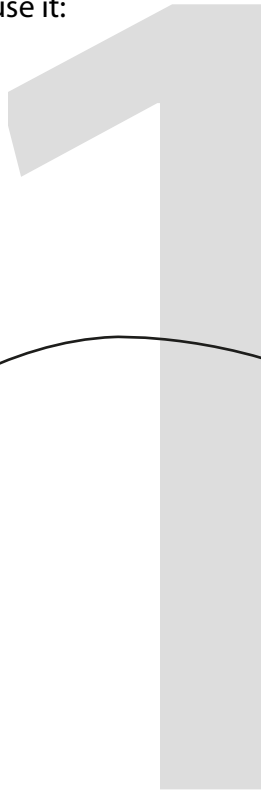


# threads

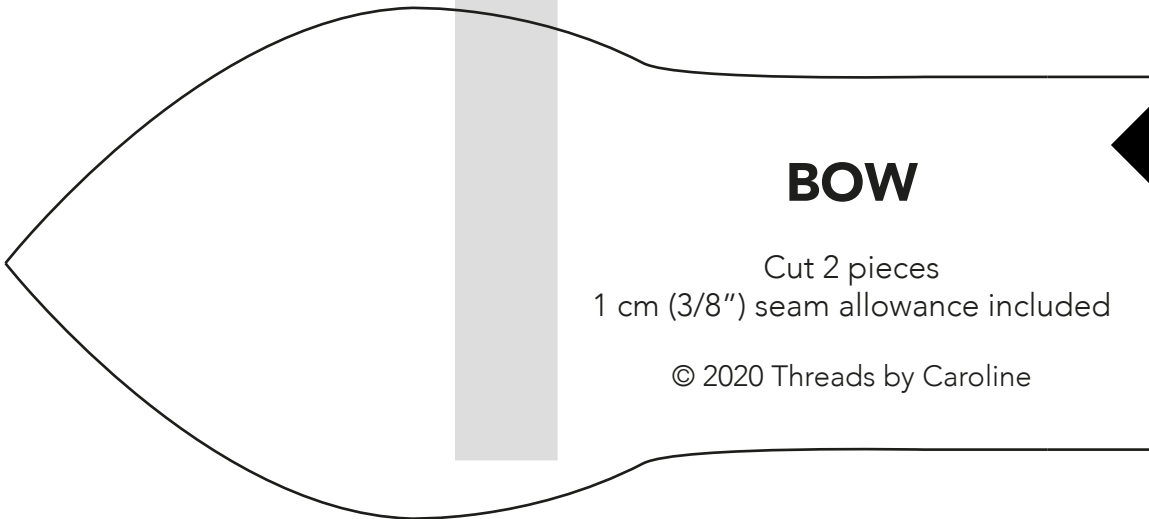
BY CAROLINE 

Use this bow pattern for a pattern hack with our beanie pattern Sigge & Siri made by Matilda Essebro.

Tutorial on how to use it:



Beanie pattern:



## BOW

Cut 2 pieces  
1 cm (3/8") seam allowance included

© 2020 Threads by Caroline

