



SUPREME GLIDE

HIGH QUALITY ALUMINIUM UNCORDED TRACK

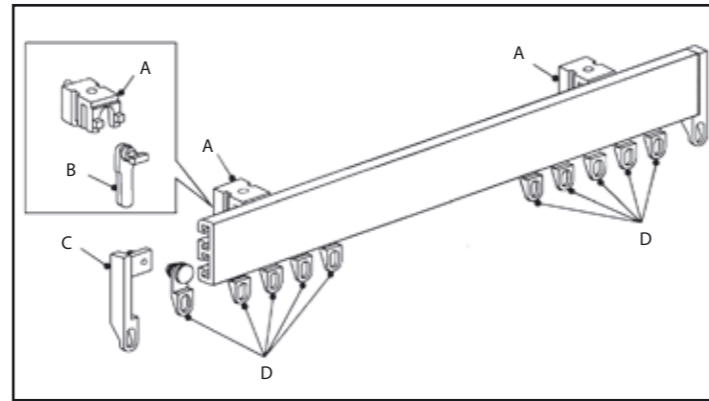
Lengths 125cm - 500cm
Maximum Curtain Weight 15.9kg (35lbs)
Read all instructions carefully before installation

IMPORTANT

PLEASE NOTE THIS RAIL IS SUITABLE FOR REVERSE BENDS WHEN CEILING FIXING ONLY. A RADIUS OF 10" MUST BE MAINTAINED TO ENSURE PERFECT OPERATION BY USING THE BENDING GUIDE OVERLEAF.

PLEASE ENSURE THAT ENOUGH CLEARANCE IS GIVEN TO AVOID CONTACT WITH THE WALL WHEN COMING BACK OUT OF THE BAY.

THE RAIL MUST BE BENT WITH THE REAR CHANNELS FACING THE WINDOW.



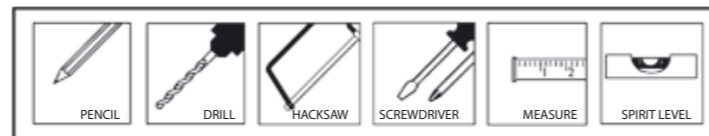
TRACK LENGTH AND COMPONENTS

Track (cm)	125	150	175	200	225	250	300	350	400	500	
BRACKETS	A	4	4	5	6	6	7	8	9	11	13
LEVERS	B	4	4	5	6	6	7	8	9	11	13
ENDSTOPS	C	2	2	2	2	2	2	2	2	2	2
GLIDERS	D	16	18	22	26	28	32	38	44	50	62
JOINER	-	-	-	-	-	-	1	1	1	1	1

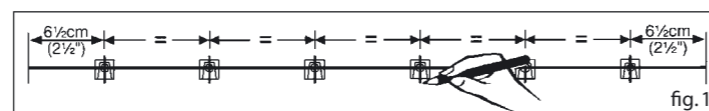
PACK INFORMATION

This pack contains everything you need to fix this track to a wooden batten pre-installed to a wall or ceiling. If fixing to plaster/ masonry, medium size wall plugs (suitable for No.6, 8 & 10 screws) and a 6mm dia. masonry drill will be needed. When fixing to Dry Line or studed walls ensure the correct fixings are used. If you are unsure please seek advise.

1. TOOLS REQUIRED



2. BRACKET SPACING



STRAIGHT RUNS - 125cm to 250cm

Using a spirit level mark a straight line along the wall, ceiling or batten to the required track length. Mark the end bracket positions 6.5cm in from each end. Mark equally spaced positions for remaining brackets as shown in fig.1

STRAIGHT RUNS - 300cm to 500cm

Follow steps above but ensure bracket positions are marked 4cm either side of the centre. This allows for the track joiner to be positioned correctly and gives maximum support when brackets are locked into position. (see section 4)

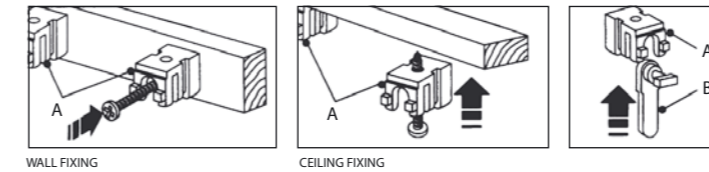
NOTE: FOR BAY WINDOWS BRACKET SPACING IS INDICATED IN THE DIAGRAMS OVERLEAF

(Ensure all remaining brackets are equally spaced between those shown with specific distances from corners)

Additional fixing brackets are sold separately if required from your local Swish stockist - part number WD310W0005K

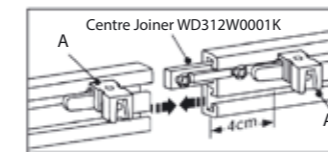
3. BRACKET FIXING

Once you are happy with the positions marked, secure fixing brackets as required ensuring the correct drill bit & fixings are used. Locate Locking Lever (B) into each bracket in a vertical position as shown.



4. JOINING TWO LENGTHS OF TRACK

Two lengths of track can be easily joined to accommodate the widest windows using a WD312W0001K centre joiner, supported with brackets (A) positioned 4cm each side.



5. SHORTENING THE TRACK

125cm to 250cm

Cut from one end only

300cm to 500cm

Cut equal amounts from each end (eg: to reduce track by a total of 10cm, cut 5cm from each end)

NOTE: Ensure endstops (C) are removed prior to cutting.

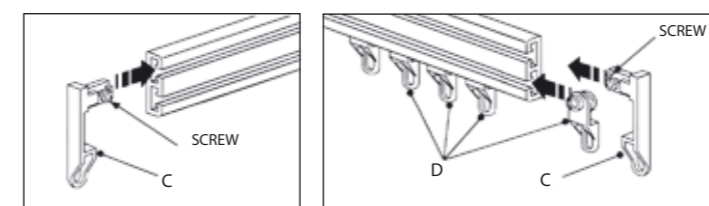
Using your finished track length calculated in section 2 or by using the * Bay window calculator, mark a line onto the track and cut square using a hacksaw. Be sure to remove any sharp edges.

*FOR BAY WINDOWS REFER TO BAY WINDOW CALCULATOR OVERLEAF

6. ASSEMBLING THE TRACK

Replace End stops (C) as shown below and tighten screw to secure.

Additional gliders (D) can be added if necessary. These are available as an accessory from your local Swish stockist (Part Number WL182W0010Y)

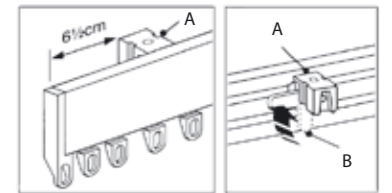


7. INSTALLATION

NOTE: THE TRACK MUST BE PRE-BENT BEFORE INSTALLATION USING THE BENDING GUIDE OVERLEAF.

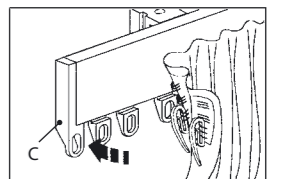
Starting at one end offer the upper channel of track up to fixing bracket (A) and secure by rotating Lever (B) through 90° to a horizontal position.

When installing longer lengths, assistance may be required to support the rail at the other end.



8. HANGING YOUR CURTAINS

Insert your Swish WN800W curtain hooks into your curtain header tape at equal distances ensuring the correct number of hooks are used (total number of Gliders & Endstops)



Offer curtain up to track and locate curtain hooks into Gliders securing the last hook into the endstop (C).

9. MAINTENANCE

This product is high quality and will require minimum maintenance.

The rail & fittings may be cleaned by wiping with a warm soapy cloth. Be sure to dry thoroughly

SUNFLEX

Keys Park Road, Hednesford, Cannock, Staffordshire WS12 2FR
Customer Helpline: 01543 271421



SUPREME GLIDE

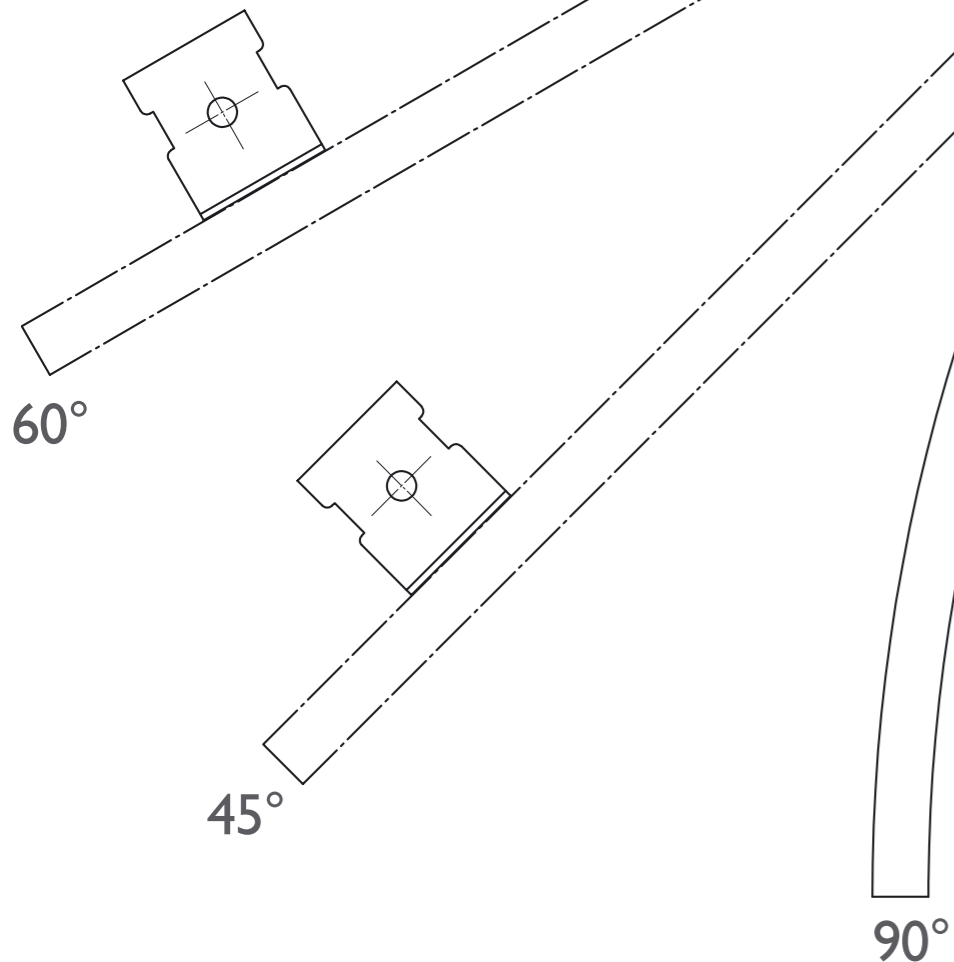
HIGH QUALITY ALUMINIUM UNCORDED TRACK

Bending Guide

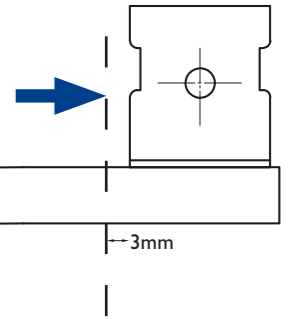
This unique bending guide is provided to assist with the installation of this product into Bay window applications using a 25.4cm (10") radius.

Please ensure you read all instructions carefully before you start.

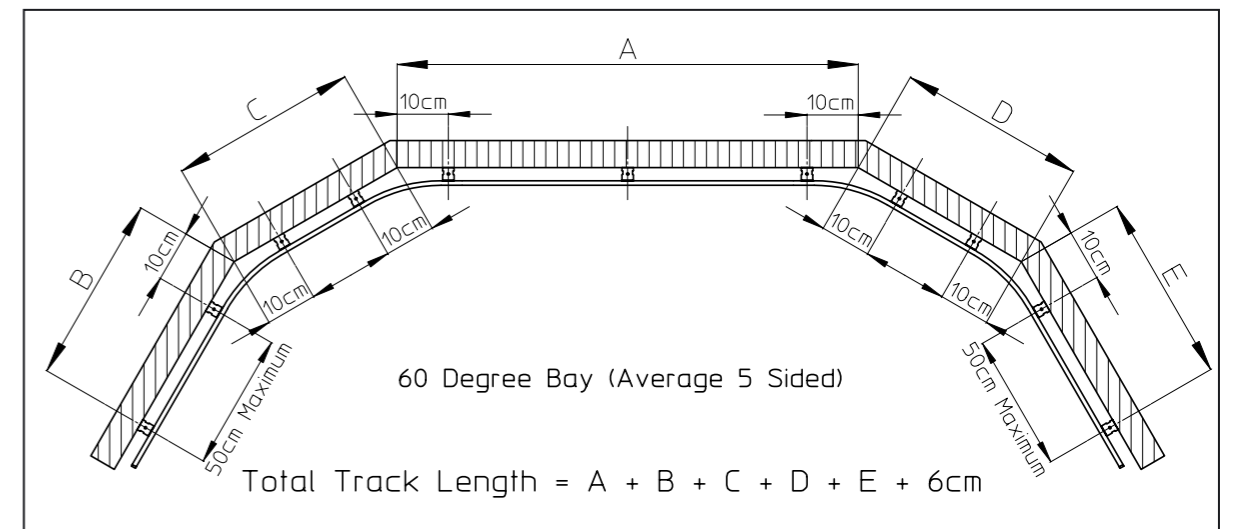
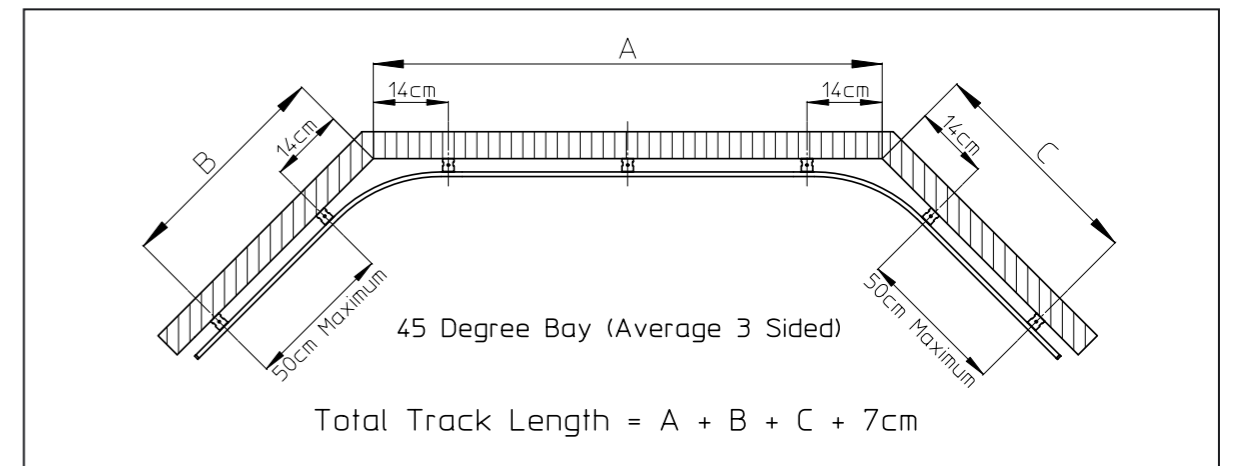
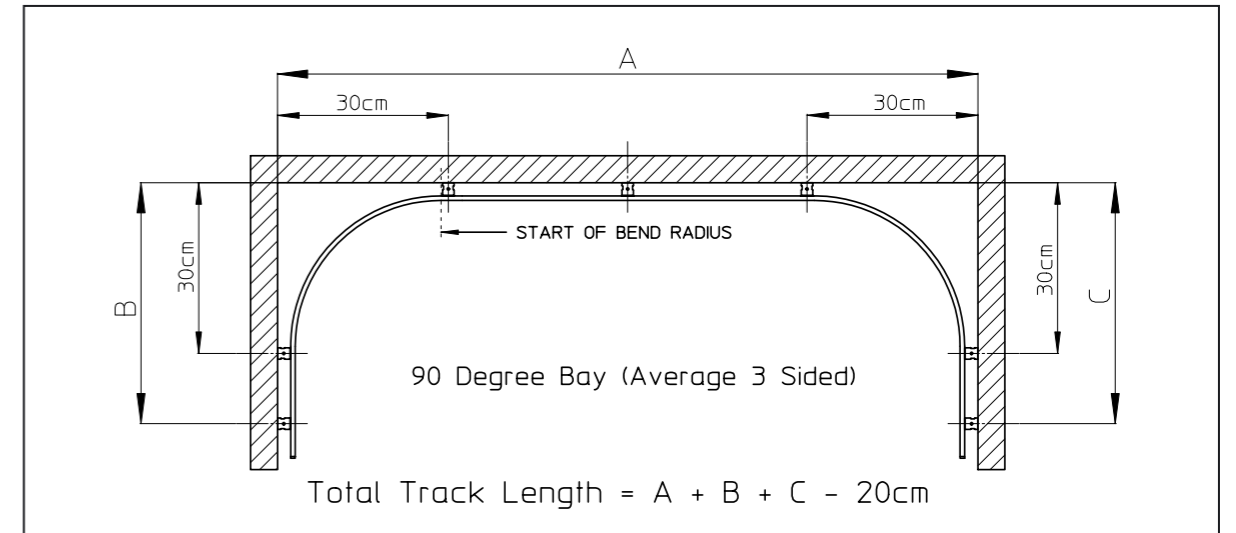
Be careful not to over bend, kink or twist the profile during the bending process as Aluminium profiles are difficult to straighten once bent to shape.



Start of bend radius →



Bay Window Calculator



IMPORTANT

The Bay Window Calculator is a guide only based on an average bay window.

Individual applications may differ. The total track length calculation is based on the accurate use of the Bending guide and correct bracket spacing.

Sunflex will not accept liability if the Installation instructions have not been followed correctly.

If you have any concerns regarding the installation of this product please seek advice from a professional fitter.