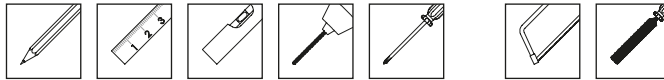


# UNCORDED CURTAIN TRACK

## Fitting Instructions

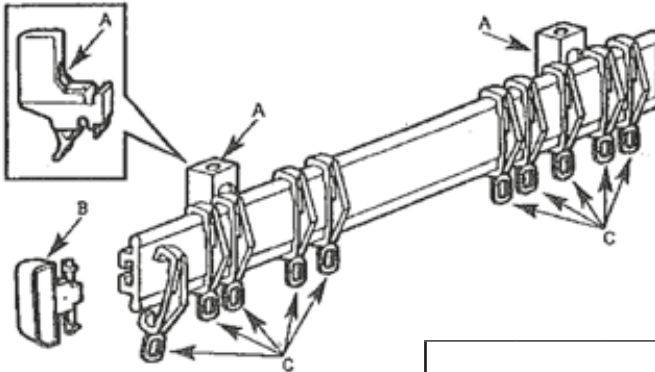
Please keep for future reference

### Tools required



Please read these instructions carefully and check the contents of the pack before attempting to assemble and fit this product.

### Pack Contents



		Length					
Parts		120cm	150cm	180cm	210cm	240cm	270cm
A	Brackets	4	4	5	6	7	7
B	End Stops	2	2	2	2	2	2
C	Gliders	16	18	24	26	30	34

### Safety Recommendation

Always use a step ladder when working at heights.

DO NOT over reach. Always move the Step Ladder so that you are in a safe working position.

DO NOT hold or lean on the track to support your weight.

We recommend you use two people for installation of larger track.

Take care when using power tools, use of a Residual Current Device (RCD) is recommended.

Always use eye protection when drilling. Beware of hidden pipe runs and cables.

No liability will be accepted for damage or injury caused by incorrectly installed or assembled product.

PLEASE KEEP OUT OF THE REACH OF YOUNG CHILDREN. SMALL PARTS - CHOKING HAZARD  
PLEASE KEEP THESE INSTRUCTIONS AND THE BATCH CODE ON THE PACKAGING FOR FUTURE  
REFERENCE IN CASE OF ANY QUERIES

## Installing the Brackets

### Wall Fixing

1. Mark a horizontal line on the wall, 10cm over the top edge of the window. (Fig.1)
2. Centre the track to the window and mark the position for the end brackets no more than 5cm from the end of the track. (Fig.1) Ensure that the track overhang is long enough to dress the curtains. The track can be cut to size if required.
3. Mark the position of the remaining brackets by distributing them equally no more than 50cm between them.
4. Drill holes and fit the correct wall plugs, if you are unsure please consult your local builders merchant or DIY store. Fix all the brackets loosely using the correct screws. (Fig.2)

**Note: If you are fitting in a bay follow fig. 4 for bracket positioning.**

### Ceiling fixing

1. Mark a line parallel to the wall where you wish to install the track. We recommend the track to be installed at least 10cm from the wall. (Fig.3)
2. Follow step 2 to 4 from the wall fixing section

### Cutting the rail

1. Measure and mark the required length of track. Using a hacksaw carefully cut to length ensuring a straight edge remains. (Fig.5)
2. Remove all burrs using a file.

### Adding the gliders and end stops (fig. 7)

1. Place one end stop on the track and tighten screw in place.
2. Slide on the gliders leaving 2 aside.
3. Locate the other end stop and tighten the screw.

### Joining the tracks (if required)

1. Slide the joining piece equally into the ends of each piece of track and tighten the retaining screws. (Fig.6)

### Installation

1. Ensure the bracket latches are secure and forward facing Fig.8.1.
2. Locate the track into the bracket Fig 8.2.
3. With the centre of the track vertically aligned with the centre of the window, click the latch into place. Fig 8.3.
4. Hook the remaining gliders into the locked position next to the end stop Fig 9.
5. Hang your curtains.

